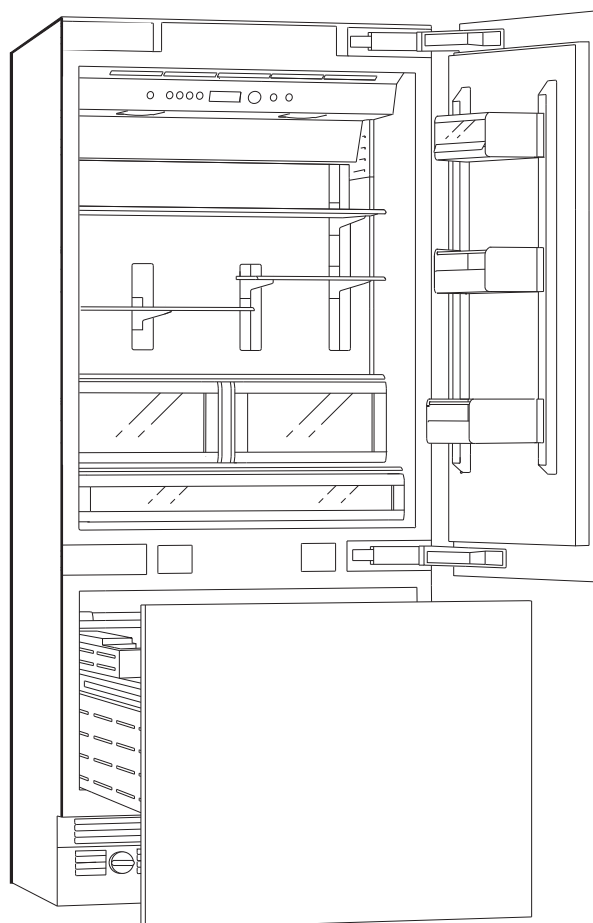


Gaggenau

INSTALLATION INSTRUCTIONS
INSTRUCTIONS D'INSTALLATION
INSTRUCCIONES DE INSTALACIÓN

RB 492

RB 472



INSTALLATION INSTRUCTIONS 4

INSTRUCTIONS D'INSTALLATION..... 36

INSTRUCCIONES DE INSTALACIÓN 70

Content

Important Safety Instructions 6

Installation options 7

Individual appliance 7

Side-by-Side 7

Individual appliances with partition 7

Individual appliance at the end of the kitchen 7

Installing the appliance 8

Installation location 8

Atmosphere grades 8

Stable installation 8

Installation niche 8

Neighbouring kitchen furniture 8

Floor 8

Aligning the appliance 9

Electrical connection 9

Water connection 9

Dimensions of the installation niche 10

Required accessories and tools 11

Supplied accessories 11

Optional accessories 11

Other 11

Tools 11

Installation instructions 12

1. Check the installation niche 12

2. Removing the packaging 12

3. Transport of the appliance 13

4. Installation preparation 13

5. Special installation 13


A	1. Attaching the anti-tip brackets 14
	2. Attaching an alternative anti-tip device 15
	3. Attaching the edge protectors 15
	4. Attaching the fastening sheets (lateral) 15

B	1. Pushing the appliance into the installation niche 16
	2. Aligning the appliance in the niche 17
	3. Attaching the appliance to the niche ceiling 18
	4. Fastening the appliance to the side wall of the installation niche 19

C	1. Attaching the toe kick panel 20
	2. Aligning the base panel 20
	3. Switching the appliance on for the first time 21
	4. Preparing the furniture doors 21
	5. Loading the appliance door 21
	6. Removing positioning aids 22
	7. Fastening the adjusting rib to the furniture door (refrigerator compartment) 22
	8. Fastening the fixing rib to the furniture door (refrigerator compartment) 23
	9. Fastening the adjusting rib to the furniture door (freezer compartment) 24
	10. Fastening the fixing rib to the furniture door (freezer compartment) 24
	11. Mounting the furniture door (freezer compartment) 25
	12. Mounting the furniture door (refrigerator compartment) 26
	13. Screw on the lower fixing angle 27

D	1. Attaching the covers	28
	2. Tensioning the hinge springs (refrigerator compartment)	29
	3. Mounting of air separator	29

Special installation steps **30**

	Changing over the door hinges	30
	Side-by-Side installation	32
	Preparing to connect the water	34
	Connecting the water to the appliance	35
	Adjusting the door opening angle	35

Important Safety Instructions

These mounting instructions are designed to help you install your new appliance.

The manufacturer cannot be held liable for mounting which has been improperly carried out. We recommend that you allow a qualified specialist to set up and switch the appliance on for the first time.

Following all information and keeping to the instructions are preconditions for mounting and switching the appliance on safely for the first time.

Keep the mounting instructions safe for use later on.

Before setting up and switching the appliance on for the first time, read the mounting instructions fully and thoroughly.

WARNING

These appliances are top-heavy and must be secured to prevent the possibility of tipping forward.

Anti-tip protection is required.

Keep doors closed until the appliance is completely installed and secured per installation instructions.

Due to the weight and size of this appliance, and to reduce the risk of personal injury or damage to the product – TWO PEOPLE ARE REQUIRED FOR PROPER INSTALLATION.

This appliance must be properly grounded. See the section on “Connecting the power”.

Use this appliance only for its intended purpose.

Immediately repair or replace electric service cords that become frayed or damaged.

Unplug the appliance or switch off the fuse before cleaning or making repairs.

Repairs should be made by a qualified service technician.

CAUTION

Installation of this appliance requires basic mechanical, carpentry and plumbing skills.

Proper installation is the responsibility of the installer.

Product failure due to improper installation is not covered under the Appliance Warranty.

See the Owner's Manual for warranty information.

Important

Save these instructions for local inspector's use. Observe all governing codes and ordinances.

Note to Installer – Be sure to leave these instructions with the Consumer.

Note to Consumer – Keep these instructions with your Owner's Manual for future reference.

General

These installation instructions are intended for use by qualified installers. All connections for water, electrical power and grounding must comply with local codes and ordinances and be made by licensed personnel when required. In the absence of a local code:

- In the U.S.A., in accordance with the National Electric Code, ANSI/NFPA70 – latest edition/State and Municipal codes and/or local codes.
- In Canada, in accordance with the Canadian Electric Code C22.1 – latest edition/Provincial and Municipal codes and/or local codes.

Definitions

WARNING

This indicates that death or serious injuries may occur as a result of not observing this warning.

CAUTION

This indicates that minor or moderate injuries or damage may occur as a result of not observing this warning.

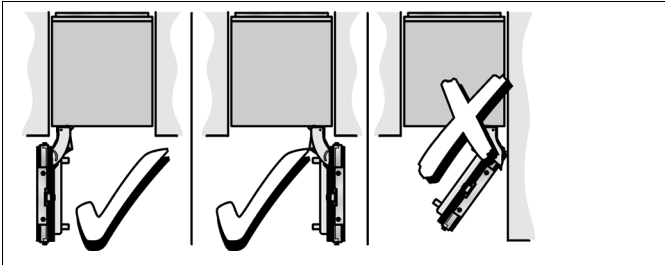
Note:

This is used to draw the user's attention to something in particular.

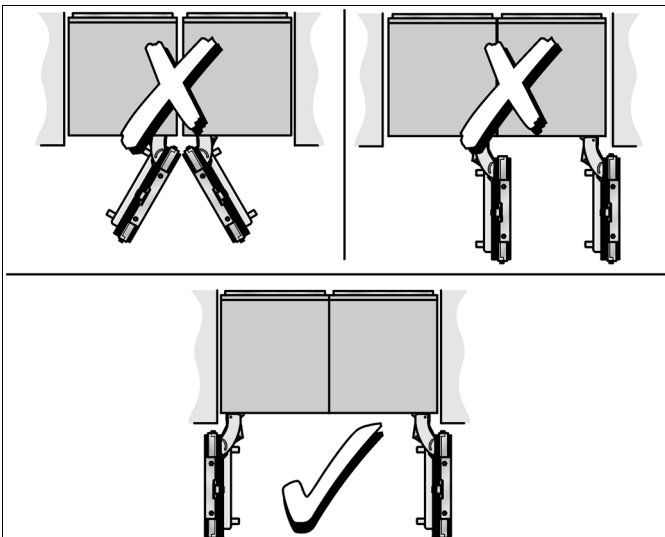
Installation options

Various installation possibilities are available.
These are only limited by the kitchen design.

Individual appliance



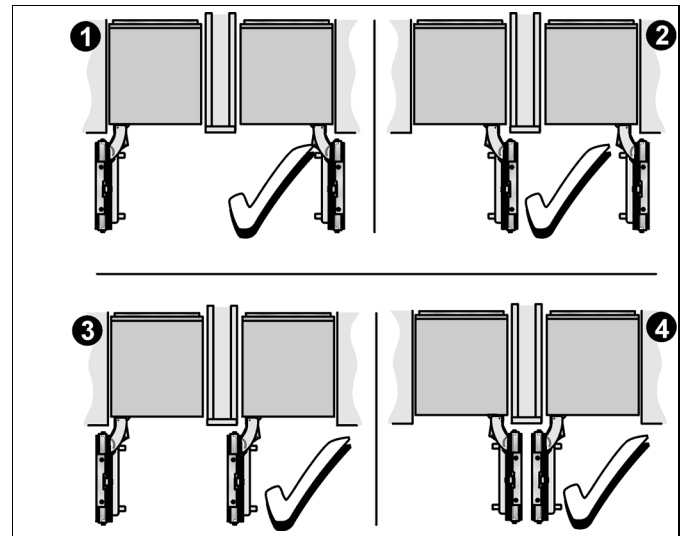
Side-by-Side



If two appliances are set up next to each other, a sealing kit for Side-by-Side combination should be used in order to guarantee a stable connection.

For further information see section "Tools and Accessories which are needed".

Individual appliances with partition



- When dimensioning the partition for model 4, note the thickness of the door panels to prevent damage if the doors are opened at the same time.
- Use the Heater Kit for Side-by-Side Installation if the gap between the appliances is less than 6" (160 mm). See the section on "Required accessories and tools/Optional accessories".
- Minimum thickness of the partition $\frac{5}{8}$ " (16 mm).

Individual appliance at the end of the kitchen

If one side of the appliance is visible, a side panel must be used.

The side panel must be connected firmly to the wall, the floor and overhead cabinet/fixtures before the appliance is placed in the installation niche.

The dimensions of the side panel are taken from the opposite installation niche wall. During installation ensure that the installation niche is square and the proper size.

Installing the appliance

Installation location

CAUTION

The appliance is very heavy.

Appliance width	Weight (empty)
Fridge-Freezer combination 30" (75.6 cm)	440 lbs (198 kg)
Fridge-Freezer combination 36" (90.3 cm)	558 lbs (251 kg)

The appliance should be installed in a dry, well ventilated space.

The location should not be exposed to the direct sunlight and should not lie next to a source of heat such as a cooker or a radiator etc. If installation next to a source of heat cannot be avoided, either a suitable insulating plate should be used or you should keep to the following minimum distances:

- 1/4" (3 cm) to electric or gas cookers.
- 11¹³/₁₆" (30 cm) to an oil-fired or solid-fuel cooker.

The floor of the installation location must not give way; if required, reinforce floor. To ensure that the ice maker functions correctly, the appliance must be upright.

Climatic classes

The climate class can be found on the rating plate. The climate class indicates within which ambient temperatures the appliance can be operated.

Climatic class	Permitted ambient temperature
SN	50 °F to 90 °F (+10 °C to 32 °C)
N	61 °F to 90 °F (+16 °C to 32 °C)
ST	61 °F to 100 °F (+16 °C to 38 °C)
T	61 °F to 110 °F (+16 °C to 43 °C)

Stable installation

The appliance is very heavy and has a tendency to tilt forwards when the appliance door is opened. The appliance must not be switched on until there is no possibility of the appliance tilting over.

The safest method of installing the appliance in a stable position is to use the supplied anti-tip brackets.

If the installation niche is adequately stable and the appliance can be attached securely to the upper and side walls of the niche, it may be possible to dispense with the anti-tip brackets. A prerequisite for this is always a firm connection between the niche and back wall!

In the case of doubt, the help of architect or specialist builder should be enlisted.

Installation niche

It is important to keep to the stated dimensions of the installation niche with a view to trouble-free fitting, and the subsequent appearance of the kitchen furniture frontage.

Special care should be taken that the niche has right angles. The side walls should not exhibit areas that stick out, projections or unevenness.

You should determine the right angles of the installation niche with appropriate means, e.g. by measuring diagonally and by using a spirit level.

The side walls and the upper end of the installation niche must be at least 5/8" (16 mm) thick.

Neighbouring kitchen furniture

The new appliance is screwed down tightly using parts of the cabinet and the upper cabinet.

Care should therefore be taken, that all upper cabinets to which something has been fastened are securely connected to the subsurface or wall by appropriate means.

The minimum thickness of the base should be a minimum of 3/4" (19 mm).

Floor

The subsurface must be level and even in order to ensure that the appliance is securely installed and works correctly.

The subsurface must be made from a hard, non-flexible material.

The floor of the installation space must have the same height as the rest of the space.

On account of the weight of a fully-laden appliance, it is necessary to have a bearing subsurface. In the case of doubt, the help of architect or specialist builder should be enlisted.

Aligning the appliance

To ensure that the appliance functions correctly, it must be set level with a spirit level.

If the appliance is not level, water may flow out of the ice maker, ice cubes may be irregular or the doors may not close properly.

Electrical connection

WARNING

- Avoid the risk of an electric shock!
- Insert into a grounded 3-phase socket. Never remove grounding phase. Do not use any adapters. Do not use any extension cables.
- Non-compliance with these instructions may result in death, fire or an electric shock. Improper connection of the protective conductor may result in an electric shock. If you are in doubt whether the appliance has been grounded properly, have the appliance tested by a qualified electrician or service technician.

The socket must be near the appliance and also freely accessible following installation of the appliance.

The appliance complies with protection class I. Connect the appliance to 115 V/60 Hz alternating current via a correctly installed socket with protective conductor. The socket must be fused with a 10 to 16 A fuse.

The appliance comes with a UL registered 3-wire power cord. The appliance requires a 3-pole socket. Please observe the following table with regard to this:

Appliance	Maximum simultaneous load
Fridge-Freezer combination 30" (75.6 cm)	6.0 amps
Fridge-Freezer combination 36" (90.3 cm)	6.0 amps

Check on the rating plate whether the indicated voltage and current type correspond with the values of your power supply. The location of the rating plate can be found in the chapter entitled Customer service.

WARNING

Never connect the appliance to electronic energy saver plugs. Our appliances can be used with mains and sine-controlled inverters. Mains-controlled inverters are used for photovoltaic systems which are connected directly to the national grid. Sine-controlled inverters must be used for isolated applications (e.g. on ships or in mountain lodges) which are not connected directly to the national grid.

Water connection

CAUTION

Connect the appliance to a drinking water line.

The water may be connected only by a competent fitter according to the local regulations of the appropriate water supply company.

A cold water connection is necessary for operating the automatic ice maker. The water pressure must be between 25 and 120 p.s.i. (1,72 and 8,25 bar). The installation must correspond to the local plumbing regulations.

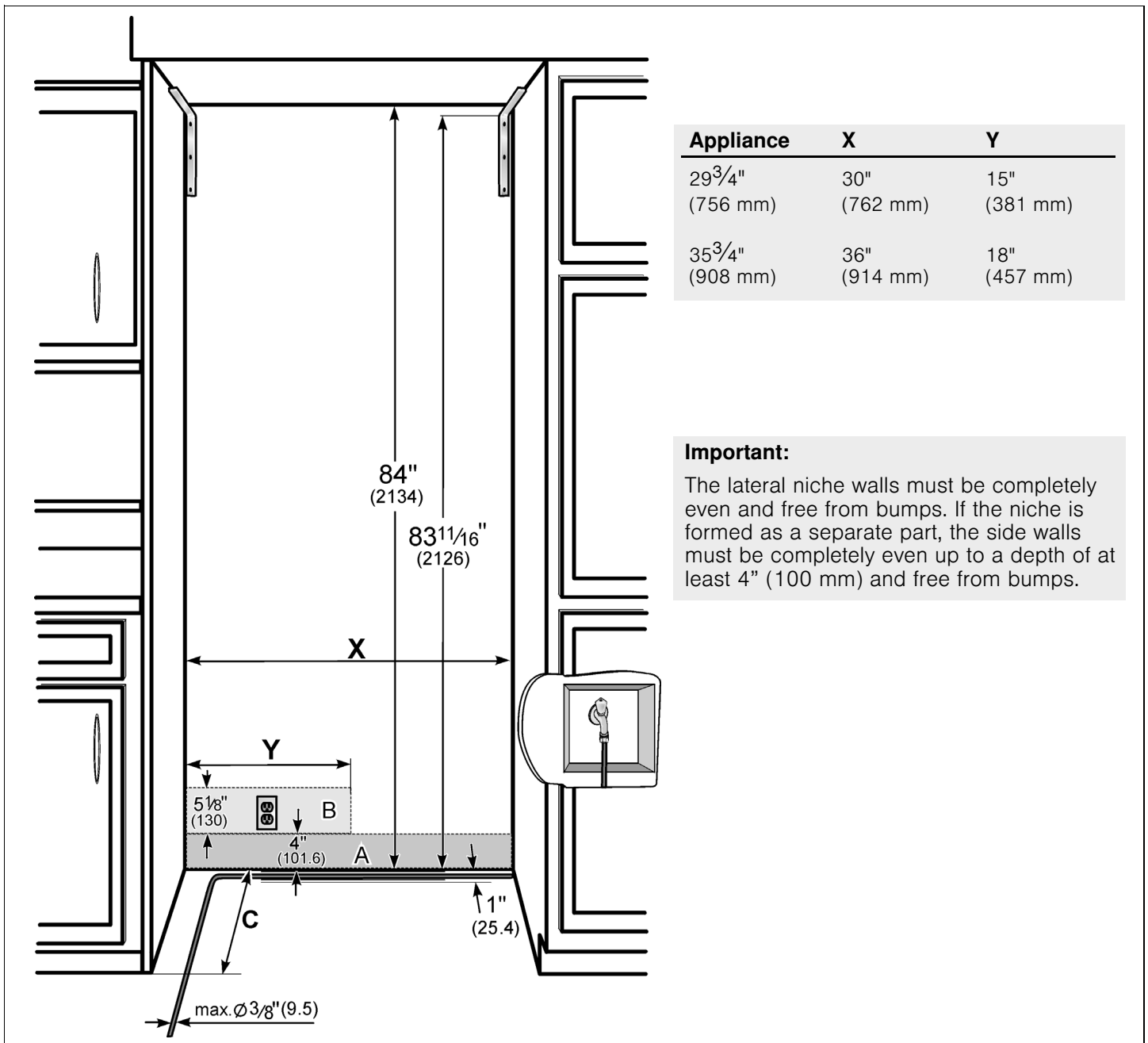
A separate shut-off valve should be installed in the cold-water inflow. The shut-off valve should not be located behind the appliance. It is recommended that you mount the shut-off valve directly next to the appliance or at another place which is easily accessible. When installing the water connection, pay attention to the permissible installation area for the water mains.

For connection to the drinking water mains use only water pipes which are suitable for drinking water. Observe national regulations and the connection conditions of the local water supply companies.

When installing the water connection, observe the permitted installation areas for the pipe. For the permitted installation areas and dimensions see "Dimensions of the installation niche".

The maximum outside diameter of the water mains (without connecting pieces) is $\frac{3}{8}$ " (9.5 mm).

Dimensions of the installation niche



Legend:

A Area for installation of the water connection

It is recommended the water-box be placed adjacent to the installation niche, so that it can be accessed for service without uninstalling the appliance. If this is not possible, place the recessed water box within the shaded area.

B Area for installation of the power connection

C Opening depth of niche, depending on kitchen design

C = 24" (610 mm) minimum

Required accessories and tools

Supplied accessories

- Installation instructions
- Operating instructions
- Installation kit

Optional accessories

Installation accessories for Side-by-Side installation

For permanent connection of two individual appliances, e.g. Freezer next to Refrigerator.

Lateral additional heating

If the gap between the appliances is less than 6" (160 mm).

Connecting element for furniture doors

For connection of two door panels (see explanation in Section "4. Preparing the furniture doors"). Can be used for standard height door panels without further preliminary work.




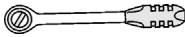
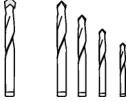
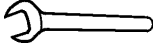



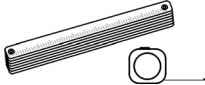
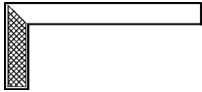


Miscellaneous

- Stepladder
- Dolly, hand truck
- Hammer drill for drilling holes in wall or floor
- Bits according suitable for material and in different sizes
- Wooden beam (cross section min. 3" x 4") as an alternative tip protection, length according to the width of the installation niche
- Wooden screws in different sizes
- Thin plywood sheet, particle board or cardboard to protect the floor from damage
- Suitable material for covering and protecting furniture (e.g. protective sheets)
- Adhesive tape

Note:

Before using, check whether the removed adhesive tape leaves adhesive residue on the work surfaces! Otherwise do not use on high-quality work surfaces.

Tools

	Cordless screwdriver
	T20 Torx-bit magnetic holder
	T20 Torx screwdriver
	5/16" (8 mm) socket wrench
	Various size drills
	Open end wrench 1/2" (SW 13 mm)
	Multigrip pliers
	Adjustable wrench
	Cutter with adjustable blade
	Metal tape measure, folding ruler
	Square
	2' (60 cm) and 4' (1,2 m) spirit levels
	Level, min. 4' (1,2 m) long

Installation instructions

The following installation instructions describe the installation steps for various appliance types.

Therefore the diagrams may be a general representation of your appliance.

Particular reference is made to special installation steps for individual appliance types..

1. Check the installation niche

⚠ CAUTION

Use the following check list for a safe and trouble free installation.

1. Check the floor.
See section on “Installing the appliance/Floor”.
2. Check the dimensions of the installation niche, see “Dimensions of the installation niche”.
3. Check that the installation niche is square.
4. Check location of the socket.
See section on “Electrical connection” and in the section on “Dimensions of the installation niche”.
5. Check location of the water connection (only for appliances with ice maker).
See section on “Water connection” and in the section on “Dimensions of the installation niche”.
6. Check attachment of the adjacent cabinet/fixtures. All cabinet parts in the vicinity of the appliance must be connected securely to the wall.
7. Check that adjacent cabinet/fixtures have adequate clearance (door opening angle).

2. Removing the packaging

⚠ WARNING

Risk of personal injury and damage to the appliance!

- The appliance could tilt over when unpacking.
- The appliance could tilt over when the appliance door is opened.
- The appliance is very heavy.
Data relating to the weight when empty is found in the following table:

Appliance width	Weight (empty)
Fridge-Freezer combination 30" (75.6 cm)	440 lbs (198 kg)
Fridge-Freezer combination 36" (90.3 cm)	558 lbs (251 kg)

Note:

Check appliance for damage in transit.

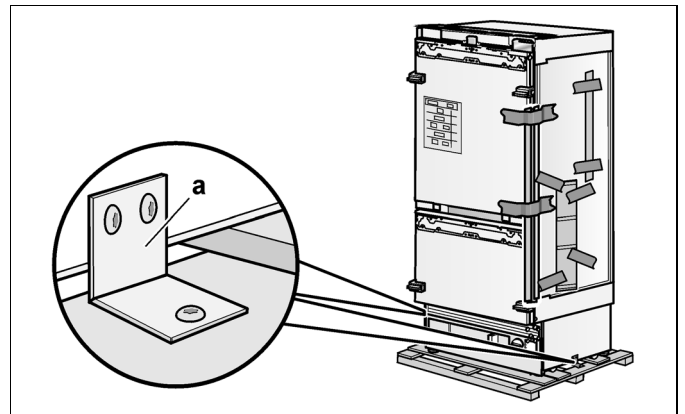
Do not install the appliance if it is visibly damaged. If in doubt, contact your dealer.

To avoid floor damage:

1. Remove the packaging carton and be careful not to damage the surface of appliance.
2. Place packaging cardboard or plywood under the appliance.
3. Remove accessories from the outside of the appliance.

Save adhesive tape which was used to attach the supplied accessories to the appliance. It can be used subsequently for attaching an edge protection to the installation niche walls (see section on “A / 3. Attaching the edge protectors”).

4. Remove transportation protection devices (a) and lift appliance off the pallet – appliance is very heavy!



5. Carefully open the appliance – risk of tipping over – and remove accessories and installation materials from inside the appliance. Close the door again.

Note:

Do not remove transportation safety devices which protect the shelves and storage compartments inside the appliance until the installation is complete, otherwise the parts may be damaged.

3. Transport of the appliance

⚠ WARNING

Be careful, otherwise people who are helping may be injured or the appliance may be damaged.

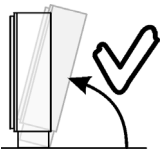
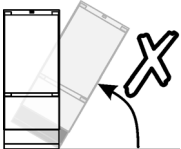
The appliance is very heavy.

The appliance is 83 1/8" (2126 mm) tall. If the appliance cannot be transported in an upright position, the appliance can be transported horizontally.

Note:

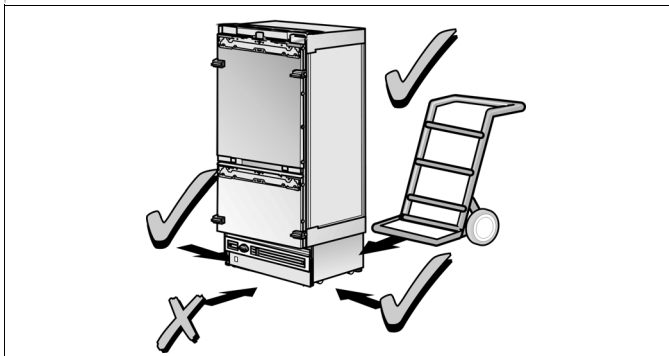
Do not raise up the appliance via the side panels. Risk of damage to the appliance!

When raising up the appliance, observe the required minimum height at the installation location according to the following table:

Raise up via appliance rear	Do not raise up from appliance side
	
Minimum height 86"/2185 mm	Do not raise up the appliance via the side panels!

Note:

Always use the appliance dolly from the rear side of the appliance. Never push it in from the front under the appliance. Risk of damage to the appliance.

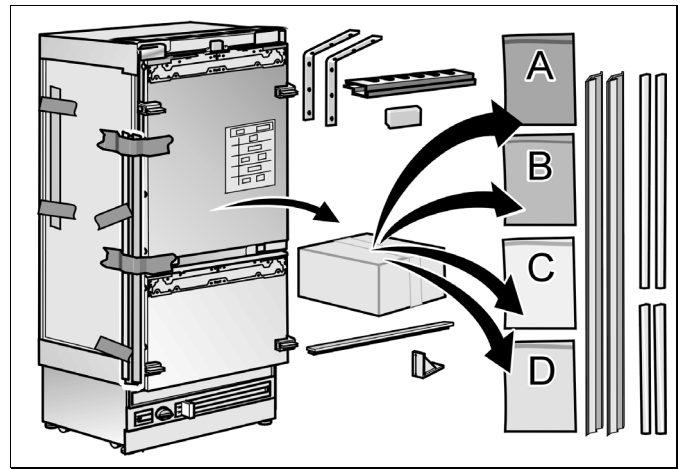


1. Transport the appliance to a suitable installation location with suitable means of transportation (trolley, lifting truck or hand).
2. Secure the appliance during transportation to prevent it from tipping.

4. Installation preparation

Unpack installation materials and accessories.

To simplify installation, the packages are identified with labels A, B, C and D corresponding with the manual sections.



5. Special installation

The following symbol indicates that additional steps need to be taken before proceeding to the next chapter.

Special installation steps are described after section D.



- Change over door hinge, see "Changing over the door hinges".
- Side-by-Side installation, see "Side-by-Side installation".
- Connecting the water, see "Preparing to connect the water" and „Connecting the water to the appliance“.
- Door limitation pin, see "Adjusting the door opening angle".

A 1. Attaching the anti-tip brackets

⚠ WARNING

Risk of injury and damage!

Assure that there are no electrical wires or plumbing in the area which the screws could penetrate.

⚠ WARNING

Risk of injury! Always wear safety glasses and other necessary protective devices or apparel when installing or working with dowels.

Important note:

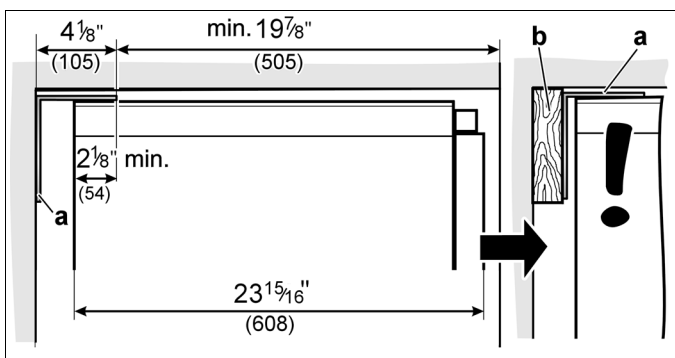
If a Side-by-Side set up of two appliances is envisaged, the anti-tip brackets are needed as installation aid. Connect the appliances before the anti-tip brackets are fixed to the wall, see "Side-by-Side installation".

Notes:

- Each appliance requires 2 anti-tip brackets.
- The set supplied, contains fastening screws for various subsurfaces. Select the fastening screws corresponding to the local conditions.
- If the anti-tip brackets, and therefore the appliance, cannot be securely attached with the supplied fastening screws, another suitable method must be used to attach the appliance securely.

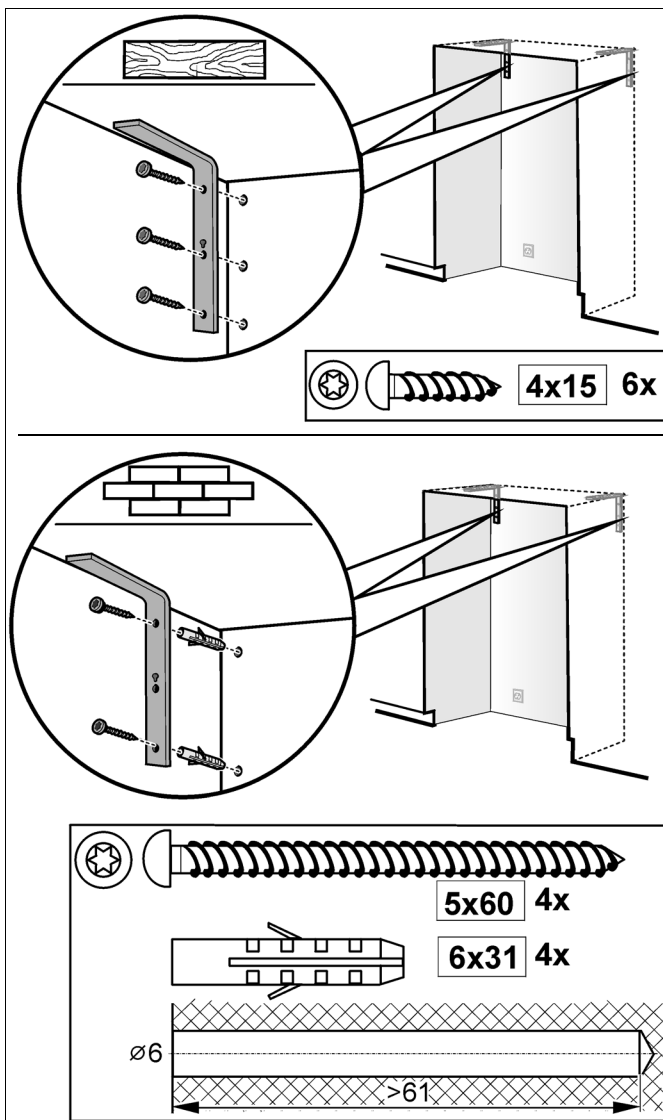
The anti-tip-brackets (a) must overlap a minimum of $2\frac{1}{8}$ " (54 mm) over the appliance to secure the appliance.

If this minimum length cannot be observed for structural conditions it is possible to do this by fastening a spacer (b) behind the anti-tip angle, e.g. a sufficiently dimensioned wood board.



The length of the plank should correspond to the width of the installation niche!

1. Specify the attachment points of the anti-tip-brackets according to the section on "Dimensions of the installation niche".
2. Attach the anti-tip-brackets completely. Be sure screws hold tight.



Important notes for fastening with dowels and screws:

- Not recommended for use in light-weight masonry material such as cinder block.
- Not recommended for use in new concrete which has not had time to cure.
- Do not use spiral-flute counterbores (countersinking tool) to drill the holes.

2. Attaching an alternative anti-tip device

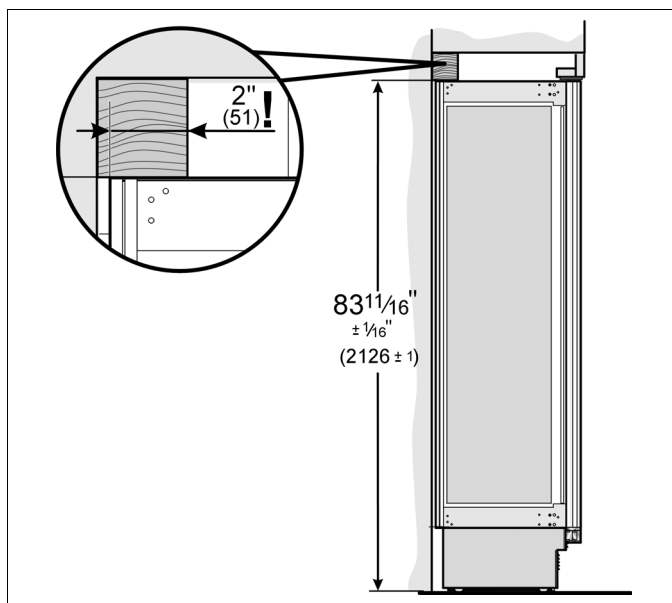
Important note:

If the anti-tip brackets cannot be attached securely, an alternative anti-tip-device can be attached. However, ensure that there is no play between the appliance and the anti-tip-device. If possible, always screw the wooden beam to existing studs on the rear panel of the installation niche.

1. Saw the wooden beam (cross section min. 3" x 4") to the required length. Length is equal to the width of the installation niche!

Note:

- If the installation niche is deeper than the appliance, select a beam which has a larger cross section or attach 2 beams.
- The beam must cover the appliance by at least 2" (50.8 mm).



2. Mark the installation height (lower edge of the beam) on the rear panel of the installation niche.
3. Select screws according to the thickness of the wooden beam: length = min. 2.5 x beam thickness, diameter #12 or #14.

Note:

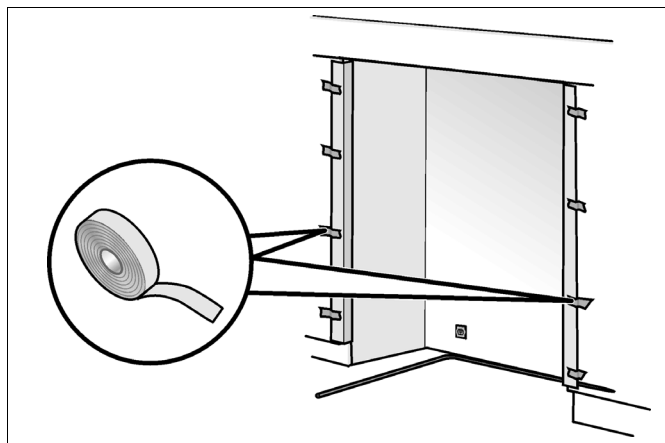
Choose the number of screws according to the installation niche width, thereby ensuring that the beam can be attached securely.

4. Depending to the subsurface:
Locate wall studs in the rear of the installation niche and accordingly transfer their location to the wooden beam
or
fasten suitable dowel into the rear wall.
5. Predrill the wooden beam.
6. Attach the wooden beam to the rear panel of the installation niche.

3. Attaching the edge protectors

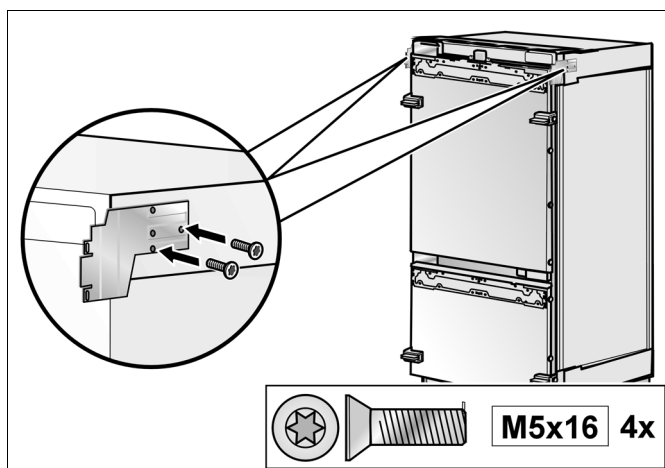
To protect the edges of the installation niche, it is recommended to attach edge protection made of a suitable material.

Attach the edge protection with the adhesive tape which was used to attach the accessories to the appliance.



4. Attaching the fastening sheets (lateral)

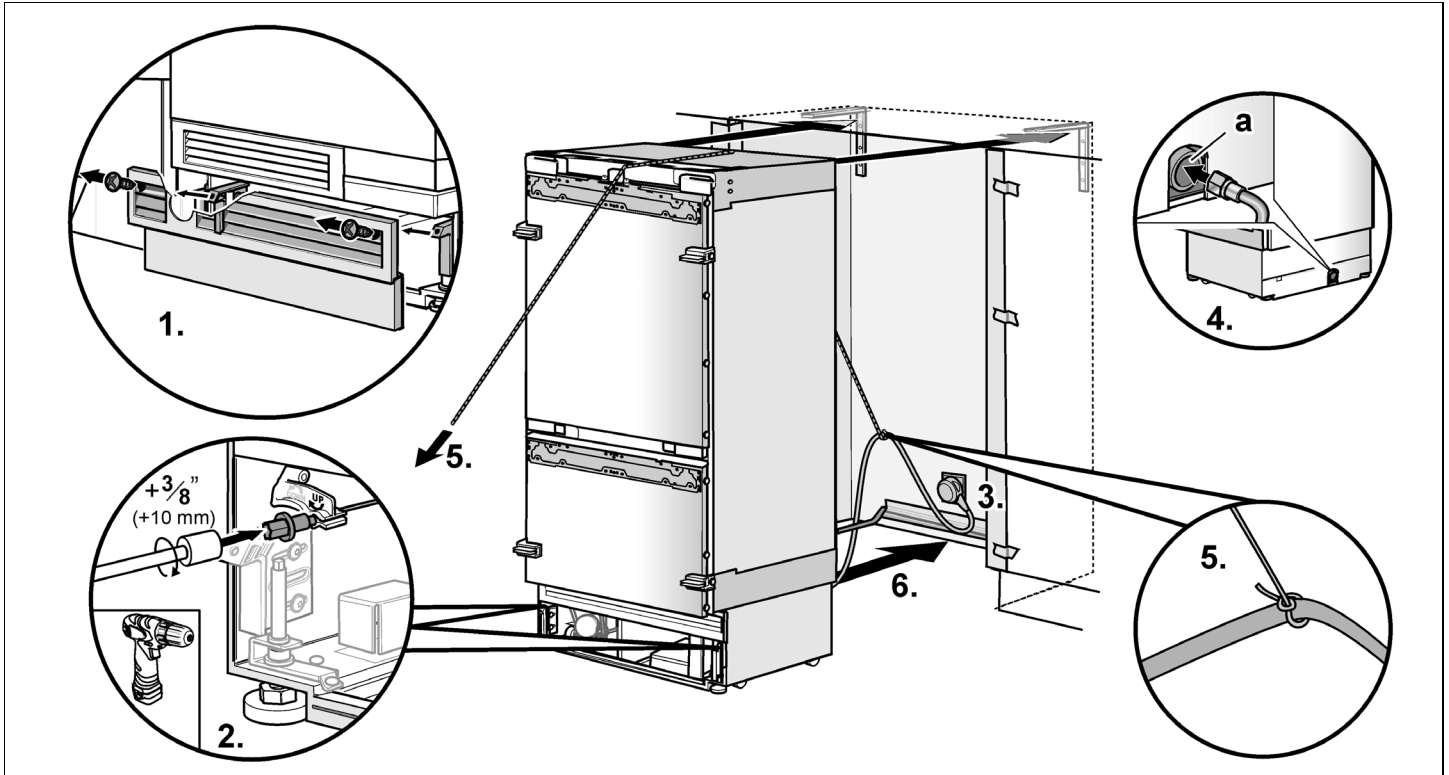
Attach the fastening sheets (lateral) to the appliance.



The following are special installation steps. Instructions are provided after section D.

- Change over door hinge, see "Changing over the door hinges".
- Side-by-Side installation, see "Side-by-Side installation".
- Connecting the water, see "Preparing to connect the water".

1. Pushing the appliance into the installation niche



⚠ CAUTION

Caution when pushing the appliance into the installation niche. Do not damage the water line or power cord.

Note:

When the floor or the appliance is not leveled in comparison to the installation niche adjust height adjustable wheels before you move the appliance into the installation niche.

1. Remove the base panel.
2. Raise the height-adjustable wheels at the back by approx. $\frac{3}{8}$ " (10 mm).
3. Put the electric plug into the socket.
4. Push the water line into the guard tube (a) at the rear of the appliance.

⚠ WARNING

The appliance may tilt when the water connection line is inserted into the protective pipe (a)!

5. Prevent the power cord from becoming caught. Tie a piece of string to the middle of the power cord and feed forwards over the top of the appliance. When pushing in the appliance, pull the cable upwards. Take care not to pinch the power cord.

or

Using adhesive tape, tape the power cord to the floor centrally behind the appliance approx. 15" (380 mm) away from the rear panel of the installation niche.

6. Carefully push the appliance into the installation niche.
7. Remove edge protection (if attached).

2. Aligning the appliance in the niche

Note:

To ensure that the appliance functions correctly, it must be set perfectly levelled.

Depth alignment

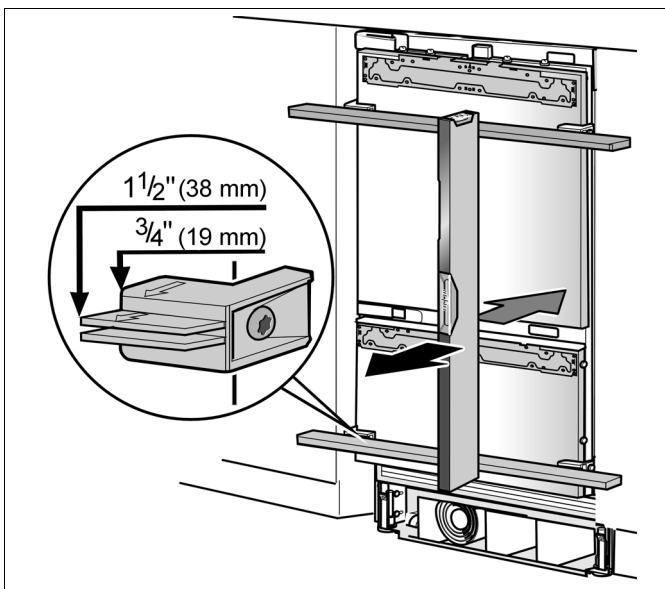
The positioning aid on the door have been designed for the following total thickness of door panels:

- $\frac{3}{4}$ " (19 mm)
- $1\frac{1}{2}$ " (38 mm)

Always take account of the possible differing thickness of the panel fronts which are to be fitted subsequently.

1. Align the appliance with the cabinet fronts using the positioning aid.

Place level over the positioning aid on the door.



Height alignment

Notes:

- Do not twist or jam the appliance inside the installation niche! When adjusting the height-adjustable feet, proceed gradually: Always alternate between left and right, etc.
- For easier adjustment of the rear feet take the weight off by slightly tilting the appliance forward.
- When using a wooden beam as an alternative anti-tip mechanism, turn the appliance as far as it will go against the wooden beam. Do not bend against the wooden beam.

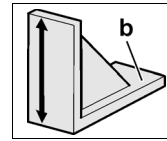
The height-adjustable feet at the front and rear can all be adjusted from the front.

Front: with open-ended wrench $\frac{1}{2}$ "
(Width across flats 13 mm)

Rear: with $\frac{5}{16}$ " (8 mm) hex nut driver via flexible shaft.

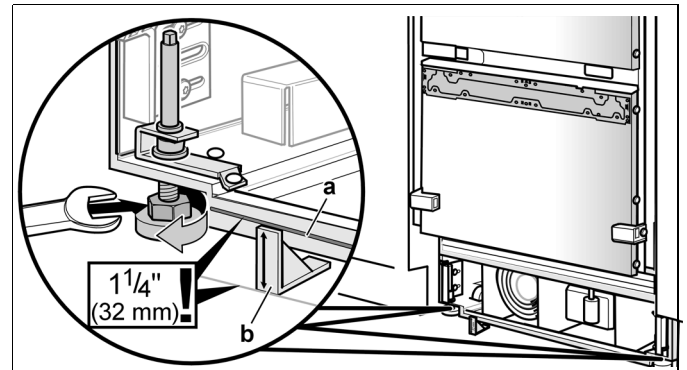
The mark (a) attached at the appliance base is used as a standard gage for height adjustment. When adjusting the height, align this mark at a height of $1\frac{1}{2}$ " (32 mm) above the floor.

It is very important to comply with this dimension for the subsequent alignment of the furniture fronts.

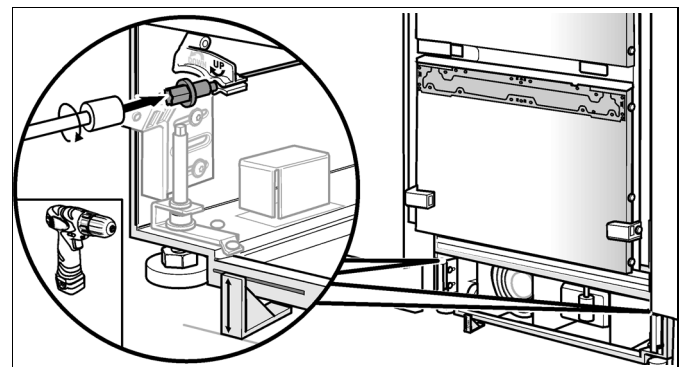


The height adjustment gauge (b) is used to set this height correctly. The upper edge of the gauge must be in alignment with the mark on the appliance.

2. Unscrew the feet at the front of the appliance until the mark (a) on the appliance is in alignment with the upper edge of the height adjustment gauge (b).



3. Align the appliance vertically using the feet at the back. Use a level!

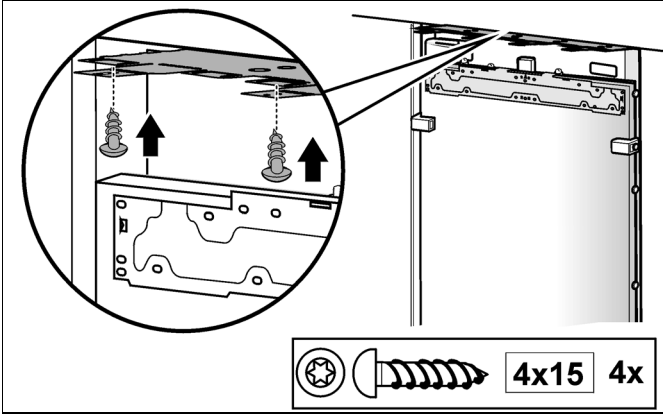


3. Attaching the appliance to the niche ceiling

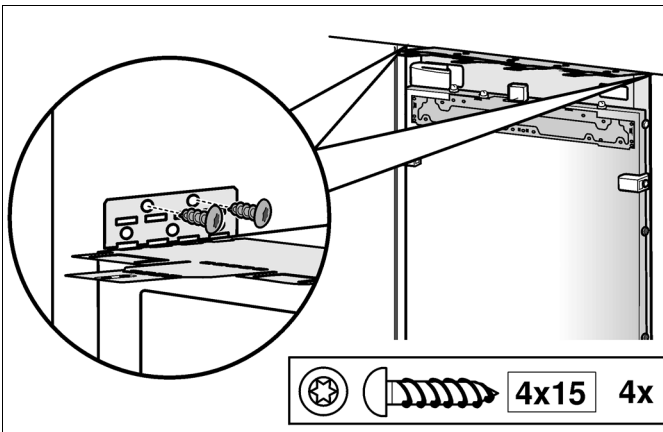
Note:

It is essential to attach the appliance to the top of the installation niche.

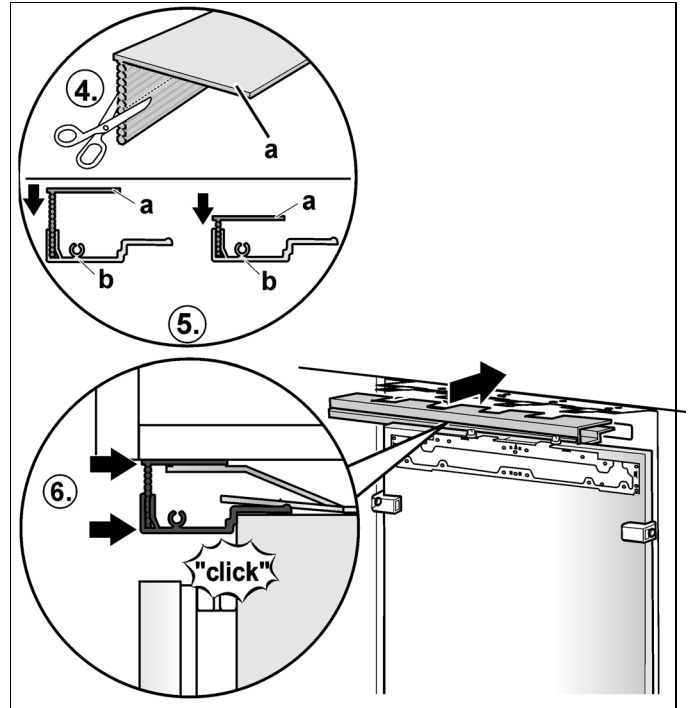
1. Screw the attachment plate lugs (top) to the overhead furniture.
2. If there is a fairly large gap above the appliance, fit a wooden beam above the appliance, ensuring that the wooden beam fits the gap exactly.



3. If there is enough room on the top of the appliance, fix the attachment plate side lugs (top) to the side of the niche.

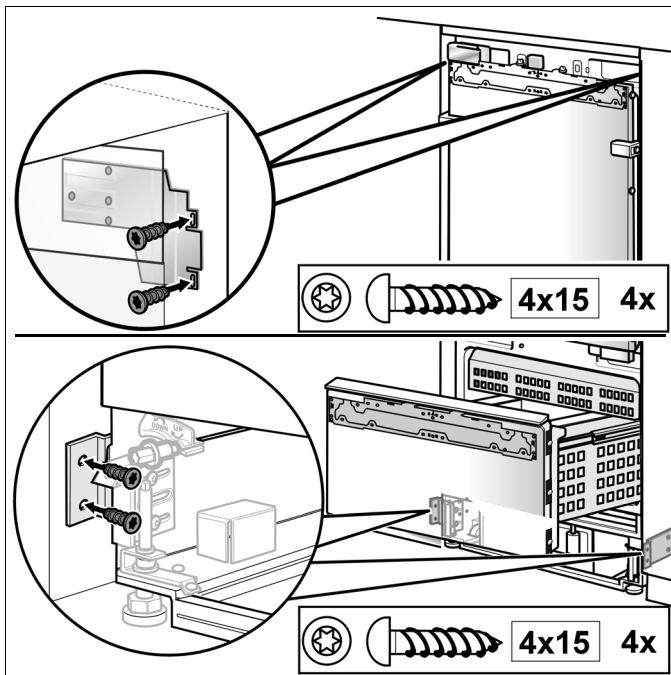


4. Shorten the fitting strip (a) to the required height to fill the gap.
5. Press fitting strip (a) into the cover strip (b).
6. Attach the cover strip (b) to the attachment plate (top).



4. Fastening the appliance to the side wall of the installation niche

1. Screw on the bars of the fastening sheets (lateral) with the cabinet parts located next to them.



The following is a special installation step. Instructions are provided after section D.

- Connecting the water, see "Connecting the water to the appliance".

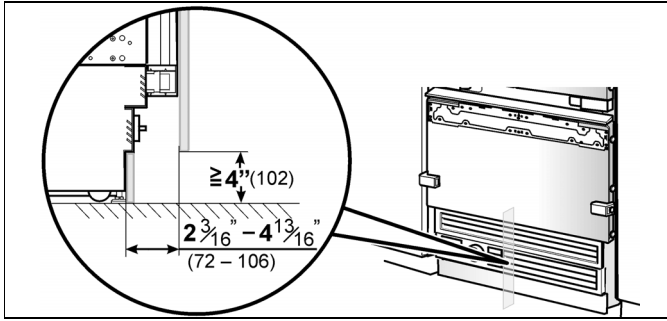
B

1. Attaching the toe kick panel

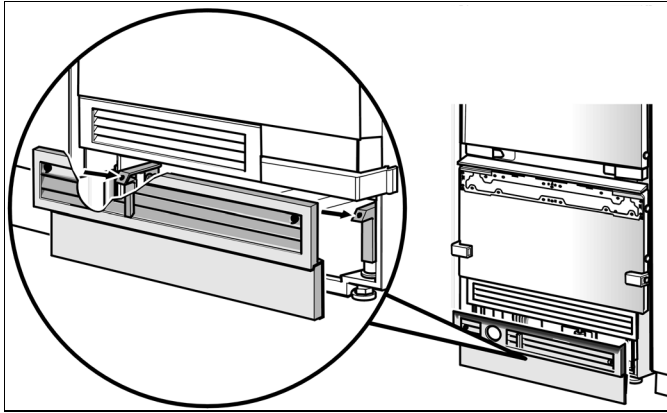
Note:

Risk of damage to the appliance. Do not cover ventilation openings in the base panel.

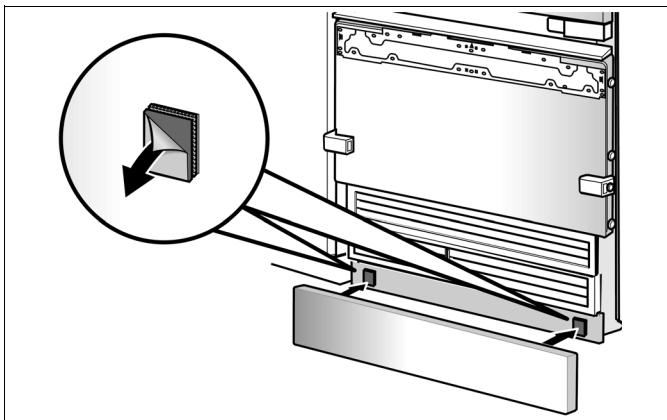
Nominal dimensions to be observed:



1. Where necessary, cut the base strip to the required length.
2. Place base panel on the appliance (do not screw on).



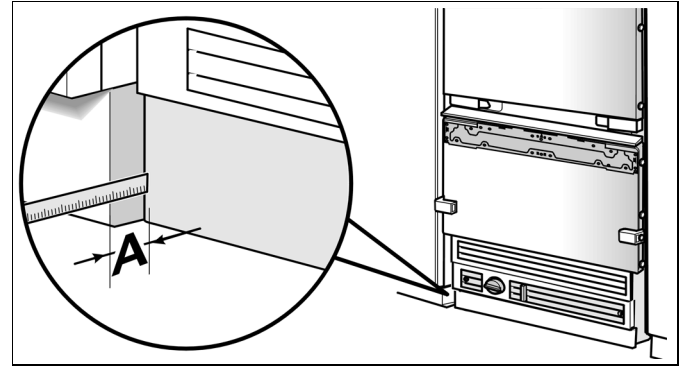
3. Take the protective film off from the adhesive pads on the Velcro strip.
4. Put the base strip onto the base panel and push firmly.



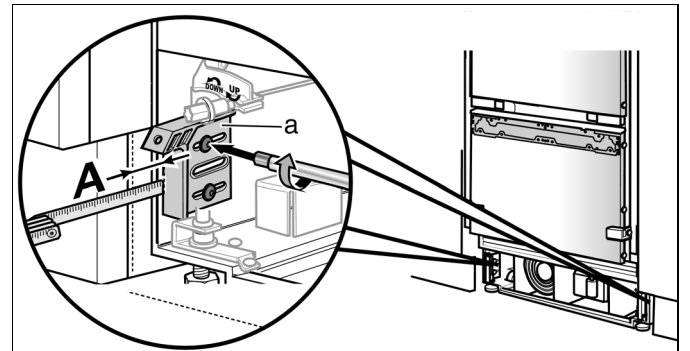
5. Base strip can be screwed to the base panel from behind. There are holes in the base panel for this purpose.

2. Aligning the base panel

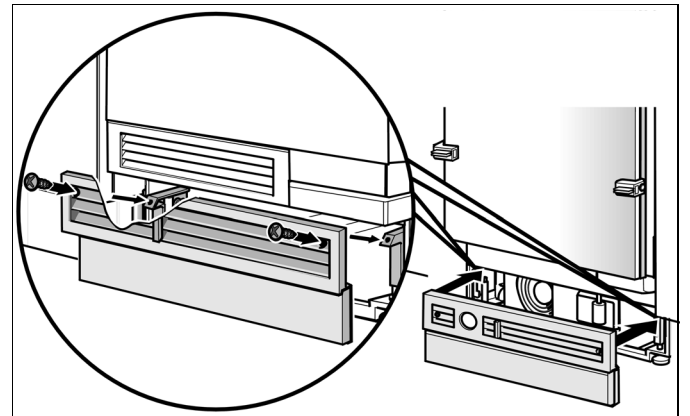
1. Place base panel on the appliance (do not screw on).
2. Measure the difference in depth **A** between the base panel and the base strip of the adjacent lower cabinets.



3. Remove the base panel again.
4. Adjust the brackets (a) to the dimensions **A** and tighten.



5. Fasten the base panel.



3. Switching the appliance on for the first time

To guarantee the accuracy of the following working steps and thus the appearance of the overall kitchen front later on, the appliance should now be operated.

1. Open the appliance door.
2. Press the POWER button.

Only for appliances with a water connection:

In order to avoid the risk of damage caused by leaking water from damage possibly caused to the water pipe feeding the appliance, keep the shut-off valve closed.

4. Preparing the furniture doors

Important note:

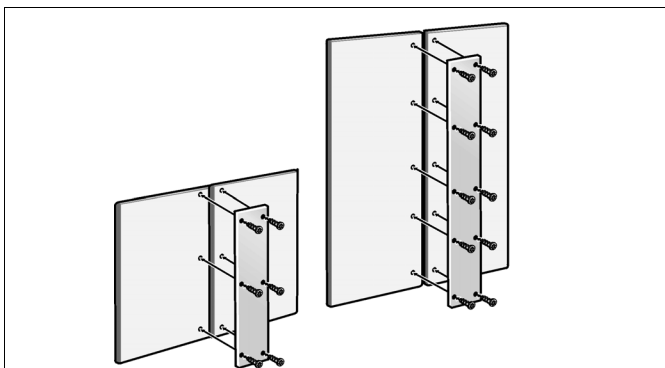
When working on the furniture doors, care should be taken to the following:

- Always carry out screwing jobs on the most stable part of the furniture door. Never screw into fillings or similar areas.
- Always selects screws with a length smaller than the thickness of the cabinet front.
- Protect the surfaces of the furniture doors during installation against damage.

The overall weight of the furniture door including the handle should not exceed the following values:

Appliance width	Overall weight of the furniture door
30" (76 cm)	
- Refrigerator door	44 lbs/20 kg
- Freezer drawer	25 lbs/11.5 kg
36" (91 cm)	
- Refrigerator door	57 lbs/26 kg
- Freezer drawer	28.5 lbs / 13 kg

Instead of one large door, two furniture doors can be mounted next to each other in the case of appliances with a width of 30" (76 cm) and 36" (91 cm). These furniture doors are then connected using a metal strip on the rear.



This metal strip is available from your dealer as an installation accessory (Connection element for furniture doors). For further information see section "Tools and Accessories which are needed".

When attaching the metal strip to the furniture doors, observe the maximum possible length of the screws and the position of the drill holes. Always screw into the best load-bearing material of the furniture door.

Note:

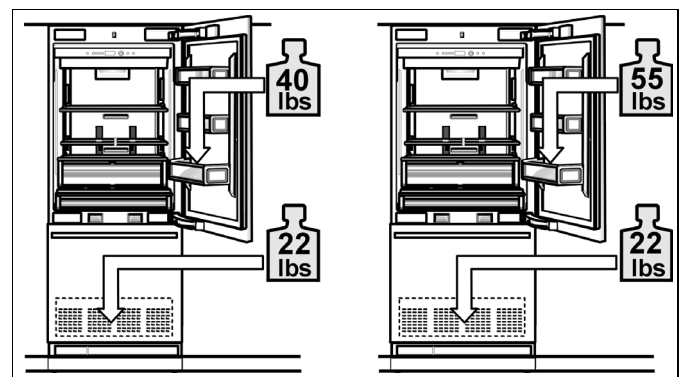
- Never screw into fillers, decorative strips or similar.
- If only one furniture door is to be attached to the door of a 30" or 36" wide appliance, attach the supplied sandwich plate to the adjusting rail and lock into position.

5. Loading the appliance door

When attaching the furniture doors it is recommended to load the storage sections in the door with weights in order to ensure that the when adjusting crack dimensions turn out to be as precise as possible.

Loading recommendations:

Appliance width	Loading of the appliance door
30" (76 cm)	
- Refrigerator door	40 lbs/18 kg
- Freezer drawer	22 lbs/10 kg
36" (91 cm)	
- Refrigerator door	55 lbs/25 kg
- Freezer drawer	22 lbs/10 kg

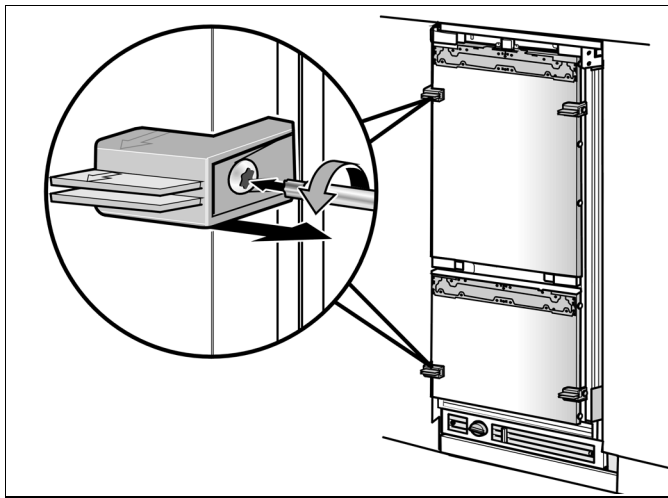


6. Removing positioning aids

Unscrew the positioning aids from the appliance door.

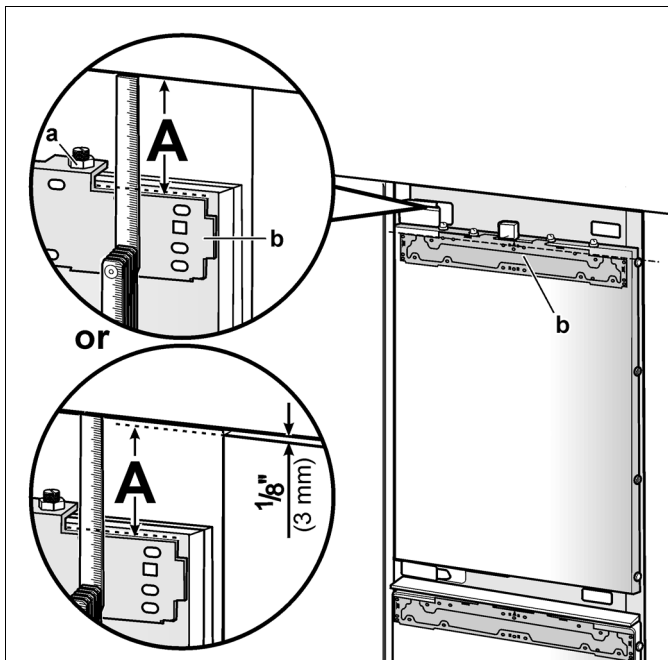
Note:

The positioning aids will still be needed in the course of mounting.



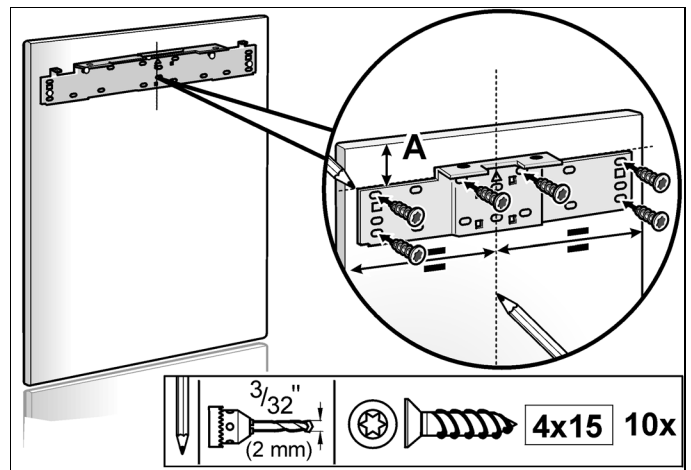
7. Fastening the adjusting rib to the furniture door (refrigerator compartment)

1. Measure distance **A** between the adjusting rail and the furniture parts above.



2. Loosen the two nuts (a) and remove the adjusting rib (b).
3. Mark this value **A** on the rear side of the furniture door.

4. Determine the middle of the door and label it.
5. Rest the adjusting rib on the furniture door and align to the markings. Mark the drill holes.
6. Pre-drill the holes.
7. Tightly screw the adjusting rib.



Note:

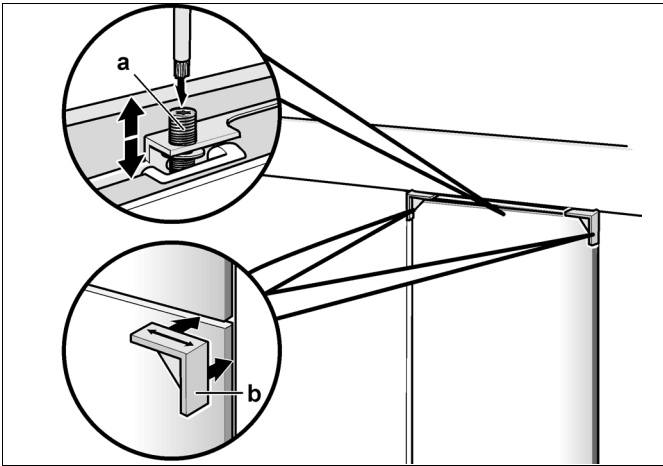
- Attach the adjusting rib with at least 10 screws on the furniture door. One screw should be screwed in under the threaded rod in each case.
- The adjusting rib has a various holes for different furniture door design variations. Always carry out screwing jobs on the most stable part of the furniture door.

8. Fastening the fixing rib to the furniture door (refrigerator compartment)

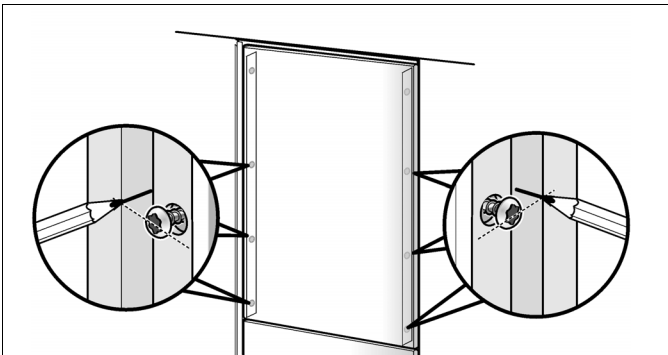
Note:

The fixing ribs are pre-assembled for stainless steel doors. In this case continue with the next installation step ("C / 9. Fastening the adjusting rib to the furniture door (freezer compartment)").

1. Hang the furniture door on the threaded rod (a).
2. Adjust the furniture door using the threaded rod (Torx screwdriver). Re-examine the dimensions of the crack continuously. To do this, use the assembly gauge (b).

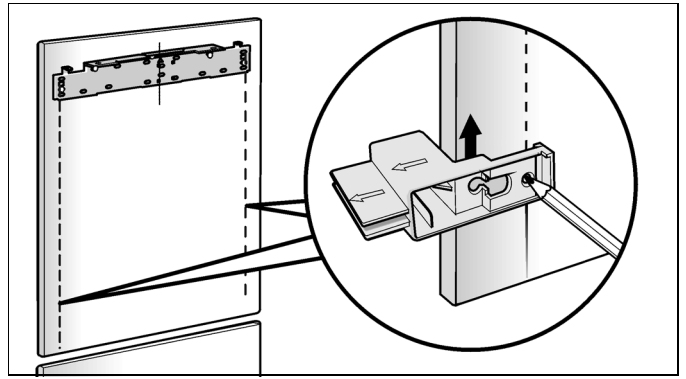


3. Transfer the position of the fastening screws on the outer edge of the appliance door to the furniture door and mark.

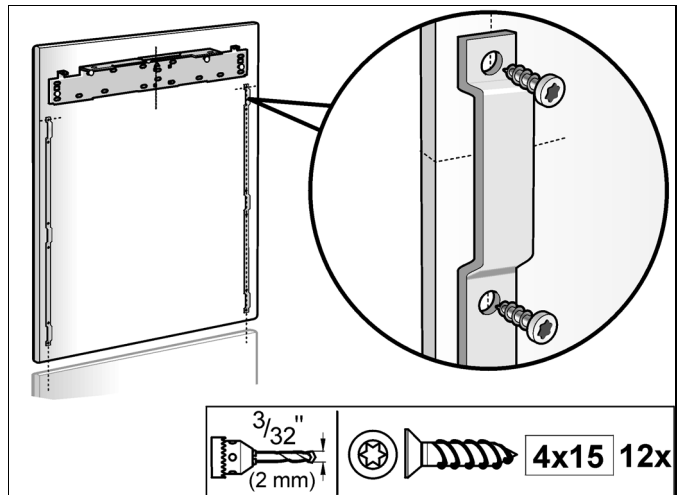


4. Remove furniture door.

5. On both lengths of the furniture door, draw a parallel with the help of the positioning aid.



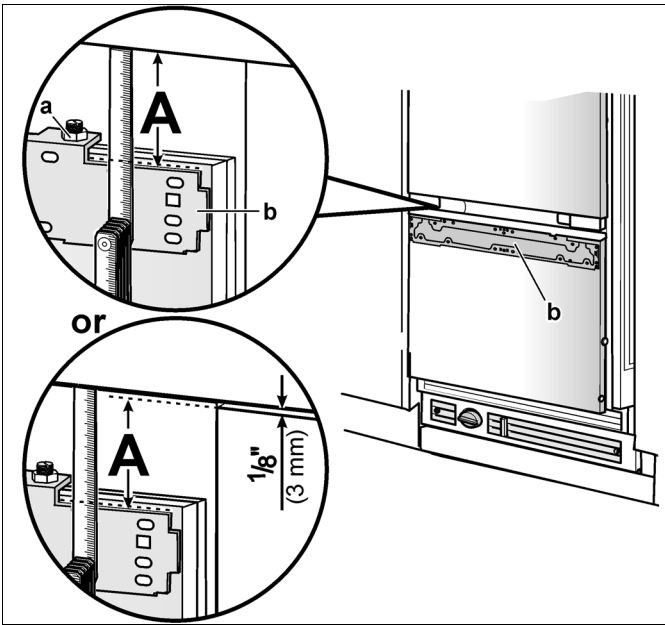
6. Lengthen the markings to the parallels using an angle of contact.
7. Apply the fixing ribs (b) and mark out the holes.
8. Pre-drill the holes.
9. Screw on the fixing ribs (b).



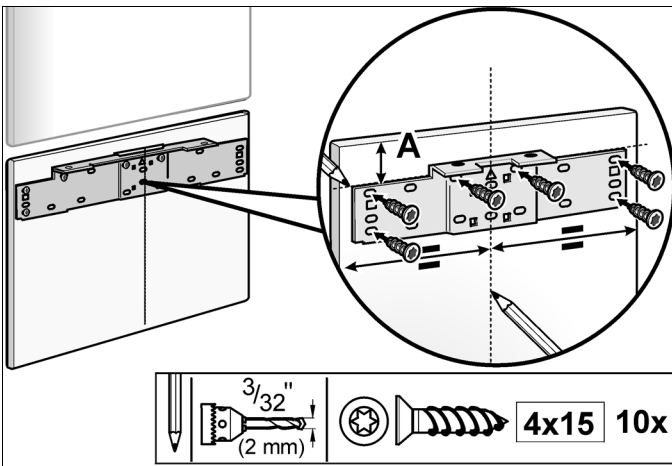
10. Hang the furniture door on the threaded rods.

9. Fastening the adjusting rib to the furniture door (freezer compartment)

1. Measure distance **A** between the adjusting ribs and the bottom edge of the refrigerator compartment door.



2. Loosen the two nuts (a) and remove the adjusting rib (b).
3. Mark this value **A** on the rear side of the furniture door.
4. Determine the middle of the door and label it.
5. Rest the adjusting rib on the furniture door and align to the markings. Mark the drill holes.
6. Pre-drill the holes.
7. Tightly screw the adjusting rib.



Notes:

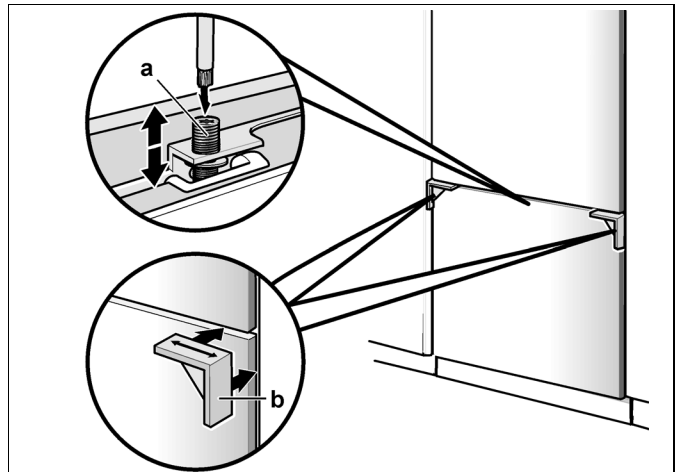
- Attach the adjusting rib with at least 10 screws on the furniture door. One screw should be screwed in under the threaded rod in each case.
- The adjusting rib has a various holes for different furniture door design variations. Always carry out screwing jobs on the most stable part of the furniture door.

10. Fastening the fixing rib to the furniture door (freezer compartment)

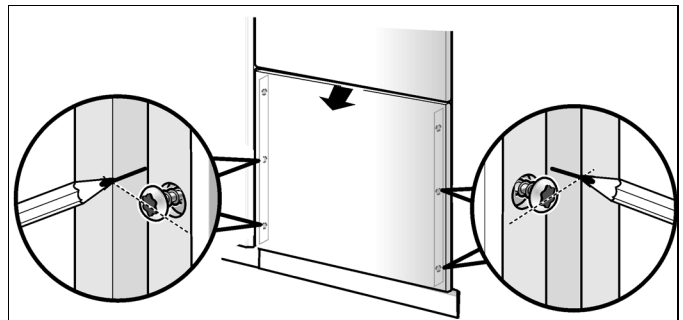
Note:

The fixing ribs are pre-assembled for stainless steel doors. In this case continue with the next installation step ("C / 11. Mounting the furniture door (freezer compartment)").

1. Hang the furniture door on the threaded rod (a).
2. Adjust the furniture door using the threaded rod (Torx screwdriver).
Re-examine the dimensions of the crack continuously. To do this, use the assembly gauge (b).

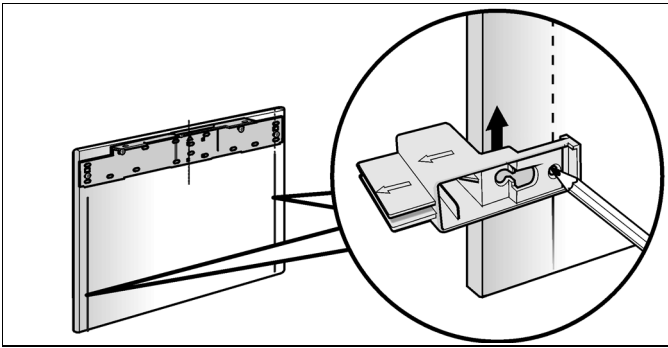


3. Transfer the position of the fastening screws on the outer edge of the appliance door to the furniture door and mark.

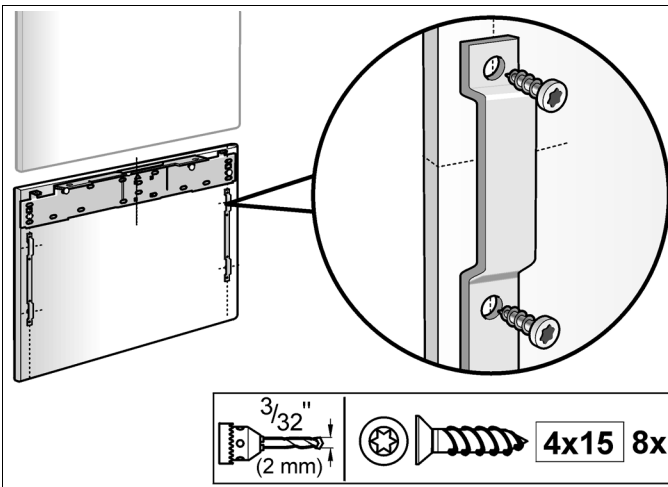


4. Remove furniture door.

- On both lengths of the furniture door, draw a parallel with the help of the positioning aid.



- Lengthen the markings to the parallels using an angle of contact.
- Apply the fixing ribs (b) and mark out the holes.
- Pre-drill the holes.
- Screw on the fixing ribs (b).

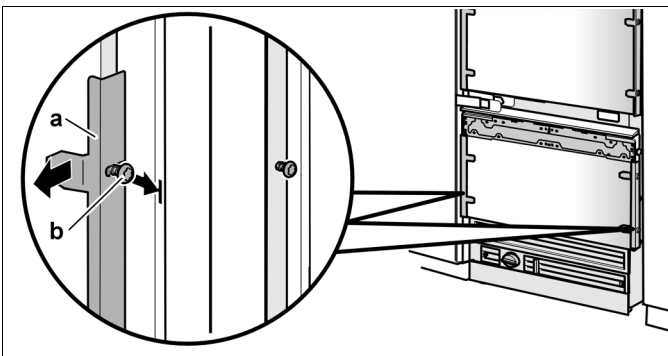


11. Mounting the furniture door (freezer compartment)

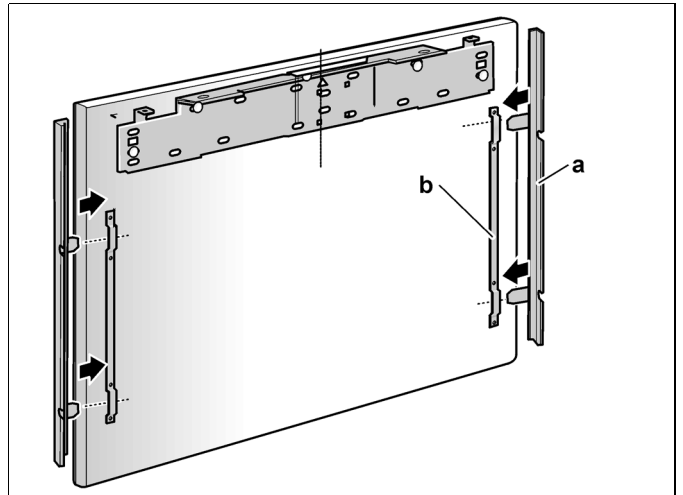
Note:

Now attach the door handles which should have been screwed from behind!

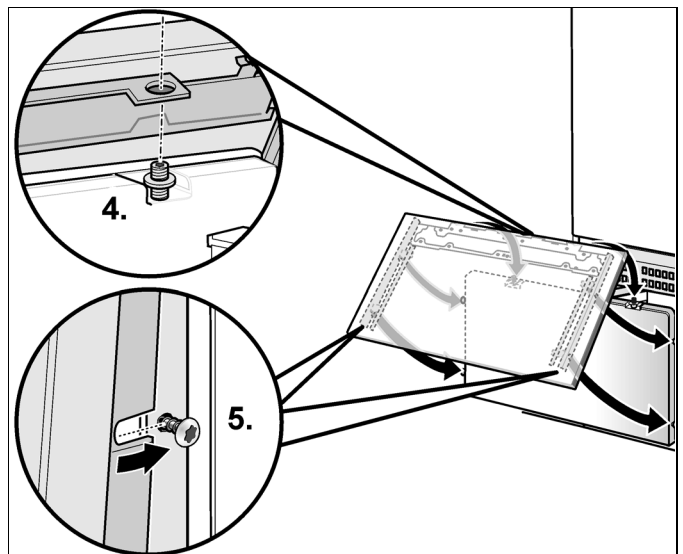
- Remove fixing bracket (a) from the appliance door. To do this, loosen the fastening screws (b) only.



- Insert the removed fixing brackets (a) into the fixing ribs (b) on the furniture door.

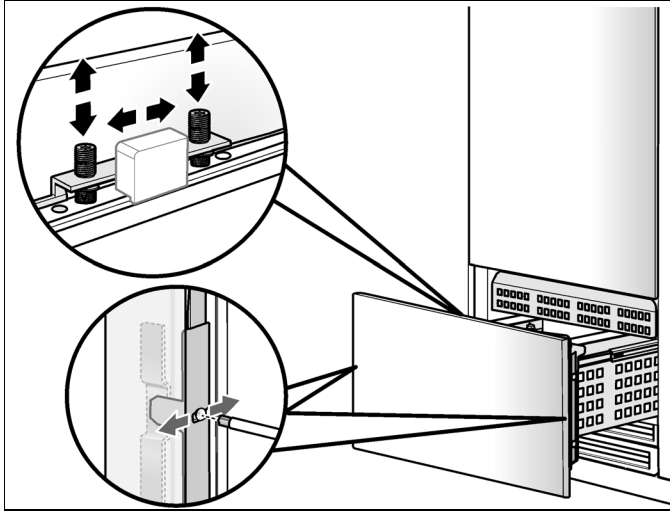


- Open the drawer.
- Hang furniture door with the adjusting rail onto the threaded rods.
- Lower furniture door and push the fixing brackets down over the fastening screws on the appliance door.

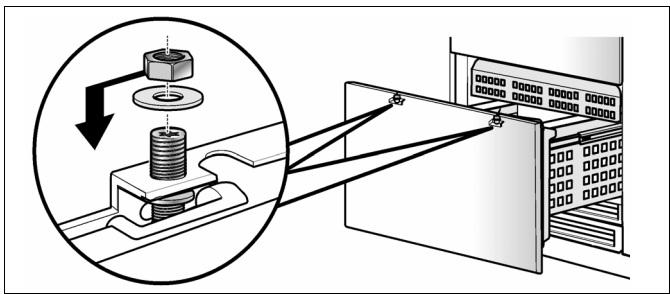


- Adjust the furniture door using the threaded rod (Torx screwdriver). Re-examine the dimensions of the crack continuously.
- Close the drawer and re-examine to make sure that the depth of the cabinet frontage corresponds with the adjacent lying fronts. Correct if necessary.

8. Open the drawer and tighten the fixing anglescrews in order to fix the depth adjustment.
9. Close the drawer and check the lateral adjustment. Correct the adjustment by lightly banging on the edge of the open door by hand.



10. Screw nuts onto the threaded rods of the adjusting rail and tighten! This way, the lateral adjustment of the door is fixed.

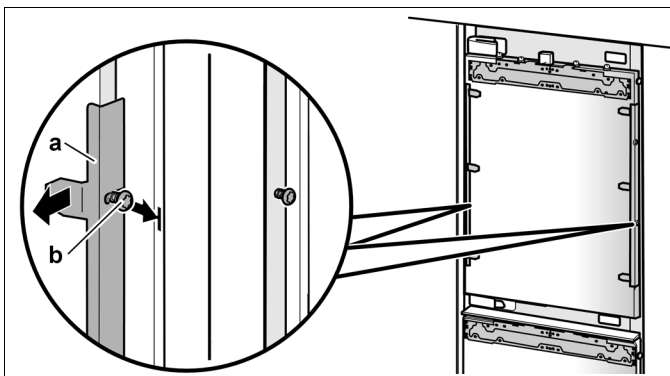


12. Mounting the furniture door (refrigerator compartment)

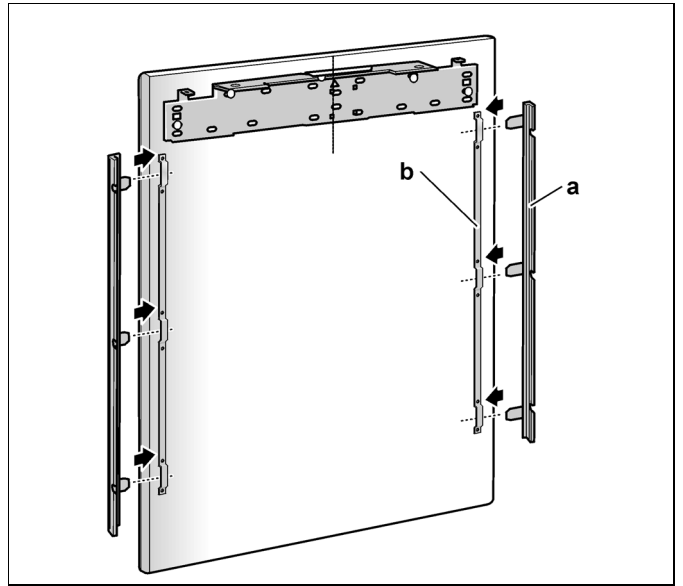
Note:

Now attach the door handles which should have been screwed from behind!

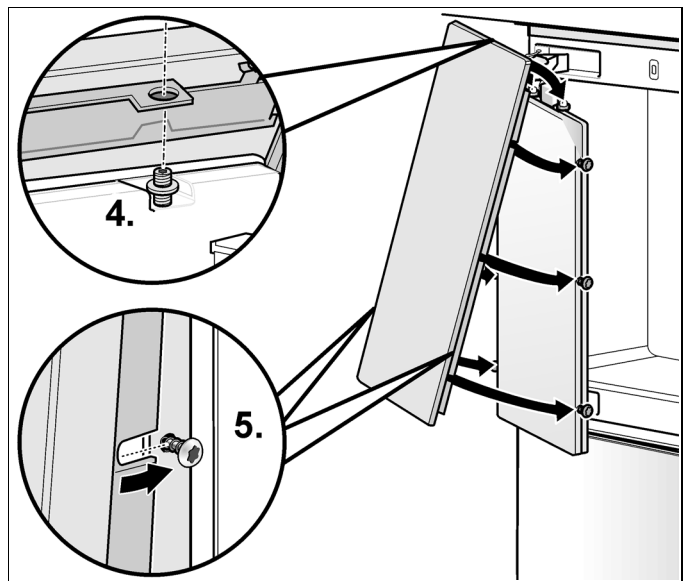
1. Remove fixing bracket (a) from the appliance door. To do this, loosen the fastening screws (b) only.



2. Insert the removed fixing brackets (a) into the fixing ribs (b) on the furniture door.

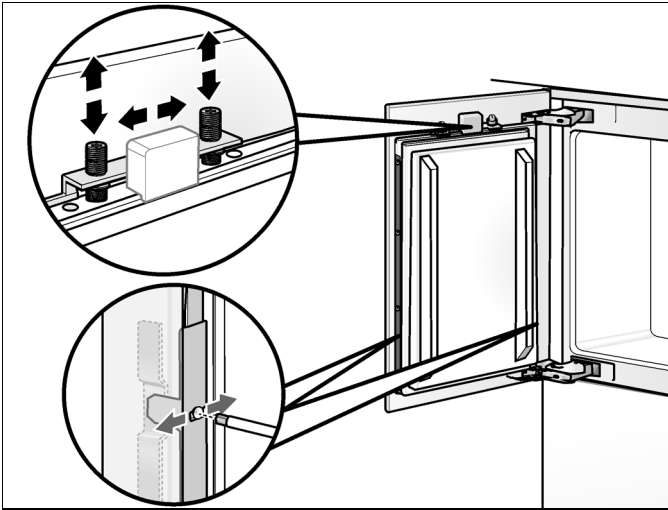


3. Open the appliance door.
4. Hang furniture door with the adjusting rail onto the threaded rods.
5. Lower furniture door and push the fixing brackets down over the fastening screws on the appliance door.

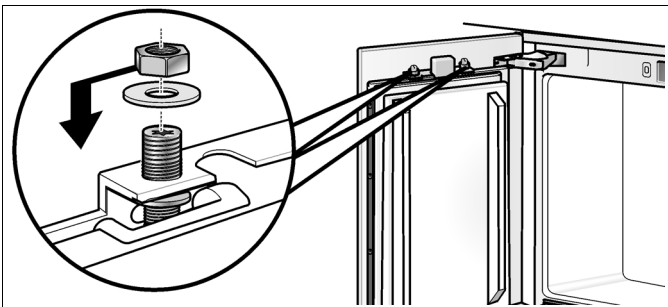


6. Adjust the furniture door using the threaded rod (Torx screwdriver). Re-examine the dimensions of the crack continuously.
7. Close the door and re-examine to make sure that the depth of the cabinet frontage corresponds with the adjacent lying fronts. Correct if necessary.

8. Tighten the fixing anglescrews in order to fix the depth adjustment.
9. Close the door and check the lateral adjustment. Correct the adjustment by lightly banging on the edge of the open door by hand.



10. Screw nuts onto the threaded rods of the adjusting rail and tighten! This way, the lateral adjustment of the door is fixed.



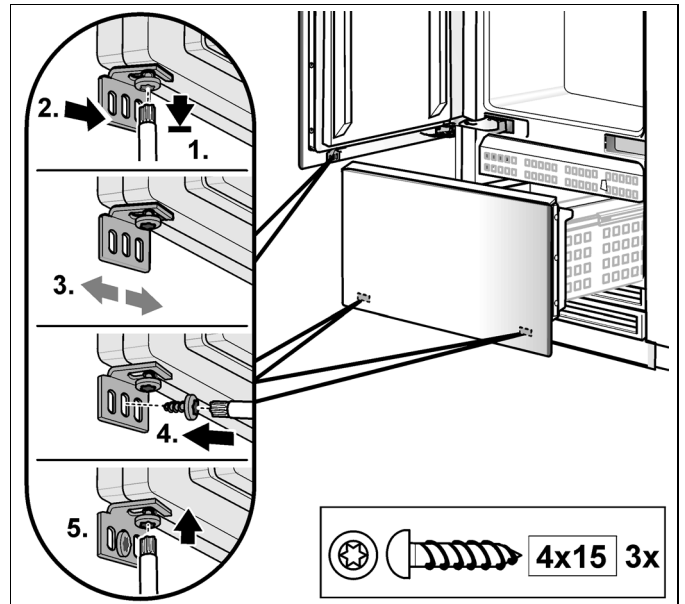
13. Screw on the lower fixing angle

The lateral adjustment of the door is fixed through the lower fastening angles.

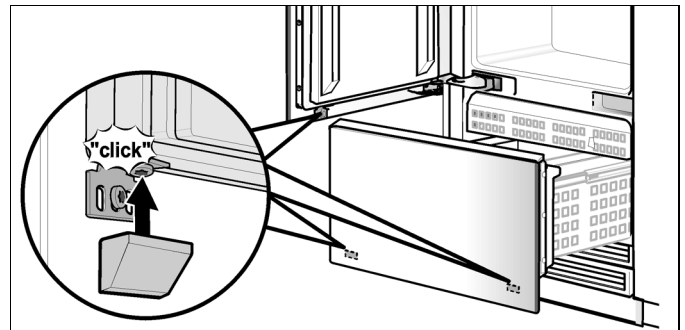
The number of the lower fastening angles depends on the width and the design of the furniture door.

Screw on lower bracket. Pre-drill holes into the furniture door!

1. Loosen screw.
2. Push bracket over the screw.
3. Check the lateral position of the door.
4. Screw in the wood screws.
5. Tighten the screws.

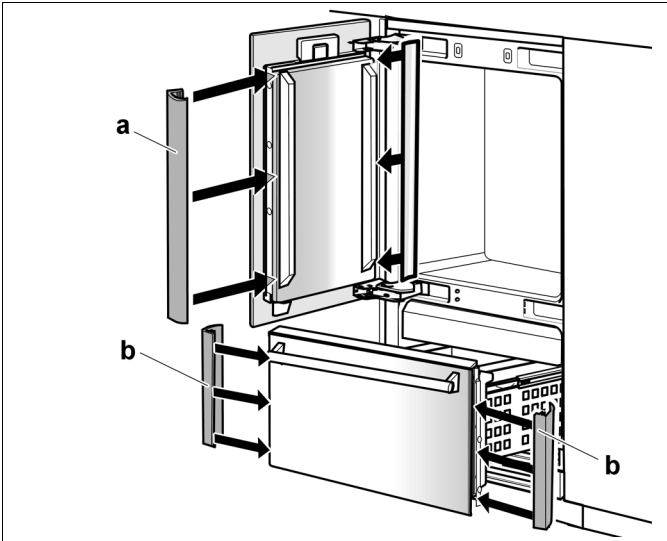


6. Insert the coverings via the fixing angle.

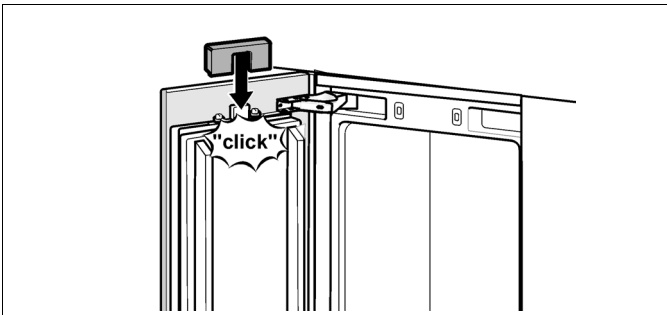


1. Attaching the covers

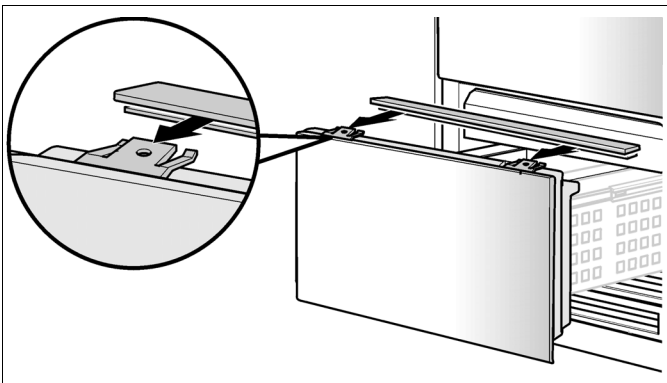
1. Attach the cover ribs to the door (a) and the freezer compartment drawer (b).



2. Attach the light switch cover.
The light switch cover can be screwed to the door.

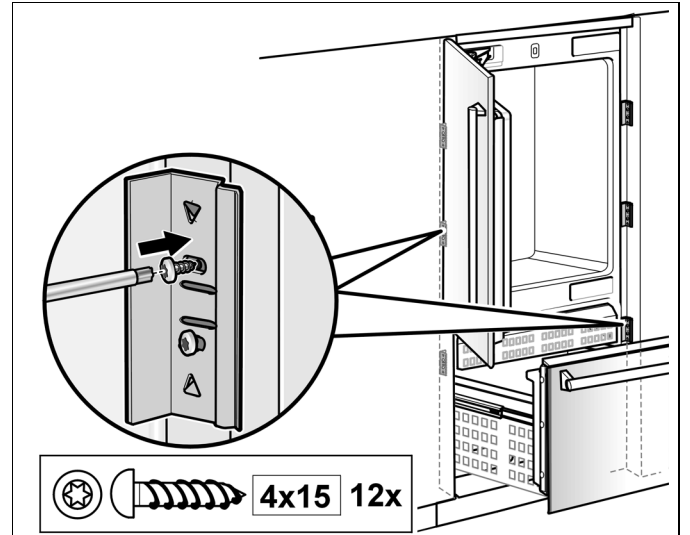


3. Attach the covering bar above the adjusting ribs of the freezer compartment drawer.

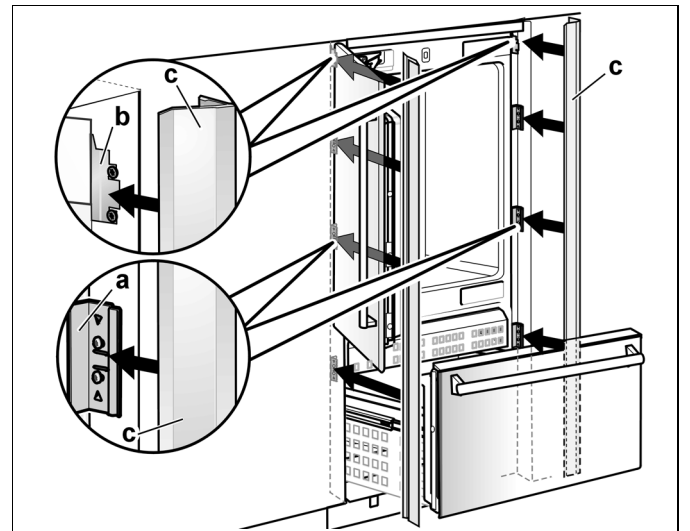


Individual appliances only:

4. Screw on the brackets (a) for holding the cover strip.



5. Attach the cover ribs (c) to the fastening plates (b) and the brackets (a).

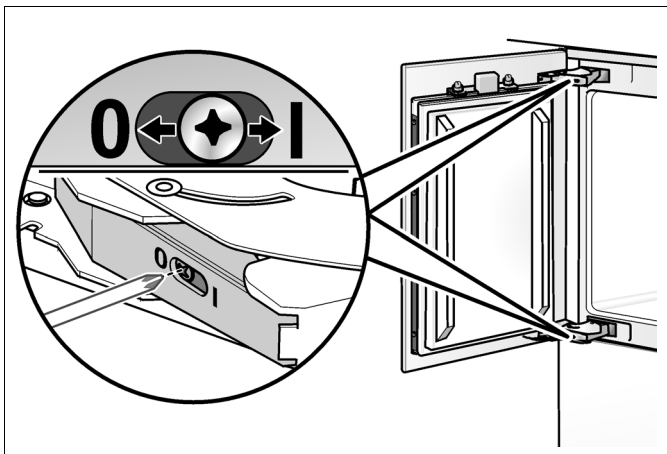


2. Tensioning the hinge springs (refrigerator compartment)

Turn the setting screw with a cross head screwdriver.

I = Spring tensioned

0 = Spring released

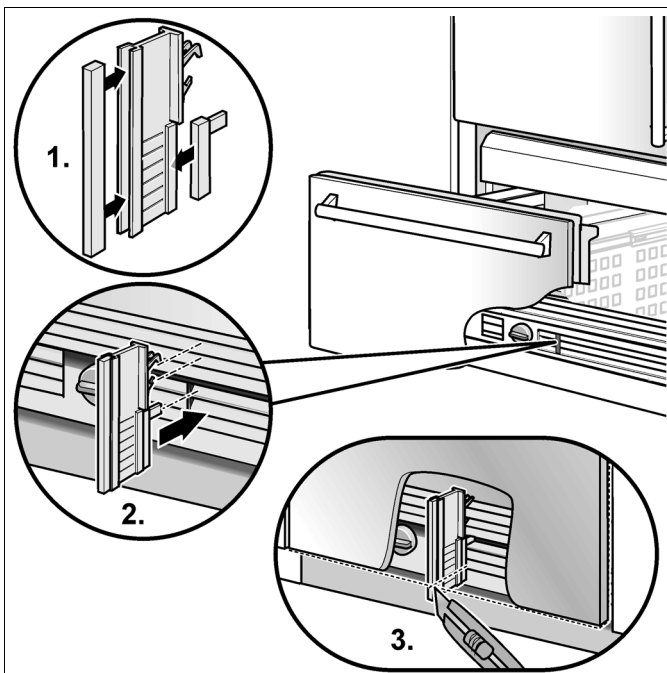


The following is a special installation step. Instructions are provided after section D.

- Door opening angle see "Adjusting the door opening angle".

3. Mounting of air separator

Fasten the air separator to the furniture door in order to separate the supply and waste air.



Installation of the appliance is now complete.



Special installation steps

Changing over the door hinges

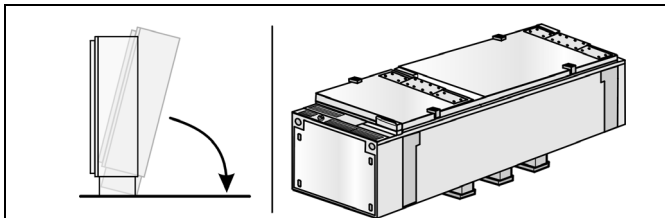
WARNING

Risk of injury!

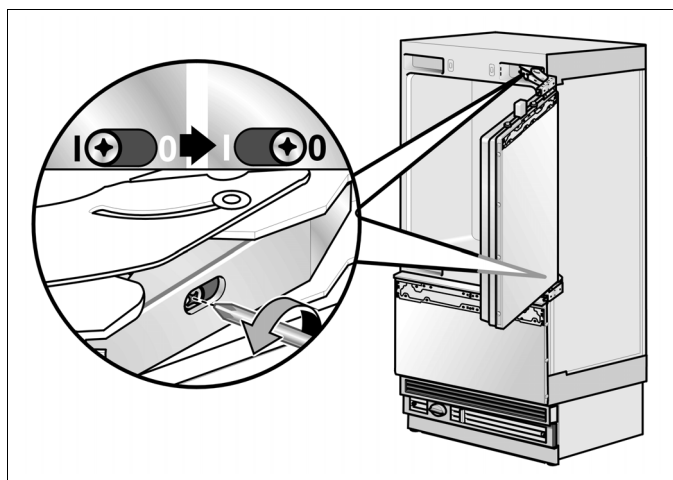
Before working on the hinge, release the spring.

Note:

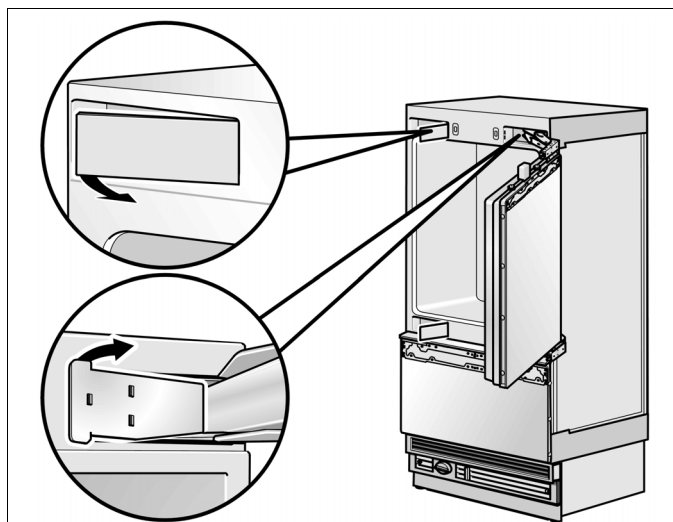
Switching the door hinge is made easier if the appliance is stored here on the back (put the pallet underneath).



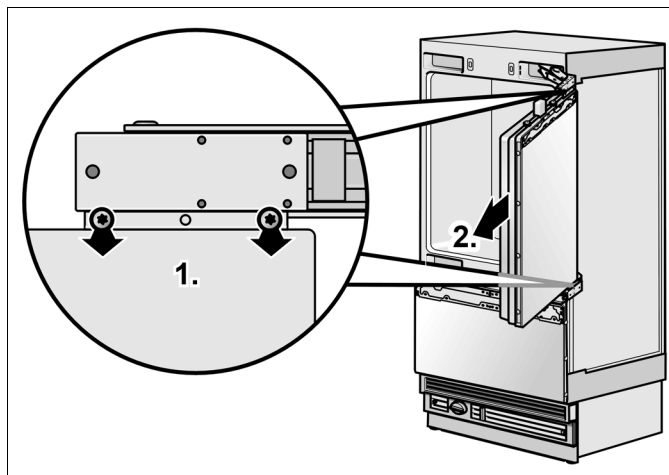
1. Release the spring pressure on the hinge. Loosen the screw from **I** to **0**.



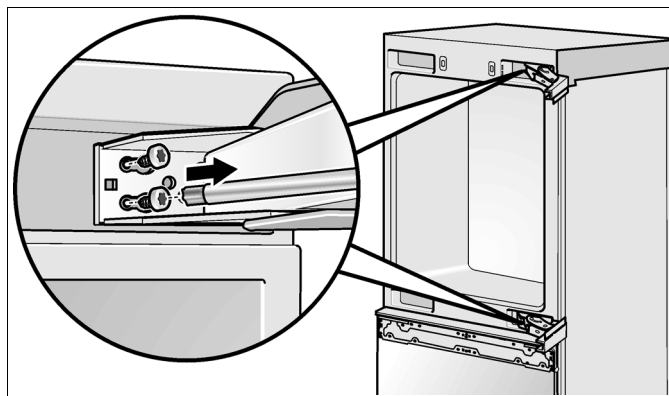
2. Remove the hinge box covers.



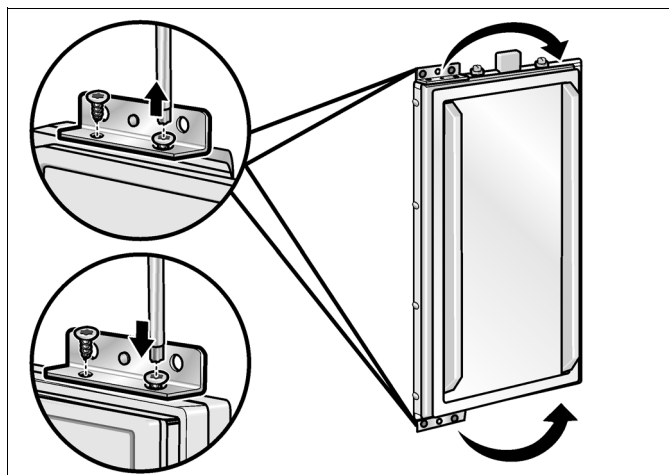
3. Unscrew the door. (1.) and remove (2.).



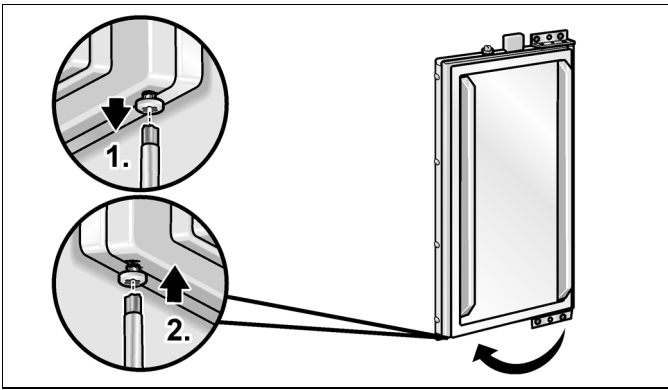
4. Remove the hinges.



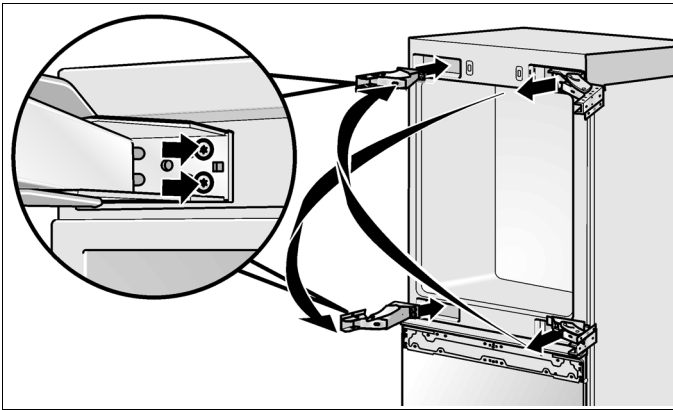
5. Swap the fixing parts on the door to the other side.



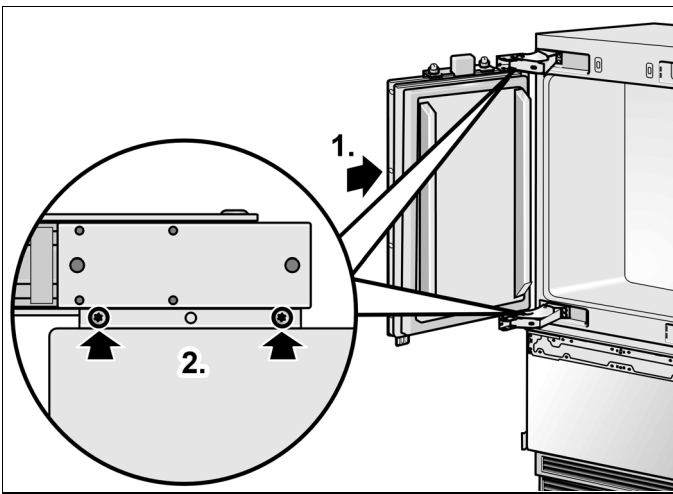
6. Change over the screw for the lower bracket.



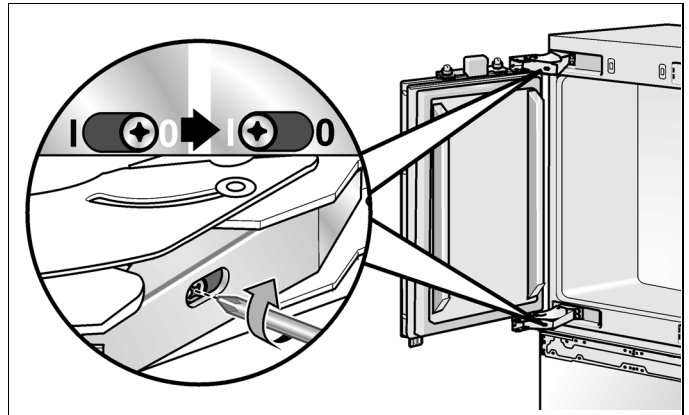
7. Fix the hinges on the appliance. Change the hinges crosswise!



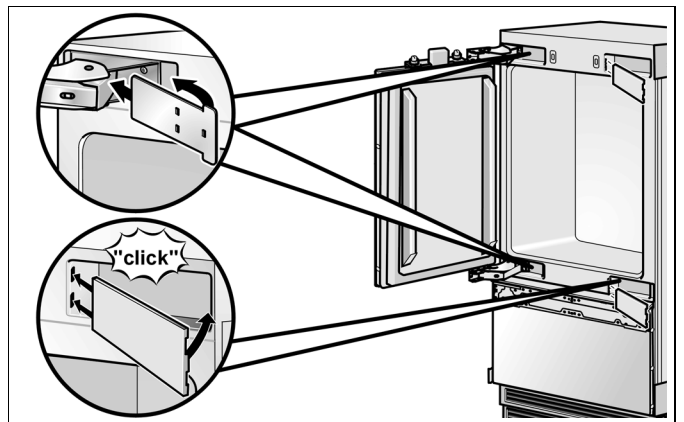
8. Fix the door to the hinges.



9. Span the spring on the hinge. Tighten the screw from 0 to I.



10. Fix the hinge box cover.

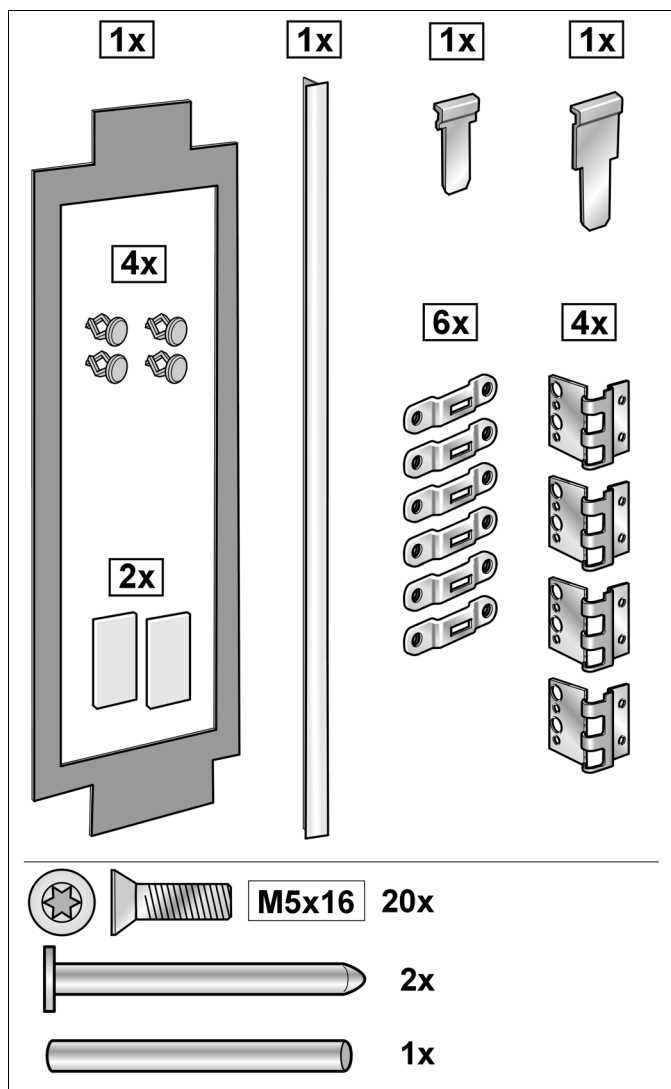


? Side-by-Side installation

If a Side-by-Side installation is intended, now connect the two appliances together.

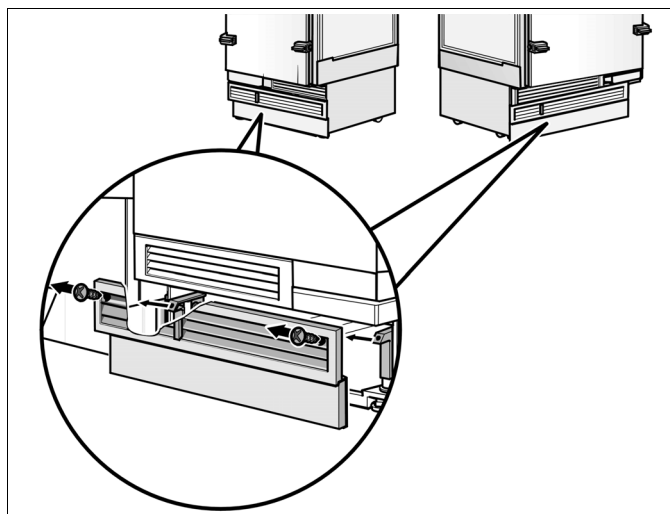
1. Unpack the Side-by-Side kit and check that no parts are missing.

Keep ready the anti-tip brackets as an installation aid.



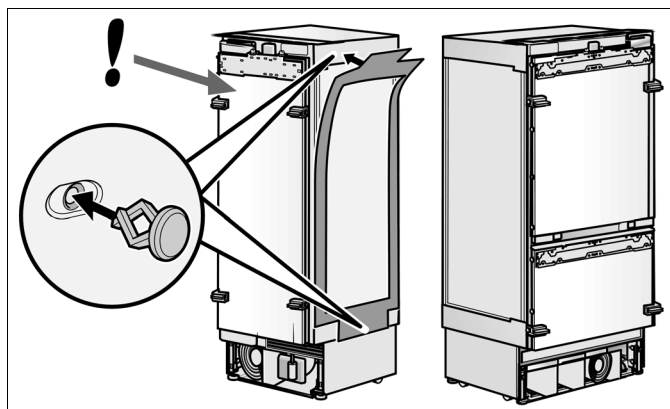
2. Place the appliances next to each other in the intended configuration.

3. Unscrewing the base panels.

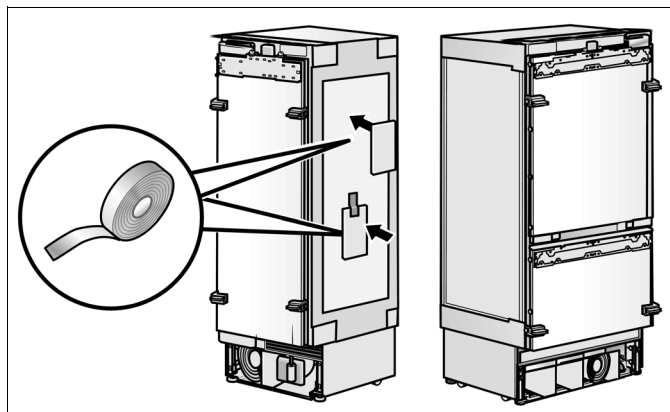


Notes:

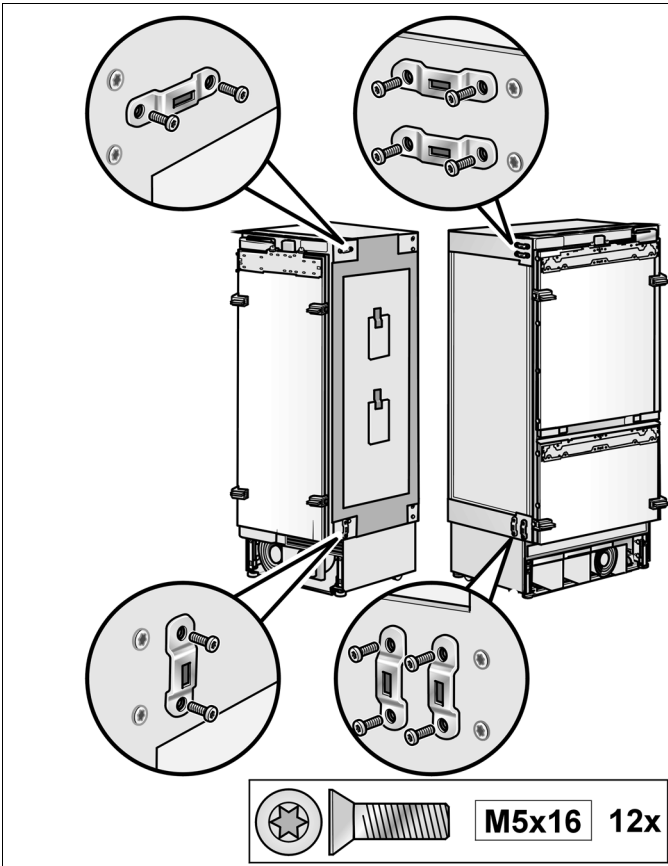
- Freezers are factory equipped with a sealing mat for the Side-by-side installation. Continues the work to step 6.
 - Attach the mat always left standing appliance!
4. Stick sealing mat from the Side-by-Side kit around the edge. Secure the sealing mat with the pins.



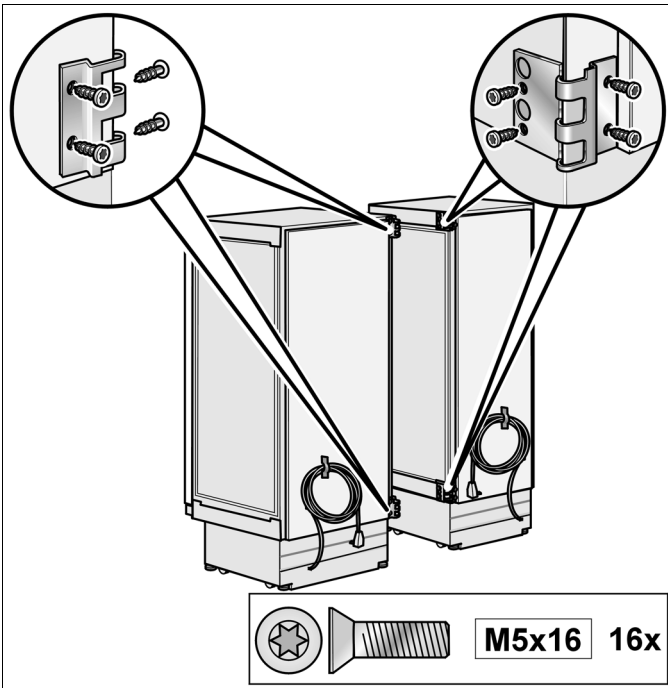
5. Place the water-absorbing stripes from the Side-by-Side kit on the side wall and secure with self adhesive tape.



6. Screw side plates from the Side-by-Side kit to both appliances. Note the position of both appliances!

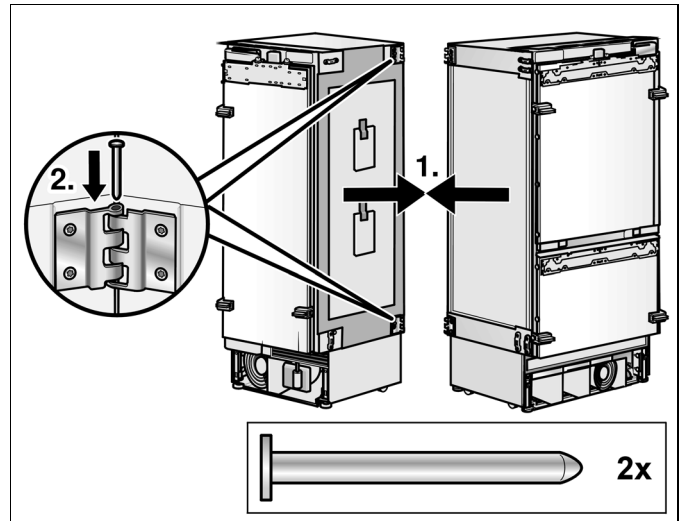


7. Screw the hinge halves in the Side-by-Side kit to both appliances.

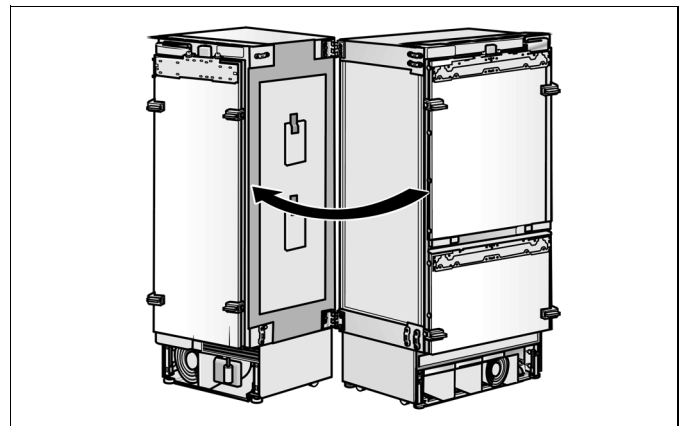


8. Push the appliances together until the hinge halves interlock.

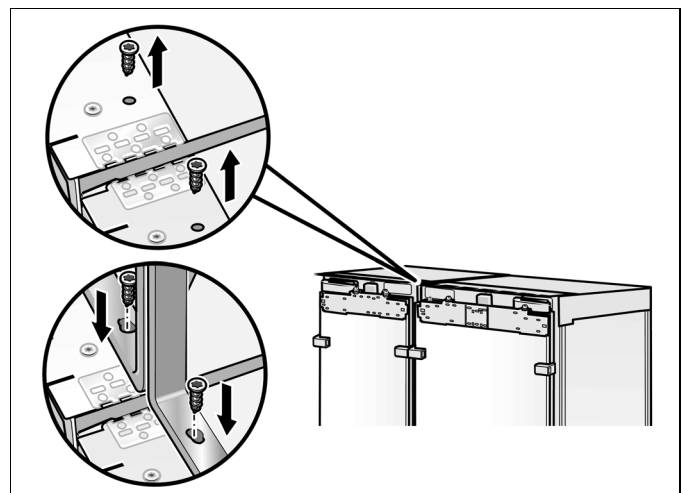
9. Insert pins into the hinges.



10. Push the appliances together at the front as far as possible.

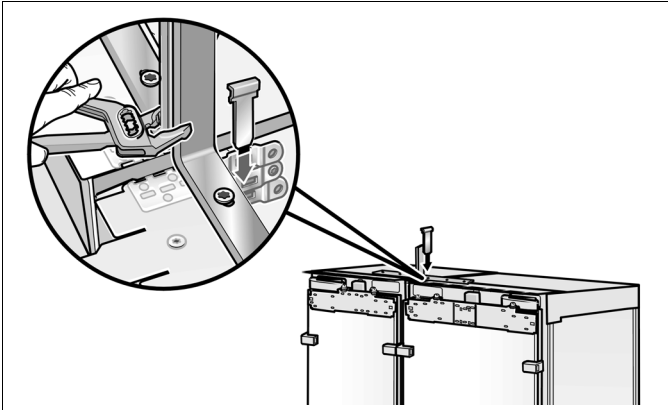


11. Loosen the screws on the top of the appliance and in their place screw on the anti-tip brackets as installation aid.

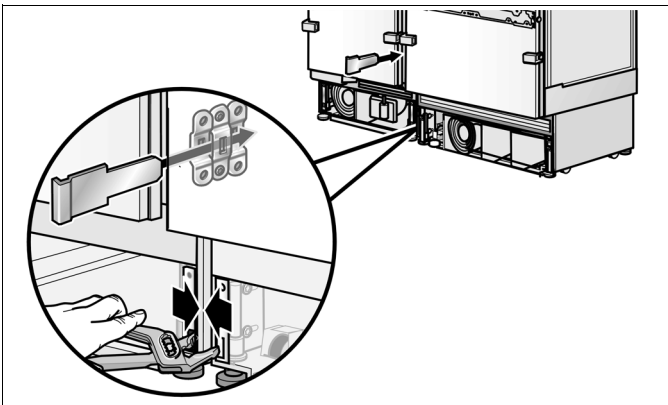




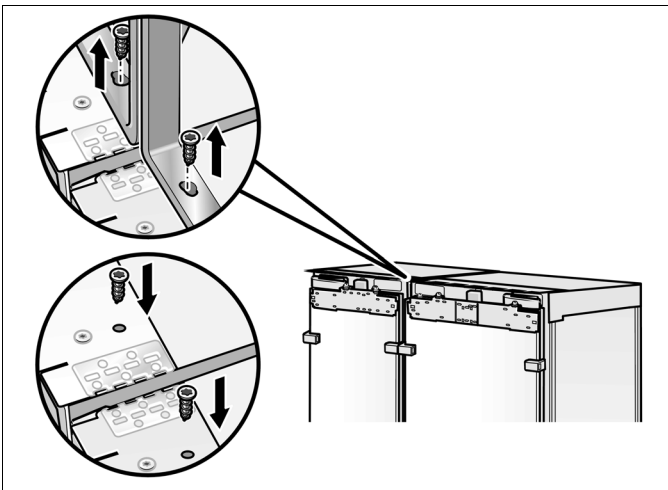
12. Pull the appliances together at the top with Water pump pliers (A).
13. When the appliances have been completely pulled together, insert the bar into the upper plates.



14. Pull the appliances together at the bottom with Water pump pliers.
15. When the appliances have been completely pulled together, insert the bar into the lower plates. Use a tool to push the bar in all the way.



16. Remove the installation aids.



Preparing to connect the water

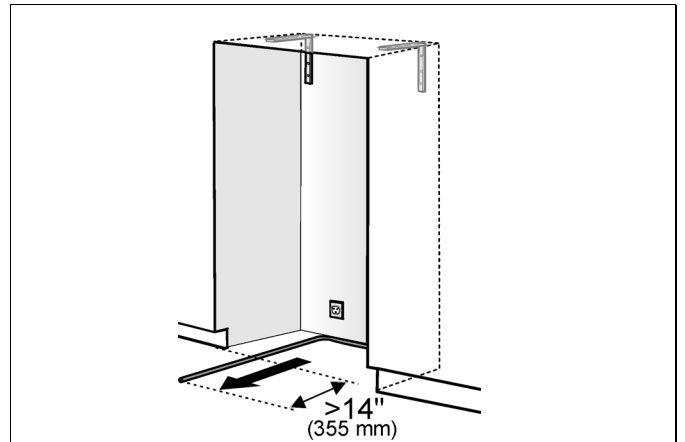
(only for appliances which require a water connection)

Note:

Turn off the main water tap to prevent damage caused by leaking water.

1. Attach the water line to the shut-off valve according to the instructions supplied by the manufacturer of the ice maker installation kit.
2. Install the water line.

Always observe the indicated dimensions to prevent damage to the water line when pushing in the appliance.

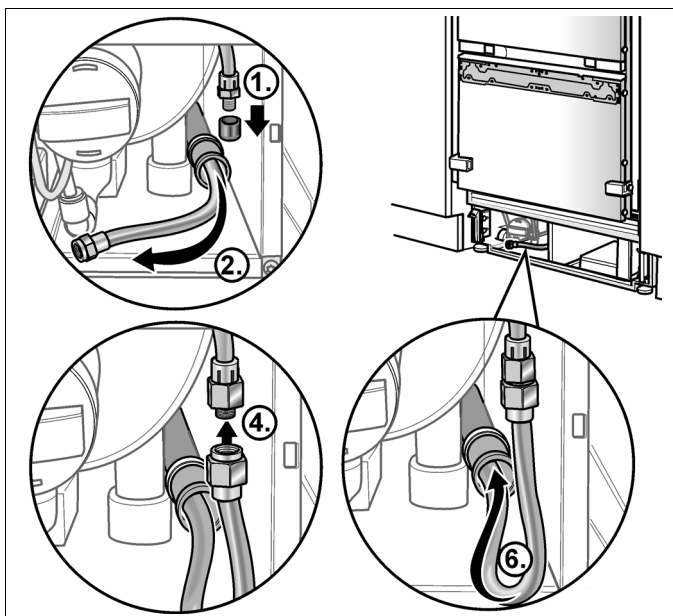


Connecting the water to the appliance

Note:

When bending the water line, do not kink it, otherwise there is a **risk of leaks and water damage**.

1. Remove the cap from the appliance connection.
2. Bend the water line according to the location of the connection on the appliance.
3. Push the union nut and seal onto the water line.
4. Push the end of the water line into the appliance connection and screw on the union nut.
5. Using the open-ended wrench, tighten the union nut. Do not overturn!
6. Push back the water line into the guard tube as far as possible.



7. Open the shut-off valve and main water tap.
8. Check the connection on the shut-off valve and on the appliance for leaks.
9. Close the shut-off valve.

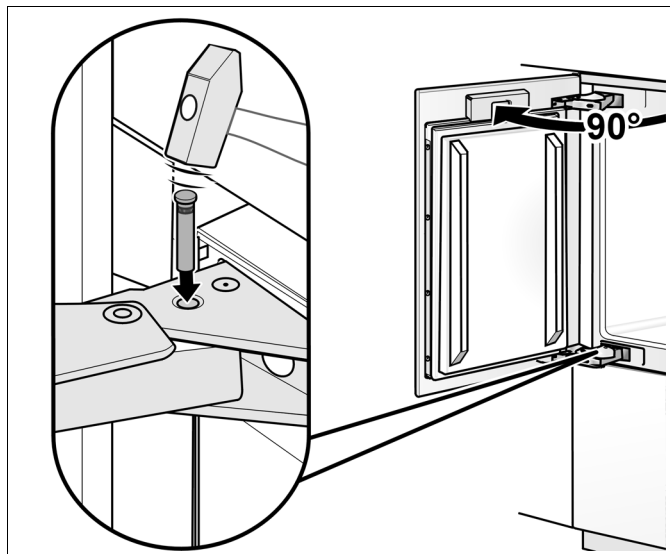
Adjusting the door opening angle

Depending on the installation situation, it may be necessary to adjust the door opening angle. A door opening angle of 115° has been set at the factory.

To adjust the door opening angle to 90° :

1. Open door to 90° .

Insert the banking pin through the boreholes which are now vertically aligned and drive in with a hammer.



Sommaire

Consignes de sécurité et avertissements 38

Options d'installation 39

Appareil individuel	39
Installations d'appareils côte à côte	39
Appareils individuels avec séparation	39
Appareils individuels à l'extrémité des cuisines intégrées	39

Installation de l'appareil 40

Local d'installation	40
Catégories climatiques	40
Installation sans risque de renversement	40
Cavité d'installation	40
Meubles de cuisine voisins	40
Sol	40
Alignement de l'appareil	41

Raccordement à l'alimentation électrique 41

Raccordement de l'eau 41

Dimensions de la cavité d'installation 42

Accessoires et outillage requis 43

Accessoires fournis	43
Accessoires en option	43
Autres	43
Outils	43

Instructions d'installation 44

1. Vérification de la cavité
d'installation 44
2. Enlèvement de l'emballage 44
3. Transporter l'appareil 45
4. Préparation du montage 45
5. Étapes spéciales de montage 45

A

1. Fixation des cornières
anti-renversement 46
2. Fixation d'un dispositif
anti-renversement alternatif 47
3. Fixation du protège-bords 47
4. Fixez les plaques de fixation
(latérales) 48

B

1. Pousser l'appareil dans la cavité
d'installation 49
2. Alignement de l'appareil dans
la cavité d'installation 49
3. Fixation de l'appareil dans la cavité
d'installation 51
4. Fixez l'appareil contre la paroi
latérale de la cavité d'installation 52

C

1. Fixez le bandeau de socle 53
2. Aligner l'habillage du socle 53
3. Mise en service de l'appareil 54
4. Préparation des portes de meuble 54
5. Placement d'une charge dans
la contre-porte 54
6. Démontez les accessoires
de positionnement 55
7. Fixation du profilé d'ajustage
contre la porte du meuble
(compartiment réfrigérateur) 55
8. Fixer des profilés d'immobilisation
contre la porte du meuble
(compartiment réfrigérateur) 56

C

- 9. Fixation du profilé d'ajustage contre la porte du meuble (compartiment congélateur) 57
- 10. Fixer des profilés d'immobilisation contre la porte du meuble (compartiment congélateur) 57
- 11. Fixer la porte du meuble (compartiment congélateur) 58
- 12. Fixer la porte du meuble (compartiment réfrigérateur) 59
- 13. Visser les cornières de fixation inférieure 60

D

- 1. Fixer les capots 61
- 2. Tendre le ressort de charnière 62
- 3. Montage du séparateur d'air..... 62

Installation spéciale 63

- Inversion du sens d'ouverture de porte 63
- Installations d'appareils côte à côte 65
- Préparation du raccordement de l'eau ... 68
- Raccordement de l'eau à l'appareil 68
- Ajustage de l'angle d'ouverture de porte 68

Consignes de sécurité

et avertissements

Cette notice de montage est destinée à vous aider lors de l'incorporation de votre nouvel appareil.

Toutefois, le fabricant ne pourra pas être tenu responsable d'un montage incorrect.

Nous recommandons de confier l'implantation et la mise en service à un spécialiste qualifié.

Le respect de toutes les consignes et instructions figurant dans cette notice de montage est le préalable d'un montage et d'une mise en service sûrs de cet appareil.

Rangez la notice de montage dans un endroit sûr en vue de sa réutilisation future.

Avant l'implantation et la mise en service, lisez cette notice de montage attentivement et entièrement.

AVERTISSEMENT

Le centre de gravité de cet appareil se trouve assez haut dans celui-ci. Il faut donc sécuriser l'appareil pour l'empêcher de basculer en avant.

Une protection anti-renversement est nécessaire.

Maintenez les portes de l'appareil fermées jusqu'à ce qu'il ait été installé et sécurisé conformément aux instructions d'installation.

Vu le poids et la taille de l'appareil et pour réduire le risque de dommages corporels et d'endommagement du produit, IL FAUT DEUX PERSONNES POUR RÉALISER L'INSTALLATION CORRECTEMENT.

Cet appareil doit être correctement relié à la terre. Voir la section sur le «Raccordement à l'alimentation électrique».

Veillez n'utiliser cet appareil qu'aux fins pour lesquelles il a été prévu.

Réparez ou remplacez immédiatement les cordons d'alimentation électrique qui se sont usés ou sont endommagés.

Débranchez l'appareil ou ramenez le disjoncteur en position éteinte avant de nettoyer ou d'effectuer des réparations.

Les réparations sont réservées à un technicien qualifié du service après-vente.

ATTENTION

L'installation de cet appareil oblige à détenir des connaissances de bases en mécanique, en menuiserie et en plomberie.

La responsabilité d'une installation adéquate revient à l'installateur.

Une défaillance du produit due à son installation incorrecte n'est pas couverte par la garantie dont bénéficie l'appareil.

Veillez vous reporter au manuel de l'utilisateur pour connaître les informations sur la garantie.

Important

Veillez conserver ces instructions pour usage par l'inspecteur local. Veuillez observer tous les règlements et ordonnances.

Remarque à l'intention de l'installateur – Veuillez bien à laisser les présentes instructions au client.

Remarque à l'intention du consommateur – Veuillez conserver les présentes instructions avec votre manuel de l'utilisateur. Ils vous permettront de vous y reporter ultérieurement.

Générale

Les présentes instructions d'installation sont destinées à être utilisées par des installateurs qualifiés. Tous les raccordements de l'eau, de l'électricité et à la terre doivent se conformer aux règlements et ordonnances locaux, ils doivent être réalisés par du personnel sous licence lorsque nécessaire.

En l'absence de réglementation locale :

- Aux USA : en conformité avec le National Electric Code, ANSI/NFPA70 en son édition la plus récente, avec les règlements des États et municipaux et/ou les règlements locaux.
- Au Canada : en conformité avec le Code canadien de l'électricité C22.1 en son édition la plus récente, avec les règlements des provinces et municipaux et/ou les règlements locaux.

Definitions

AVERTISSEMENT

Cette mention précède une instruction assortie d'un danger de mort ou de blessures graves si vous ne respectez pas son contenu

ATTENTION

Cette mention précède une instruction assortie d'un risque de blessures légères ou de dégâts si vous ne respectez pas son contenu.

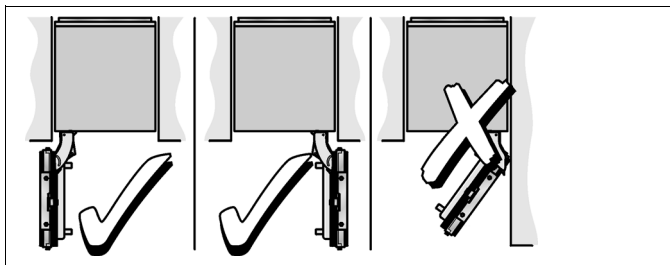
Remarque:

Cette mention sert à attirer votre attention sur un aspect particulier.

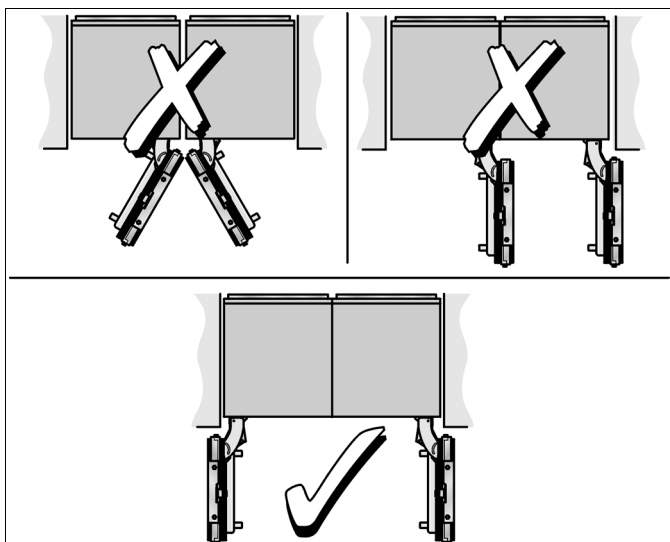
Options d'installation

Différents possibilités d'installation sont disponibles. Elles ne peuvent être restreintes que par l'agencement de la cuisine.

Appareil individuel



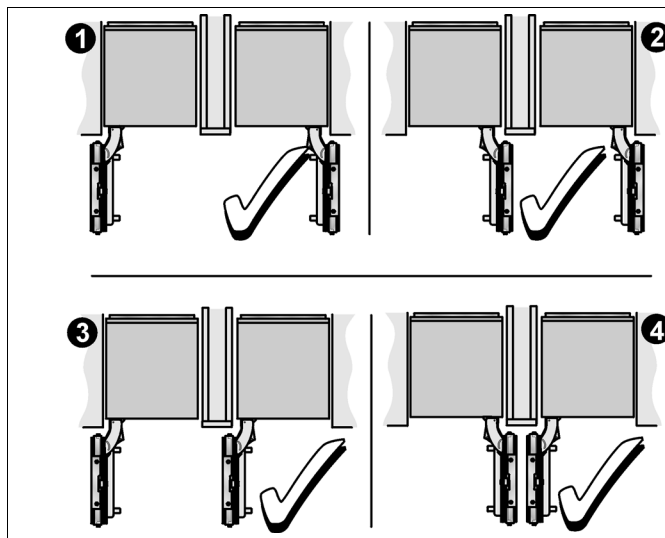
Installations d'appareils côte à côte



Si vous installez 2 appareils directement l'un à côté de l'autre, il faudra utiliser le kit d'étanchéité pour la combinaison côte à côte, ceci afin de garantir une jonction robuste.

Détails à ce sujet : voir la section « Accessoires et outillage requis ».

Appareils individuels avec séparation



- Lorsque vous dimensionnez la séparation affectée à la configuration 4 ci-dessus, notez l'épaisseur de la façade des meubles pour empêcher des dégâts lors de l'ouverture simultanée des portes.
- Utilisez le kit de chauffage pour combinaison extrême, si l'espace vide entre les appareils est inférieur à 6" (160 mm). Voir la section consacrée aux « Accessoires en option ».
- Épaisseur minimum de la séparation 5/8" (16 mm).

Appareils individuels à l'extrémité des cuisines intégrées

Si un côté de l'appareil est visible, il faudra utiliser un panneau latéral.

Le panneau latéral doit être fermement fixé contre le mur, le sol ou un placard/le appareillages situés au-dessus avant de placer l'appareil dans la cavité.

Pour dimensionner le panneau latéral, basez-vous sur les dimensions du panneau opposé formant la cavité. Pendant l'installation, veillez à ce que la cavité reste à angles droits et qu'elle ait la taille exacte.

Installation de l'appareil

Local d'installation

⚠ ATTENTION

L'appareil est très lourd.

Largeur de l'appareil	Poids (plein) ca.
Réfrigérateur/congélateur combinés 30" (75,6 cm)	440 lbs (198 kg)
Réfrigérateur/congélateur combinés 36" (90,3 cm)	558 lbs (251 kg)

Il faudra installer l'appareil dans une pièce sèche et bien aérée.

Il faudra que le site ne soit pas exposé à un ensoleillement direct et qu'il ne se trouve pas à côté d'une cuisinière, d'un radiateur, etc. Si l'installation à côté d'une source de chaleur est inévitable, il faudra utiliser une plaque isolante appropriée, ou respecter les écarts minimums suivants par rapport à la source de chaleur :

- 1¹/₄" (30 mm) d'une cuisinière électrique,
- 11¹³/₁₆" (300 mm) par rapport à un appareil de chauffage au fuel ou au charbon.

Sur l'emplacement, le sol ne doit pas s'affaisser. Renforcez-le le cas échéant. Afin que le distributeur de glaçons fonctionne impeccablement, l'appareil doit se trouver parfaitement à la verticale.

Catégories climatiques

La catégorie climatique à laquelle appartient l'appareil figure sur sa plaque signalétique. Elle indique dans quelles plages de température il est possible de faire fonctionner l'appareil.

Catégorie climatique	Température ambiante admissible
SN	50 °F à 90 °F (+10 °C à 32 °C)
N	61 °F à 90 °F (+16 °C à 32 °C)
ST	61 °F à 100 °F (+16 °C à 38 °C)
T	61 °F à 110 °F (+16 °C à 43 °C)

Installation sans risque de renversement

L'appareil est très lourd et il tend à basculer en avant lorsque la porte est ouverte. Il ne faut mettre l'appareil en service que si son renversement est exclu.

Le moyen le plus sûr de l'installer sans risque de renversement est encore d'utiliser les sécurités anti-renversement livrées d'origine.

Si la cavité d'installation est suffisamment robuste et s'il est possible de fixer l'appareil de manière sûre contre le plafond et les parois latérales de la cavité, il sera possible selon les circonstances de renoncer à des sécurités anti-renversement. Condition préalable à cela : qu'il y ait toujours une jonction ferme entre la cavité et le mur au dos de la cavité !

En cas de doute, il faudrait faire appel à un architecte ou un spécialiste du bâtiment.

Cavité d'installation

Il est important de respecter les dimensions indiquées de la cavité d'installation afin de permettre l'incorporation sans problème de l'appareil et de respecter l'aspect ultérieur de la façade des meubles de cuisine.

Il faut veiller en particulier à ce que les parois de la cavité soient perpendiculaires. Les parois latérales ne doivent pas comporter de garnitures en surépaisseur, saillies ou défauts de planéité.

La perpendicularité des parois de la cavité est vérifiable à l'aide de moyens appropriés, par exemple niveau à bulle, mesures en diagonales, etc.

Les parois latérales et le plafond supérieur de la cavité doivent faire au moins 5/8" (16 mm) d'épaisseur.

Meubles de cuisine voisins

Vissez le nouvel appareil fermement contre les parties latérales du placard et les placards supérieurs.

Pour cette raison, il faut veiller à ce que tous les placards supérieurs contre lesquels il faut fixer quelque chose soient fermement reliés à la surface porteuse ou au mur par des moyens appropriés.

Le bandeau de socle doit faire au minimum 3/4" (19 mm) d'épaisseur.

Sol

Pour être sûr que l'appareil a été installé de façon sûre et qu'il fonctionne correctement, le sol doit être plat et horizontal.

Le sol doit être constitué d'un matériau dur et rigide.

La surface d'installation doit se trouver au même niveau que le reste de la pièce (no step up or down).

Compte tenu du poids élevé de l'appareil lorsqu'il est plein, il faut que le sol offre la portance nécessaire.

En cas de doute, contactez un architecte ou un expert en bâtiment.

Alignement de l'appareil

Pour assurer que l'appareil fonctionne correctement, il faut le niveler de façon correcte. Si l'appareil n'est pas nivelé, de l'eau risque de couler du distributeur de glace, les glaçons risquent d'être irréguliers ou les portes risquent de ne pas se fermer correctement.

Raccordement à l'alimentation électrique

AVERTISSEMENT

- Évitez le risque de choc électrique !
- Connectez avec une prise femelle tripolaire reliée à la terre. N'enlevez jamais la phase de terre. N'utilisez aucun adaptateur. N'utilisez aucun prolongateur.
- Une erreur dans l'exécution de ces instructions peut entraîner la mort, un incendie ou un choc électrique. La connexion incorrecte du fil de terre peut entraîner un choc électrique. Si vous n'êtes pas certain(e) que l'appareil a été correctement connecté à la terre, faites-le vérifier par un électricien qualifié ou par un technicien du service après-vente.

La prise doit être proche de l'appareil et demeurer librement accessible même après avoir installé ce dernier. L'appareil est conforme à la classe de protection I. Connectez l'appareil au courant alternatif 115 Hz / 60 Hz, via une prise femelle installée réglementairement et comportant un fil de terre. La prise doit être protégée par un fusible supportant un ampérage de 10 A à 16 A.

L'appareil est livré équipé d'un cordon de raccordement au réseau à trois fils homologué UL. L'appareil requiert une prise à trois pôles. Veuillez dans ce contexte tenir compte du tableau suivant :

Appareil	Charge maximale simultanée
Réfrigérateur/congélateur combinés 30" (75,6 cm)	6,0 ampères
Réfrigérateur/congélateur combinés 36" (90,3 cm)	6,0 ampères

Vérifiez sur la plaque signalétique si la tension indiquée et le type de courant correspondent au paramétrage de votre réseau électrique. La position de la plaque signalétique est indiquée au chapitre Service après-vente.

AVERTISSEMENT

Il ne faut en aucun cas raccorder l'appareil à des fiches électroniques d'économie d'énergie.

Nos appareils peuvent être alimentés via des onduleurs pilotés par le secteur ou à pilotage sinusoïdal. Directement raccordées au secteur public, les installations photovoltaïques font appel à des onduleurs pilotés par le secteur. Dans les solutions en îlots (p. ex. sur les bateaux ou les refuges de montagne), ne disposant pas d'un raccordement direct au secteur électrique public, il faut utiliser des onduleurs à pilotage sinusoïdal.

Raccordement de l'eau

ATTENTION

Raccordez l'appareil à une conduite d'eau potable !

Le raccordement de l'eau est une opération exclusivement réservée à un installateur professionnel qui respectera ce faisant les prescriptions publiées par la compagnie distributrice d'eau dans votre localité.

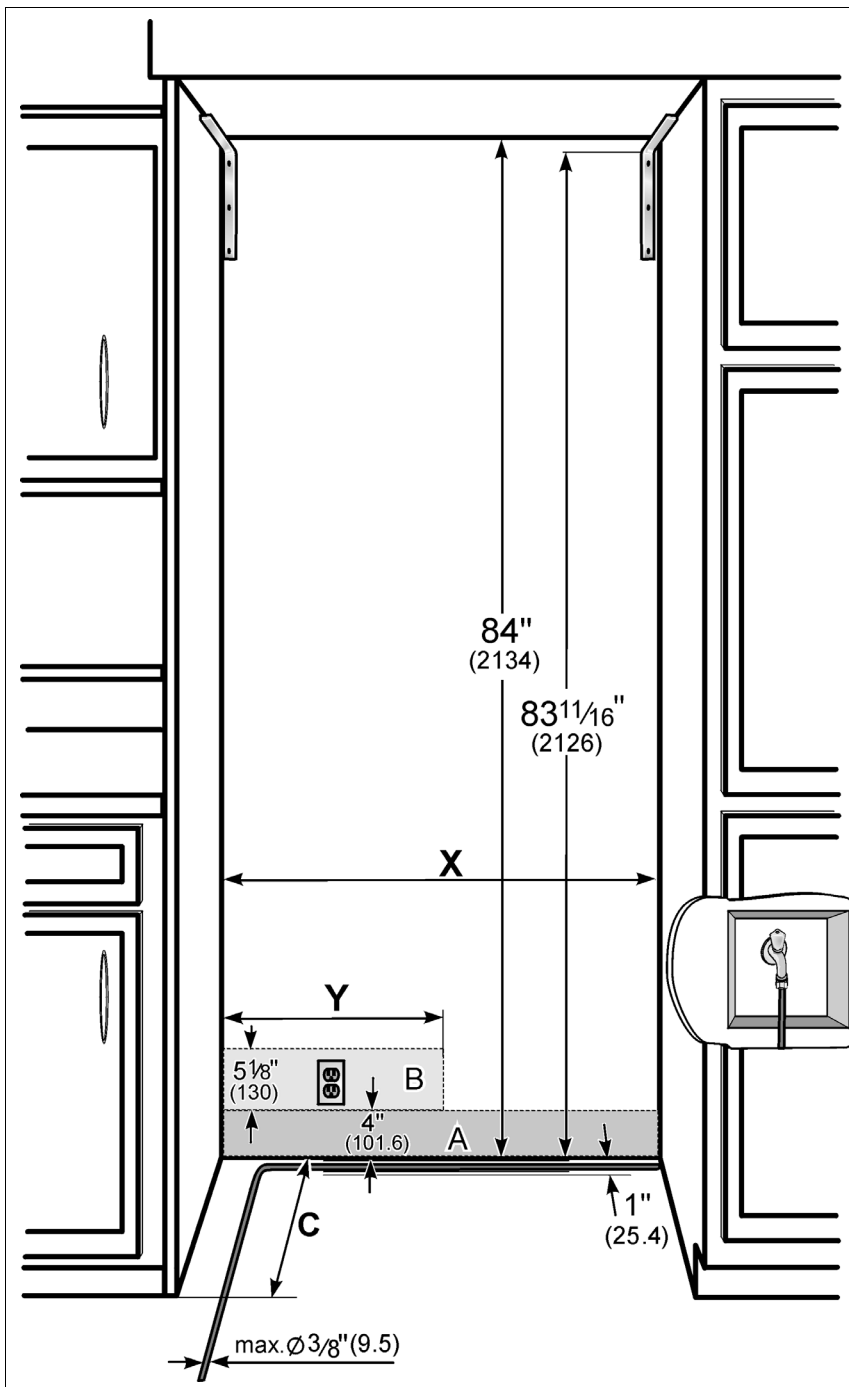
Le fonctionnement du distributeur automatique de glaçons demande la présence d'une arrivée d'eau froide terminée par un raccord. La pression de l'eau doit être comprise entre 25 et 120 p.s.i. (1,72 et 8,25 bars). L'installation doit avoir lieu en respectant la réglementation appliquée par les installateurs d'équipements sanitaires.

Sur la conduite d'arrivée d'eau froide, il faut intercaler un robinet de fermeture à part. Ce robinet ne doit pas se trouver derrière l'appareil. Il est recommandé de monter ce robinet directement à côté de l'appareil ou dans un autre endroit facilement accessible.

Au moment d'installer le raccordement de l'eau, respectez bien les zones admettant le passage de la conduite d'eau. Pour réaliser le raccordement au réseau d'eau potable, il ne faut utiliser que des conduites d'eau adaptées à l'eau potable. Il faut respecter la réglementation nationale et les conditions de raccordement publiées par les compagnies distributrices d'eau locales.

Lors du raccordement de l'eau, examinez les zones d'installation admises pour la conduite. En ce qui concerne les zones d'installation permises et les dimensions, reportez-vous à la section intitulée «Dimensions d'installation». La conduite d'eau (sans les pièces de jonctions) doit faire au maximum $\frac{3}{8}$ " (9,5 mm) de diamètre extérieur.

Dimensions de la cavité d'installation



Largeur de l'appareil X		Y	
29 ³ / ₄ " (756 mm)	30" (762 mm)	15" (381 mm)	
35 ³ / ₄ " (908 mm)	36" (914 mm)	18" (457 mm)	

Important :

Les parois latérales de la niche doivent être parfaitement planes et sans surépaisseur. Si la niche est configurée en unité séparée, il faudra que les parois latérales soient absolument planes et sans surépaisseur sur 4" (100 mm) minimum.

Légende :

A Représente la zone où installer le raccordement de l'eau.

Nous recommandons de placer la boîte à eau à côté de la cavité d'installation de façon à pouvoir l'atteindre, lors d'activités de maintenance, sans devoir désinstaller l'appareil. Si ce n'est pas possible, placez la boîte à eau dans la zone foncée.

B Représente la zone où installer le raccordement de l'électricité.

C Profondeur d'ouverture de la cavité, ceci dépendant de la configuration de la cuisine.

C = 24" (610 mm) minimum.

Accessoires et outillage requis

Accessoires fournis

- Instructions d'installation
- Instructions d'utilisation
- Kit d'installation

Accessoires en option

Kit de jointolement pour combinaison de base côte à côte

Ce kit permet le raccordement permanent de deux appareils individuels, par exemple d'un congélateur à côté d'un réfrigérateur.

Chauffage latéral d'appoint

Si l'espace vide entre les appareils est inférieur à 6" (160 mm)

Pièce d'union des panneaux (bande métallique)

Elle sert à raccorder deux portes de meuble (voir explication à la rubrique « **C** / 4. Préparation des portes de meuble »). Utilisable, sans autre travail préparatoire, avec les portes de meuble d'une hauteur standard.

Autres

- Escabeau
- Socle mobile, diable brouette
- Perceuse à percussion pour percer des trous dans le mur ou le sol
- Forets adaptés aux matériaux et de différentes dimensions
- Madrier (section minimum 3" x 4") à titre de protection alternative contre le renversement, d'une longueur correspondant à la cavité d'installation
- Vis à bois de différentes tailles
- Matériau mince pour protéger le revêtement de sol (en linoléum par exemple) contre les dégâts
- Matériau approprié pour recouvrir et protéger les meubles (par ex. feuilles protectrices).
- Ruban adhésif

Remarque :

Avant l'utilisation, vérifiez si le ruban adhésif laisse des traces de colle sur les surfaces des pièces ! S'il en laisse, ne l'utilisez pas sur les surfaces de haute qualité.

Outils



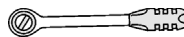
Visseuse sans cordon



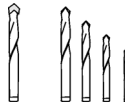
Embout Torx T20 / T30 + support magnétique



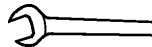
Tournevis Torx T20



Clé à pipe $5/16"$ (8 mm) pour écrou hexagonal



Forets à bois de différentes tailles



Clé à fourche $1/2"$, calibre 13



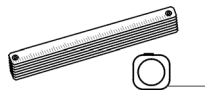
Pince multiprises



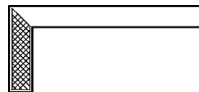
Clé anglaise



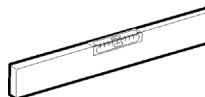
Cutter à lame ajustable



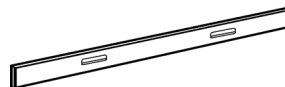
Mètre pliant, mètre à ruban métallique



Équerre



Niveaux à bulle de 2' (60 cm) et 4' (1,2 m)



Règle d'alignement, longueur minimum 4' (1,2 m)

Instructions d'installation

Les instructions d'installation suivante décrit les étapes de montage pour différents types d'appareils. Pour cette raison et selon les circonstances, il peut arriver que le contenu des illustrations ne corresponde pas exactement avec les appareils réels. La notice décrit les étapes de montage spécifiques à certains types d'appareils.

1. Vérification de la cavité d'installation

⚠ ATTENTION

Pour une installation sûre et sans contretemps, utilisez la check-list suivante :

1. Vérifiez le sol. Suivez les instructions dans la section «Lieu d'installation».
2. Vérifiez la dimension de la cavité. Suivez les instructions dans la section « Dimensions de la cavité d'installation».
3. Vérifiez que la cavité présente des angles droits.
4. Vérifiez l'emplacement de la prise. Respectez également les instructions dans la section « Raccordement à l'alimentation électrique », ainsi dans la section « Dimensions d'installation ».
5. Vérifiez l'emplacement du branchement de l'eau (uniquement pour les appareils équipés d'un distributeur de glaçons. Respectez également les instructions dans la section « Raccordement de l'eau », ainsi dans la section « Dimensions d'installation ». Vérifiez la fixation des meubles/appareillages adjacents. Toutes les pièces constitutives d'un meuble à proximité de l'appareil doivent être fixées de manière sûre contre le mur.
6. Vérifiez la fixation des meubles/appareillages adjacents. Toutes les pièces constitutives d'un meuble à proximité de l'appareil doivent être fixées de manière sûre contre le mur.
7. Vérifiez que les meubles/appareillages adjacents n'entreront pas en collision (angle d'ouverture de porte).

2. Enlèvement de l'emballage

⚠ AVERTISSEMENT

Risque de dommages corporels et d'endommager l'appareil !

- L'appareil risque de se renverser au déballage.
- L'appareil peut basculer en avant lorsque vous ouvrez sa porte.
- L'appareil est très lourd.

Largeur de l'appareil	Poids (à vide) ca.
Réfrigérateur/congélateur combinés 30" (75,6 cm)	440 lbs (198 kg)
Réfrigérateur/congélateur combinés 36" (90,3 cm)	558 lbs (251 kg)

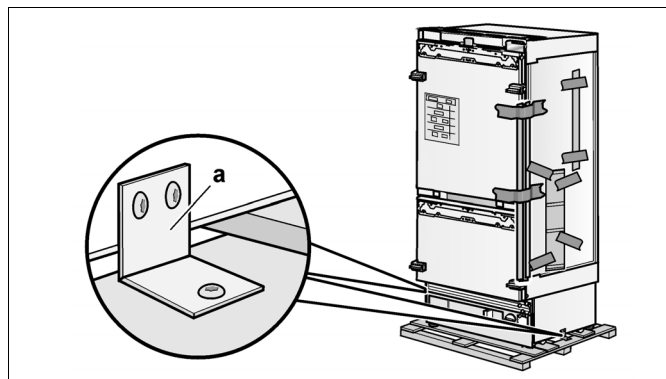
Remarque :

Vérifiez si l'appareil présente des dégâts dus au transport.

Si l'appareil présente des dégâts visibles, ne l'installez pas. En cas d'incertitudes, veuillez prendre contact avec le revendeur.

Pour protéger le sol contre les dégâts pendant l'installation :

1. Enlevez le carton. Utilisez le cutter avec prudence pour ne pas endommager les surfaces de l'appareil.
2. Placez sous l'appareil du carton d'emballage ou du contreplaqué.
3. Retirez les accessoires fixés contre l'extérieur de l'appareil. Conservez les rubans adhésifs avec lesquels les accessoires d'origine étaient fixés contre l'appareil. Ils serviront plus tard à fixer les protège-bords contre les parois de cavité (voir section « **A** / 3. Fixation du protège-bords »).
4. Détachez la cale de transport (a) et soulevez l'appareil de la palette – Attention, il est très lourd !



- Ouvrez prudemment l'appareil – Attention, il risque de se renverser – et retirez les accessoires ainsi que la quincaillerie de montage présente à l'intérieur. Refermez la porte.

Remarque:

N'enlevez les cales de transport, servant à protéger les tiroirs et casiers de rangement dans l'appareil, qu'après avoir achevé l'installation, car ces pièces risquent sinon d'être endommagées.

3. Transporter l'appareil

⚠ AVERTISSEMENT

Soyez prudent sinon les assistants risquent de se blesser ou l'appareil de s'endommager.

L'appareil est très lourd !

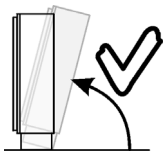
L'appareil fait 83¹/₈" (2126 mm) de haut. Si le transport en position debout n'est pas possible du fait de la configuration du lieu, il est possible de le transporter couché.

Remarque:

Ne soulevez pas l'appareil par les panneaux latéraux ! Risque d'endommagement !

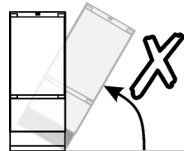
Au moment de redresser l'appareil, respectez la hauteur minimum nécessaire sur le lieu d'installation, ainsi que le contenu du tableau suivant :

Redressement via le dos de l'appareil



Hauteur minimum
86" / 2185 mm

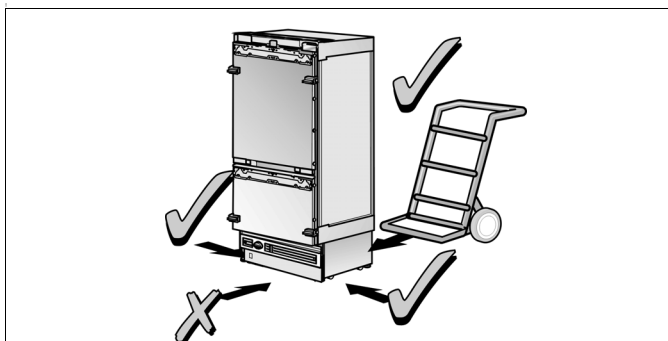
Redressement via les panneaux latéraux de l'appareil



Ne soulevez pas l'appareil par les panneaux latéraux !

Remarque:

Appliquez toujours le moyen de transport au dos de l'appareil. Ne le passez jamais sous l'avant ou sous un côté de l'appareil. Vous risquez sinon d'endommager l'appareil.

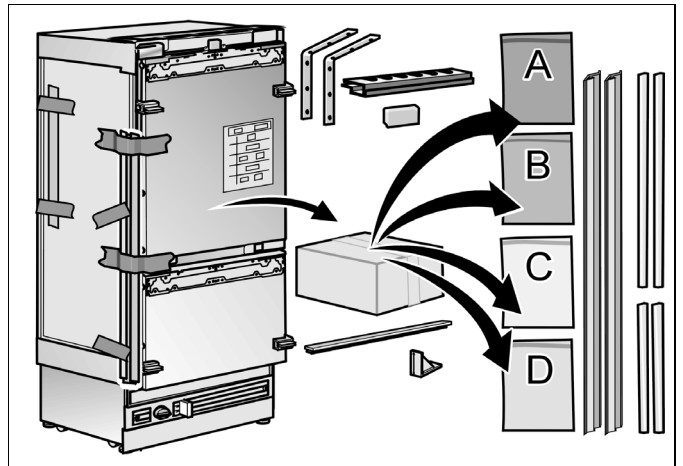


- Transportez l'appareil avec un moyen de transport approprié au lieu d'installation et à l'appareil (diable, chariot élévateur ou chariot à roulettes).
- Sécurisez l'appareil pour empêcher son renversement pendant le transport.

4. Préparation du montage

Déballez la quincaillerie de montage et les accessoires.

Pour faciliter le montage, les paquets ont été revêtus des étiquettes A, B, C et D correspondant aux sections dans la notice de montage.



5. Étapes spéciales de montage

Le symbole suivant indique des étapes de travail supplémentaires à effectuer avant de passer au chapitre suivant.

Les étapes d'installation spéciales sont décrites au-delà de la section D.



- Inversion du sens d'ouverture de porte, voir « Inversion du sens d'ouverture de porte »
- Installation côte à côte, voir « Installations d'appareils côte à côte ».
- Raccordement de l'eau, voir « Préparation du raccordement de l'eau » et « Préparation du raccordement de l'eau ».
- Tige butée de porte, voir « Ajustage de l'angle d'ouverture de porte ».

1. Fixation des cornières anti-renversement

⚠ AVERTISSEMENT

Risque de blessures et d'endommagement !
Veillez à ce qu'il n'y ait aucun fil électrique ou conduite dans lesquels les vis risqueraient de pénétrer.

⚠ AVERTISSEMENT

Risques de blessures !
Portez toujours des lunettes enveloppantes ou d'autres dispositifs et équipements de protection nécessaires lorsque vous installez des ancrages ou travaillez avec des ancrages.

Remarque important :

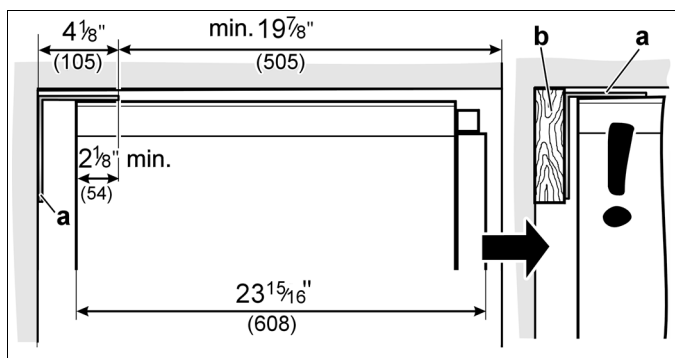
S'il a été prévu d'installer deux appareils côte-à-côte, les cornières anti-renversement sont nécessaires en tant qu'accessoires de montage. Pour cette raison, reliez les deux appareils entre eux avant de fixer les cornières anti-renversement, voir « Installations d'appareils côte à côte ».

Remarques :

- Chaque appareil requiert 2 cornières anti-renversement.
- Le kit livré d'origine contient des vis de fixation adaptées à différentes surfaces-supports. Choisissez les vis en fonction de la nature de la surface.
- Si les vis livrées d'origine ne permettent pas de fixer de manière sûre les cornières anti-renversement, donc l'appareil, il faudra choisir une autre méthode appropriée pour fixer l'appareil sans risquer qu'il se renverse.

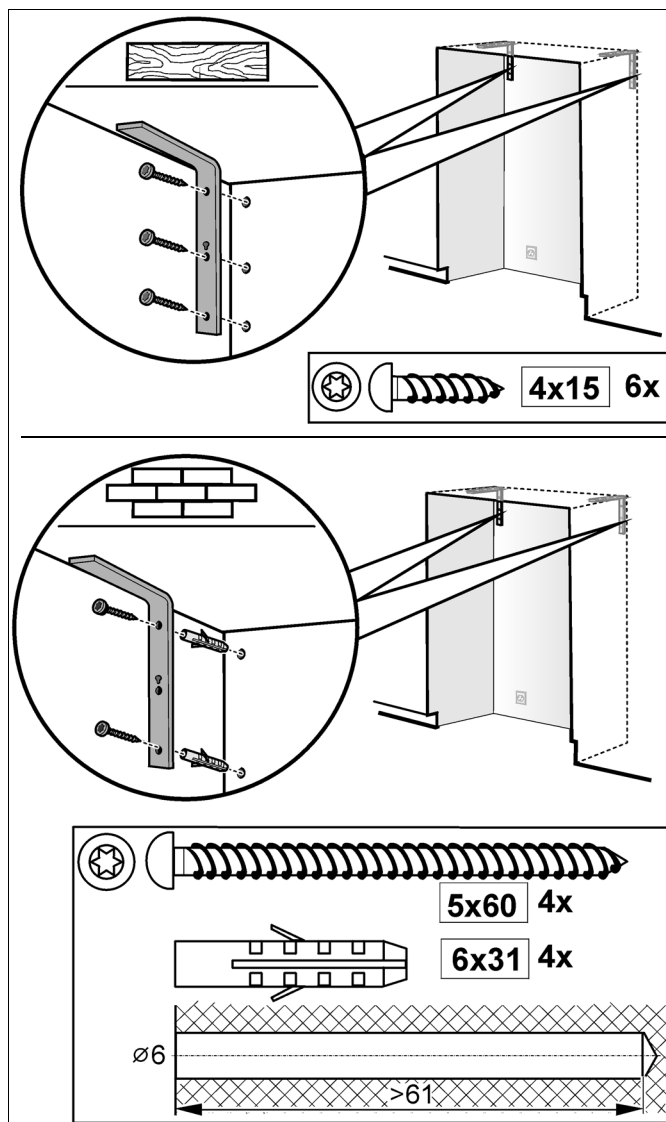
Pour retenir les appareils sûrement à la verticale, les cornières anti-renversement (a) doivent les retenir par une longueur d'au minimum $2\frac{1}{8}$ " (54 mm).

Si les impératifs structurels empêchent de respecter cette longueur minimum, il est malgré tout possible d'y parvenir en intercalant un dispositif compensateur derrière la cornière anti-renversement, une planche suffisamment épaisse (b) par exemple.



Il faudrait que la longueur de la planche corresponde à la largeur de la cavité d'installation !

1. Définissez les points de fixation des cornières anti-renversement.
Déterminez les dimensions détaillées conformément à la section « Dimensions d'installation ».
2. Fixez complètement les cornières anti-renversement. Assurez-vous que les vis tiennent fermement.



Remarques importantes visant la fixation par chevilles et vis :

- Ancres déconseillées dans la maçonnerie légère ou dans des matériaux tels que les parpaings ou les briques.
- Ancres déconseillées dans le béton neuf qui n'a pas encore eu le temps de prendre.
- Pour percer les trous, n'utilisez pas de foret aléueur (foret à fraiser).

2. Fixation d'un dispositif anti-renversement alternatif

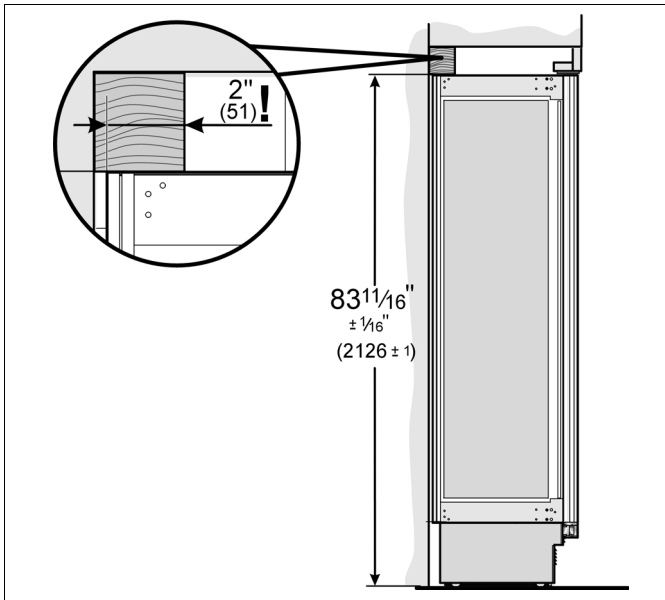
Remarque important :

S'il n'est pas possible de fixer les cornières anti-renversement de manière sûre, vous pouvez fixer un dispositif anti-renversement alternatif. Toutefois, veillez à ce qu'il n'y ait pas de jeu entre l'appareil et le dispositif anti-renversement. Si possible, vissez toujours le madrier contre les tenons préexistants situés sur le panneau arrière de la cavité.

1. Sciez le madrier (section minimum 3" x 4") à la longueur requise. La longueur est égale à la largeur de la cavité d'installation !

Remarques :

- Si la cavité d'installation est plus profonde que l'appareil, sélectionnez un madrier qui présente une plus forte section ou fixez 2 madriers l'un contre l'autre.
- Le madrier doit recouvrir l'appareil sur au moins 2" (50,8 mm).



2. Sur le panneau arrière de la cavité, marquez la hauteur de l'installation (bord inférieur du madrier).
3. Sélectionnez les vis conformément à l'épaisseur du madrier : longueur = 2,5 min. x épaisseur du madrier, diamètre #12 ou #14.

Remarque:

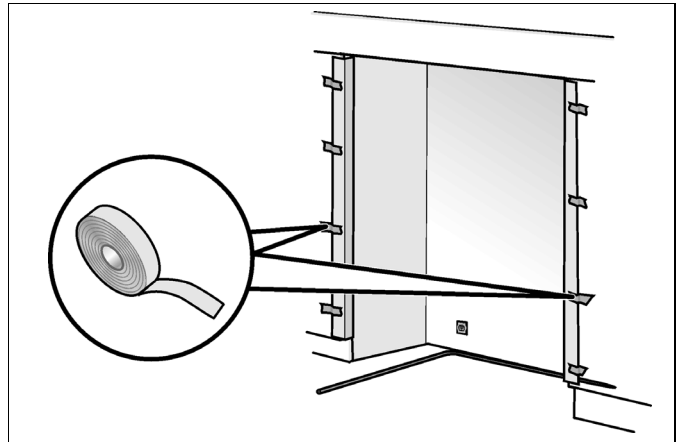
Déterminez le nombre de vis en fonction de la largeur de la cavité, en veillant à ce que le madrier puisse être fixée de manière sûre.

4. Suivant la nature de la surface support :
Recherchez des supports dans la paroi arrière de la cavité et percez les trous dans le madrier en fonction de la position de ces supports.
ou bien
Fixez des chevilles appropriées dans la paroi arrière.
5. Percez des trous préparatoires dans le madrier.
6. Fixez le madrier contre le panneau arrière de la cavité.

3. Fixation du protège-bords

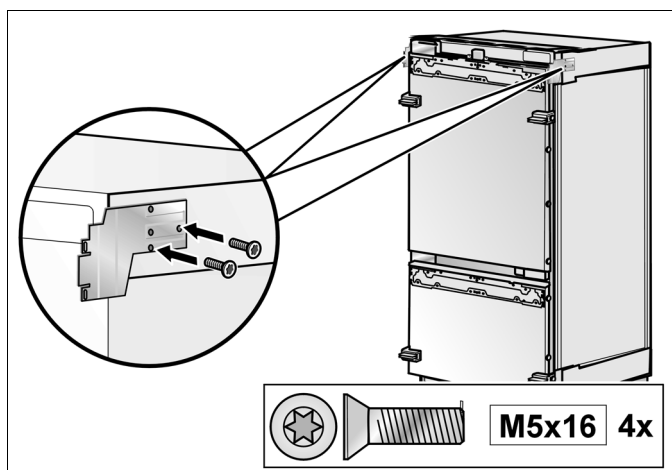
Pour protéger les arêtes de la cavité d'installation, il est recommandé d'utiliser des protège-bords en matériau approprié.

Pour les fixer, utilisez les morceaux de ruban adhésif qui ont servi à fixer les accessoires contre l'appareil.



A 4. Fixez les plaques de fixation (latérales)

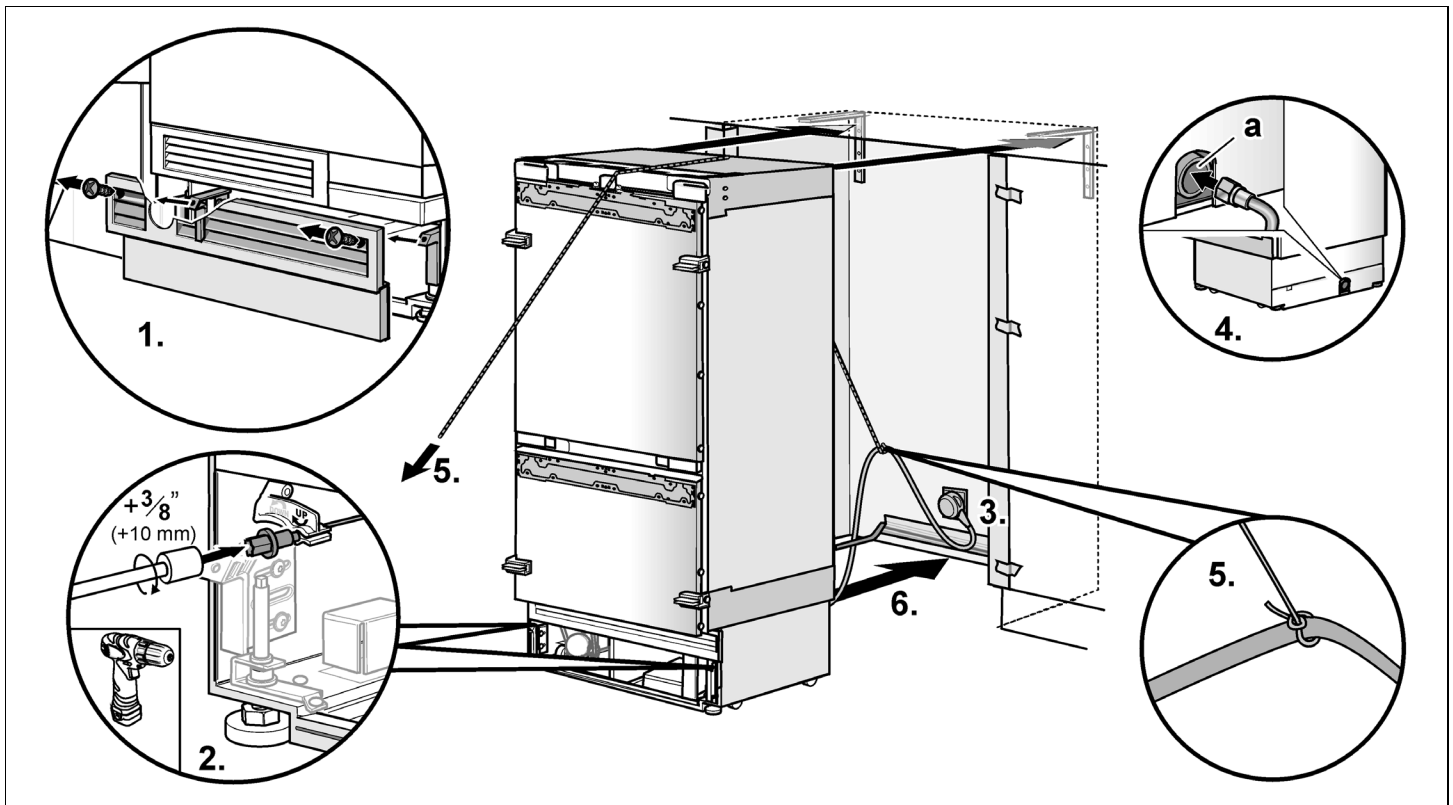
Fixez les plaques de fixation (latérales) contre l'appareil.



Des étapes de montage spéciales suivent. Des instructions sont fournies au-delà de la section D.

- Inversion du sens d'ouverture de porte, voir « Inversion du sens d'ouverture de porte ».
- Installation côte à côte, voir « Installations d'appareils côte à côte ».
- Raccordement de l'eau, voir « Préparation du raccordement de l'eau ».

1. Pousser l'appareil dans la cavité d'installation



⚠ ATTENTION

Prudence lorsque vous poussez l'appareil dans la cavité d'installation. Veillez bien à ne pas endommager la conduite d'eau ou le cordon d'alimentation électrique.

Remarque :

Si le plancher ou l'appareil n'est pas horizontal par rapport à la cavité d'installation, ajustez les roues réglables en hauteur avant d'introduire l'appareil dans la cavité d'installation.

1. Retirez le bandeau de socle.
2. A l'arrière, soulevez d'environ $\frac{3}{8}$ " (10 mm) les roues ajustables en hauteur.
3. Branchez la fiche mâle dans la prise de courant.
4. Au dos de l'appareil, poussez le flexible à eau dans le tube de protection (a).

⚠ AVERTISSEMENT

L'appareil risque de se renverser pendant l'insertion de la conduite de raccordement d'eau dans le tube de protection (a) !

5. Pour empêcher que le cordon électrique ne se coince :

Nouez une corde à mi-chemin du cordon puis faites passer la corde par dessus l'appareil. Au moment de pousser l'appareil, tirez le cordon électrique vers le haut. Veillez bien à ne pas pincer le cordon électrique.

Ou bien

Prenez du ruban adhésif, collez le cordon d'alimentation électrique contre le plancher, au centre derrière l'appareil, à env. 15" (380 mm) du panneau arrière de la cavité.

6. Poussez doucement l'appareil dans la cavité d'installation.
7. Retirez les protège-bords (s'ils avaient été fixés).

2. Alignement de l'appareil dans la cavité d'installation

Remarque :

Pour assurer que l'appareil fonctionne correctement, il faut le niveler impeccablement.

Alignement en profondeur

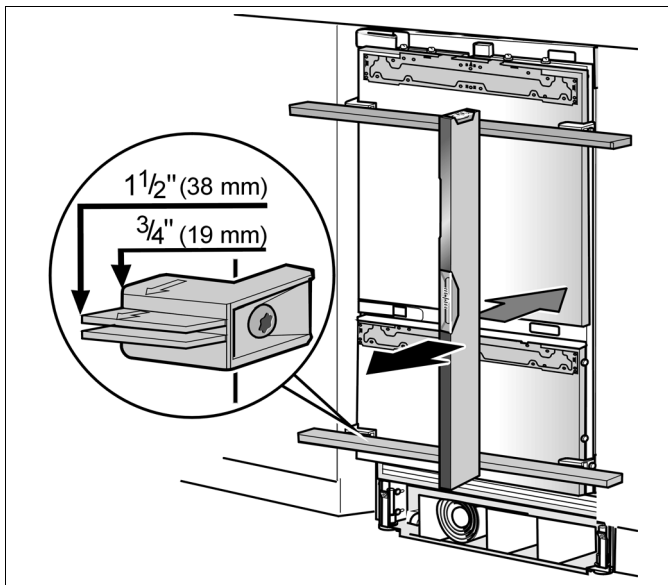
Ces pièces d'aide à l'installation ont été conçues pour des portes de meuble faisant l'épaisseur totale suivante :

- $\frac{3}{4}$ " (19 mm)
- $1\frac{1}{2}$ " (38 mm)

Tenez toujours compte de l'épaisseur, peut-être différente, des façades de meuble qui devront être installées par la suite.

1. Alignez l'appareil sur la façade des meubles.

Placez le niveau à bulle sur les règles situées sur la porte et servant d'aide à l'installation.



Alignement en hauteur

Remarques :

- Ne voilez pas ni ne poussez pas l'appareil de force dans la cavité ! Lorsque vous dévissez les pieds réglables en hauteur, procédez graduellement : alternez en permanence entre les côtés gauche et droit, etc.
- Si vous délestez l'arrière de l'appareil, l'ajustage de ses pieds arrière réglables est plus facile.
- En cas d'utilisation d'un madrier en bois comme sécurité anti-renversement alternative, tournez les pieds réglables en hauteur jusqu'à ce que l'appareil viene buter contre le madrier. Ne le coincez pas contre le madrier !

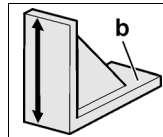
Les pieds réglables en hauteur équipant l'avant et l'arrière de l'appareil se laissent régler depuis l'avant de l'appareil.

Avant : A l'aide d'une clé à fourche $\frac{1}{2}$ " (calibre 13).

Arrière : A l'aide d'un tournevis à douille $\frac{5}{16}$ " (8 mm) via une queue flexible.

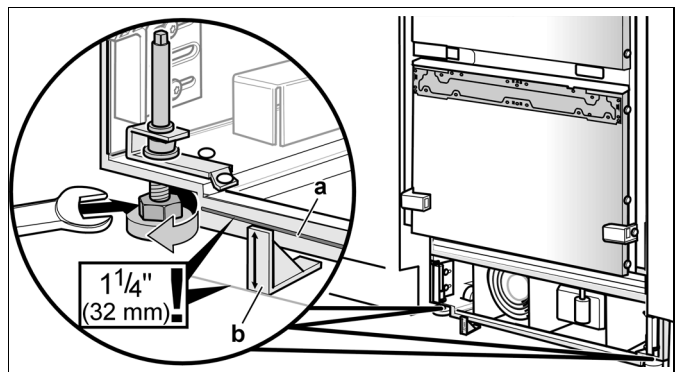
A titre de cote de référence pour l'ajustage en hauteur, une marque (a) a été apposée contre la base de l'appareil. Lors de l'ajustage, il faudra amener cette marque sur une hauteur de $1\frac{1}{2}$ " (32 mm) au-dessus du sol.

Il est très important de respecter cette dimension pour pouvoir ensuite aligner les façades des meubles.

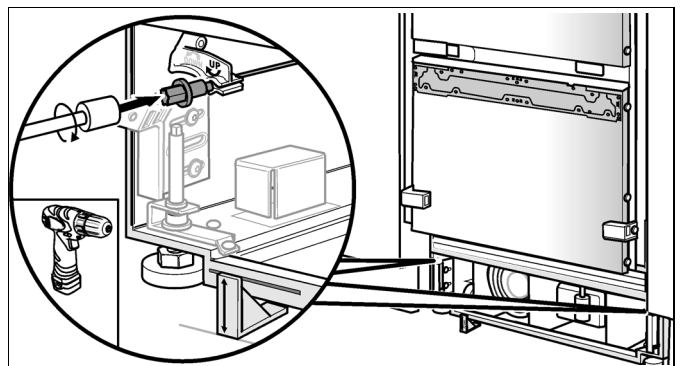


Le gabarit d'ajustage en hauteur (b) sert à régler la hauteur correctement. Il faut que le bord supérieur du gabarit soit aligné sur le marquage figurant sur l'appareil.

2. Dévissez un peu les pieds à l'avant de l'appareil jusqu'à ce que le repère (a) sur ce dernier soit aligné sur le bord supérieur du gabarit d'ajustage en hauteur (b).



3. Alignez verticalement l'appareil par ses pieds arrière. Utilisez un niveau à bulle !

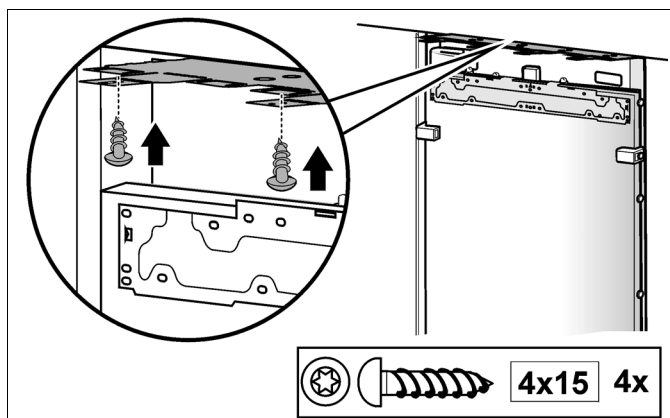


3. Fixation de l'appareil dans la cavité d'installation

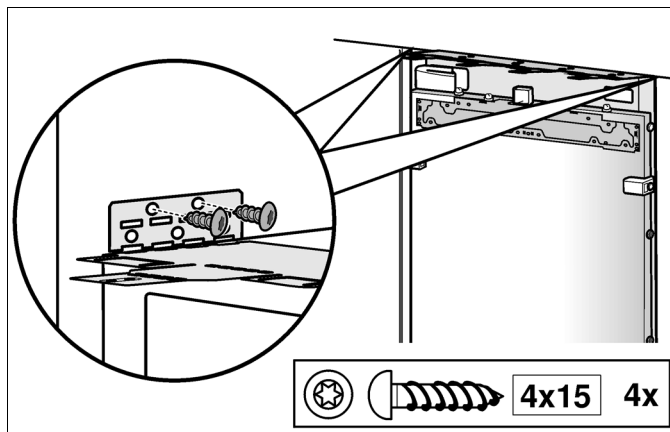
Remarque :

Il est d'une importance cruciale de fixer l'appareil contre le plafond de la cavité d'installation.

1. Vissez les pattes de fixation (en haut) contre le meuble/les appareillages du dessus.
2. En présence d'une cavité assez importante au dessus de l'appareil, montez impérativement un madrier aux dimensions adaptées et sans jeu au dessus de l'appareil.

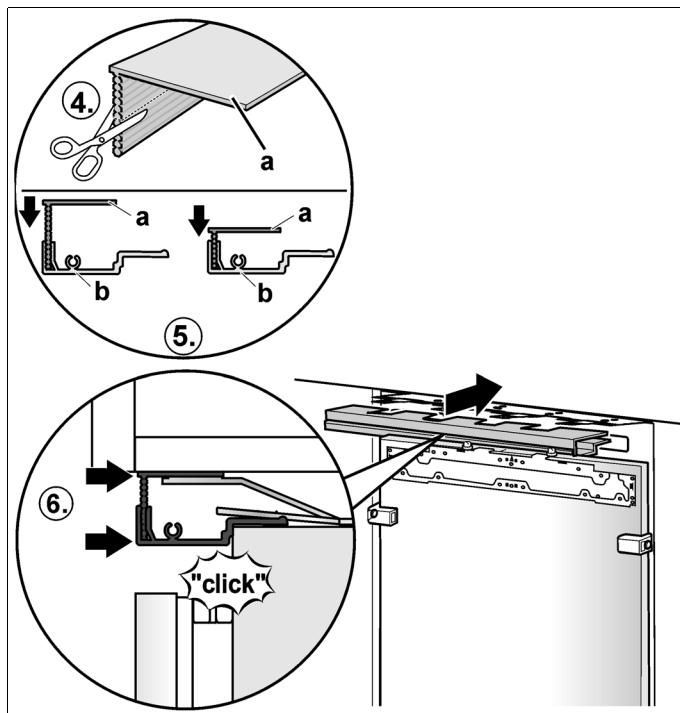


3. S'il y a suffisamment de place au dessus de l'appareil, fixez les pattes latérales (supérieures) de la plaque de montage contre chaque côté de la cavité.



4. Raccourcissez le bandeau d'ajustage (a) à la hauteur voulue pour combler l'interstice.
5. Enfoncez le bandeau d'ajustage (a) dans la baguelette couvre-joints.

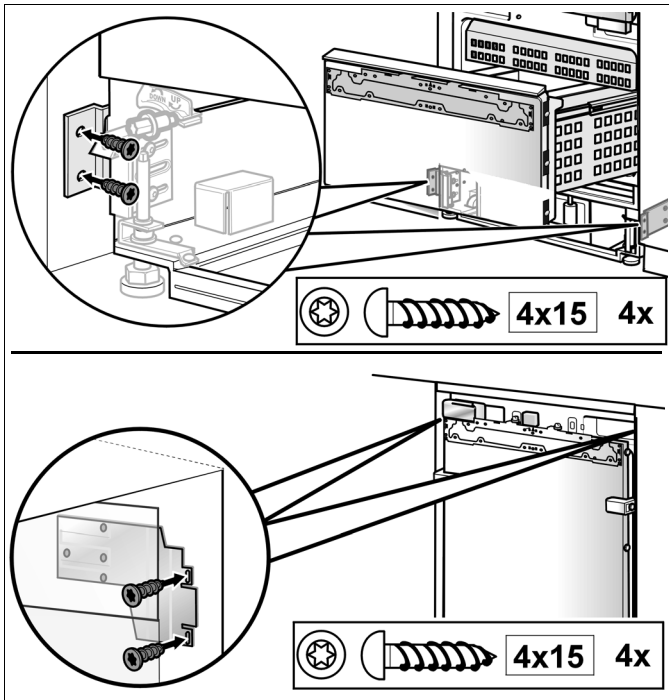
6. Fixez la baguelette couvre-joints (b) contre la plaque de montage (en haut).



B

4. Fixez l'appareil contre la paroi latérale de la cavité d'installation

B Vissez les pattes de fixation (latérales) contre le meuble/ les appareillages adjacents (uniquement dans le cas d'un appareil individuel).



Une étape de montage spéciale suit. Des instructions sont fournies au-delà de la section D.

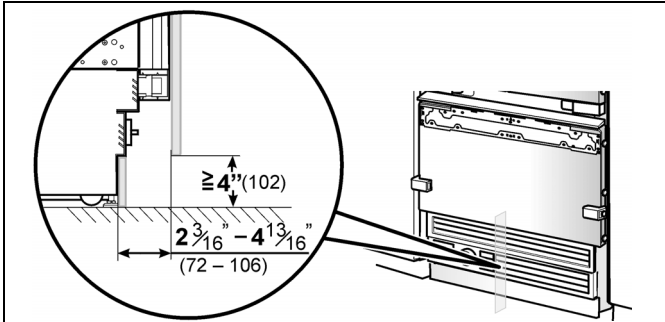
- Raccordement de l'eau, voir « Préparation du raccordement de l'eau ».

1. Fixez le bandeau de socle

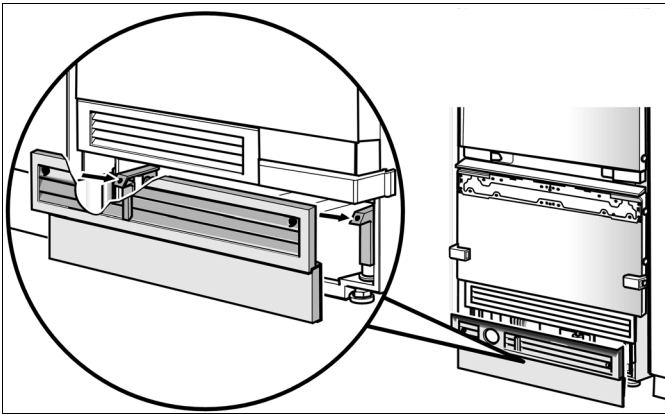
Remarque :

Risque d'endommager l'appareil. Ne recouvrez pas les ouïes de ventilation que comporte le panneau de base.

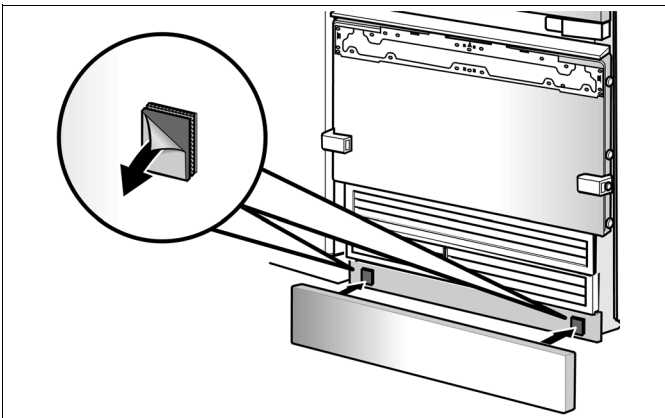
Dimensions nominales à respecter :



1. Le cas échéant, il sera nécessaire de découper le bandeau de socle à la longueur nécessaire.
2. Appliquez l'habillage de socle contre l'appareil (sans le visser).



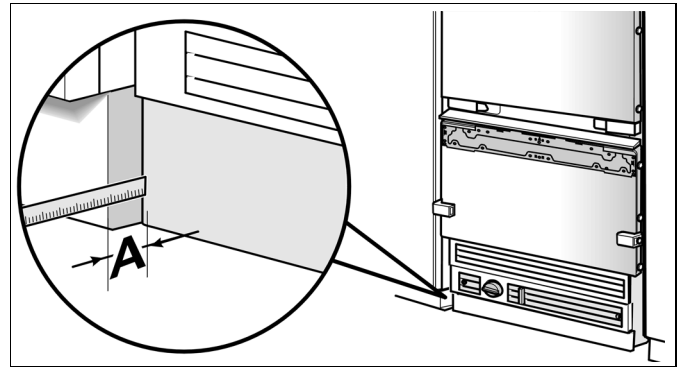
3. Retirez le film anti-adhésif situé sur les rubans adhésifs de bande Velcro.
4. Présentez le bandeau de socle contre l'habillage du socle puis appuyez à fond.



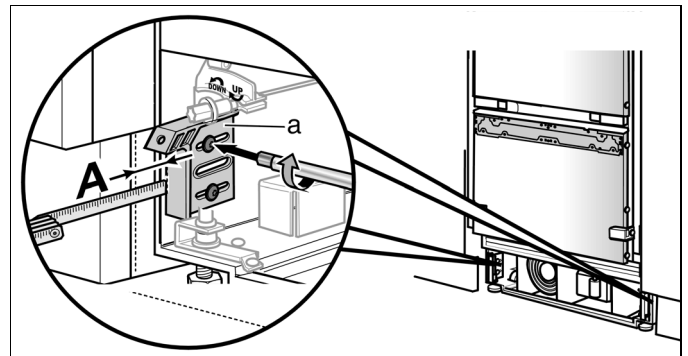
5. Il est possible de visser le bandeau de socle par l'arrière avec l'habillage du socle. L'habillage du socle comporte des trous à cette fin.

2. Aligner l'habillage du socle

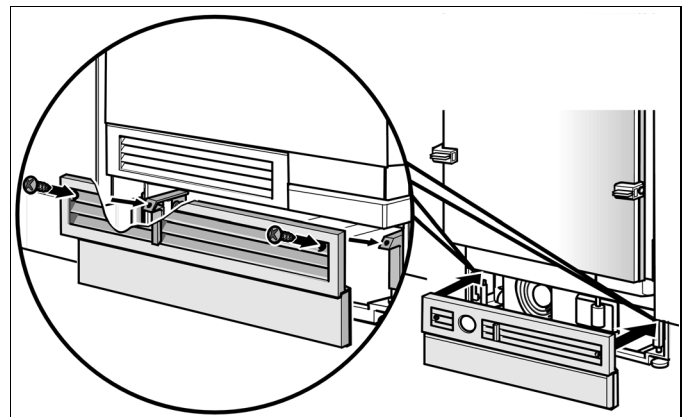
1. Appliquez l'habillage de socle contre l'appareil (sans le visser).
2. Mesurez la différence de profondeur **A** entre l'habillage du socle et le bandeau de socle qui équipe les placards inférieurs voisins.



3. Enlevez à nouveau l'habillage du socle.
4. Réglez la cornière (a) sur la valeur **A** et vissez-la à fond.



5. Fixez l'habillage du socle.



3. Mise en service de l'appareil

Pour garantir la précision des étapes de montage suivantes, donc pour que l'aspect de l'ensemble de la façade du meuble soit esthétique, il faut mettre maintenant l'appareil en service.

1. Ouvrez la porte de l'appareil.
2. Actionnez la touche Marche / Arrêt de l'appareil.

Uniquement pour les appareils équipés d'un raccordement à l'eau :

Pour éviter les risques de dégâts que provoquerait l'eau en fuyant si la conduite d'eau a été endommagée, le robinet de fermeture doit pour l'instant rester fermé.

4. Préparation des portes de meuble

Remarque importante :

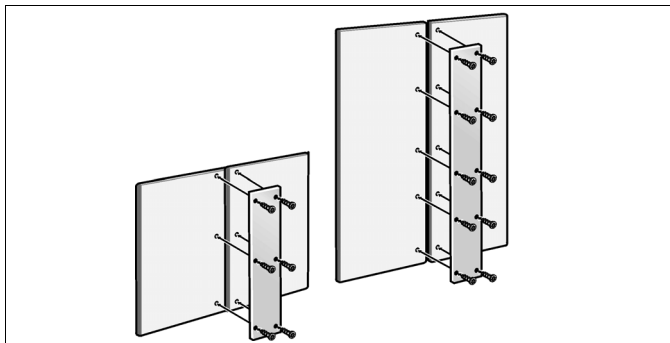
Lors de travaux sur des portes de meuble, respectez toujours les consignes suivantes :

- Effectuez toujours les vissages dans la partie, capable de supporter la plus forte charge, de la porte du meuble. Ne vissez jamais entre autres dans des volumes comblés avec des matériaux n'offrant aucune solidité.
- Choisissez toujours des vis plus courtes que l'épaisseur de la façade de meuble.
- Pendant l'installation, protégez les surfaces des portes de meuble contre les risques d'endommagement.

Le poids total de la porte de meuble, poignée incluse, ne doit pas dépasser les valeurs suivantes :

Largeur de l'appareil	Poids total de la porte de meuble
30" (76 cm)	
- Comp. réfrigérateur	44 lbs/20 kg
- Tiroir de congélation	25 lbs/11,5 kg
36" (91 cm)	
- Comp. réfrigérateur	57 lbs/26 kg
- Tiroir de congélation	28,5 lbs / 13 kg

Sur les appareils en 30" (76 cm) et 36" (91 cm) de largeur, il est possible de monter côte-à-côte deux portes de meuble à la place d'une grande porte. Il faudra relier ensuite ces deux portes au dos par un bandeau métallique.



Ce bandeau métallique est disponible chez votre revendeur et constitue un accessoire d'installation (accessoire de jonction entre portes de meuble). Détails à ce sujet : voir la section « Accessoires et outillage nécessaires ».

Lorsque vous fixez le bandeau métallique aux portes de meuble, respectez la longueur maximum possible des vis et la position des trous de perçage. Vissez toujours dans la partie du matériau de porte la mieux en mesure de supporter la charge.

Remarques :

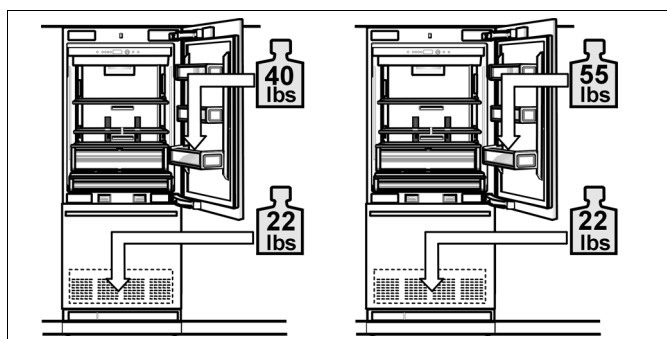
- Ne vissez jamais dans les garnitures de remplissage, baguettes enjoliveuses ou assimilées.
- Si vous ne voulez fixer qu'une porte de meuble à la porte d'un appareil faisant 30" (76 cm) ou 36" (91 cm) de largeur, fixez le panneau en sandwich, fourni, contre le rail d'ajustage et verrouillez en position.

5. Placement d'une charge dans la contre-porte

Lors de la fixation des portes de meuble, nous recommandons de placer des poids dans les casiers de rangement en contre-porte pour être sûr que les cotes interstitielles obtenues soient les plus précises possibles.

Recommandation de chargement :

Largeur de l'appareil	Charge placée en contre-porte
30" (76 cm)	
- Comp. réfrigérateur	40 lbs/18 kg
- Tiroir de congélation	22 lbs/10 kg
36" (91 cm)	
- Comp. réfrigérateur	55 lbs/25 kg
- Tiroir de congélation	22 lbs/10 kg

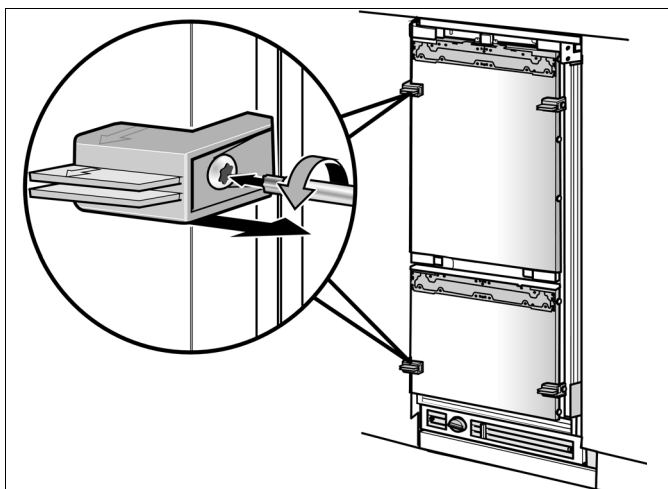


6. Démontez les accessoires de positionnement

Dévissez les accessoires de positionnement affectés à la porte de l'appareil.

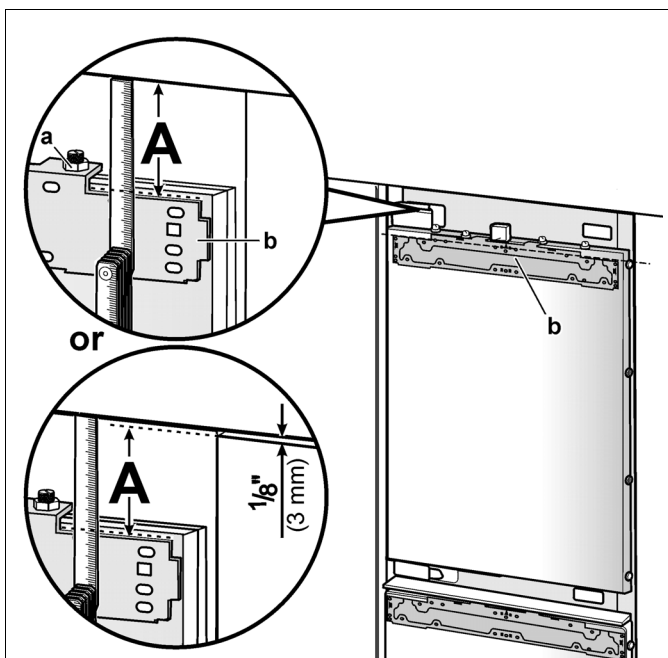
Remarque :

Ces accessoires de positionnement vont ressortir dans la suite du montage.

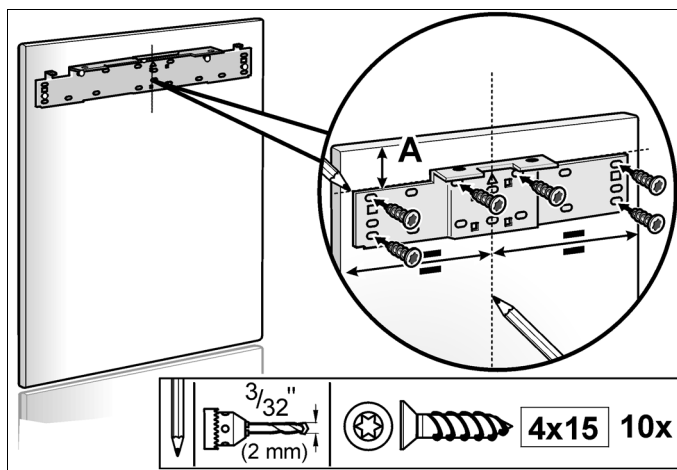


7. Fixation du profilé d'ajustage contre la porte du meuble (compartiment réfrigérateur)

1. Mesurez l'écart **A** entre le profilé d'ajustage et les meubles situés au dessus.



2. Desserrez les 2 écrous (a) et retirez le profilé d'ajustage (b).
3. Marquez la valeur de **A** au dos de la porte du meuble.
4. Déterminez le milieu de la porte du meuble et marquez-le.
5. Posez le profilé d'ajustage sur la porte du meuble puis alignez-le sur les repères. Marquez les emplacements des trous de perçage.
6. Percez les avant-trous.
7. Vissez le rail d'ajustage à fond.



Remarques :

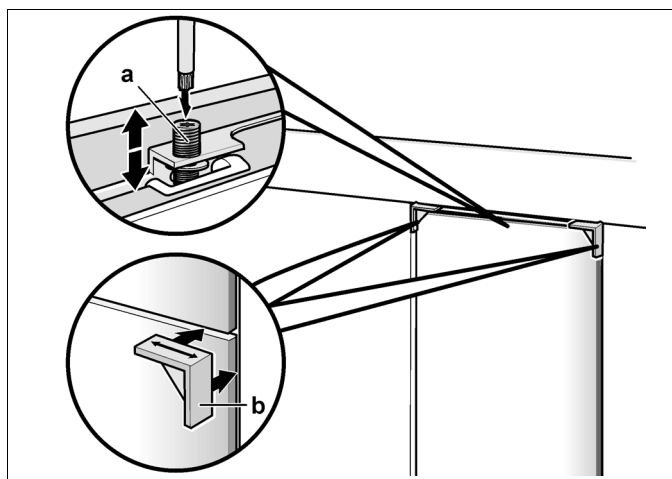
- Il faudrait visser une vis sous chaque goujon fileté.
- Le profilé d'ajustage est équipé de plusieurs trous tenant compte des variantes de design les plus diverses que peuvent présenter les portes de meubles. Effectuez toujours les vissages dans la partie, capable de supporter la plus forte charge, de la porte du meuble.

8. Fixer des profilés d'immobilisation contre la porte du meuble (compartiment réfrigérateur)

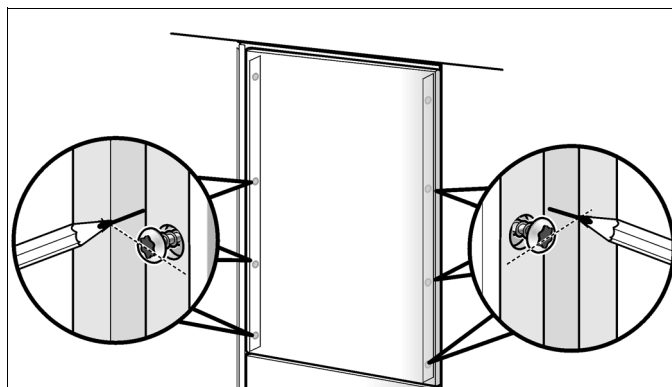
Remarque :

Sur les appareils avec portes en acier inoxydable disponibles en option, les profilés d'immobilisation ont été montés d'avance. Dans ce cas, passez à l'étape de montage suivante (« C / 9. Fixation du profilé d'ajustage contre la porte du meuble (compartiment congélateur) »).

1. Accrochez la porte de meuble aux goujons filetés (a).
2. Alignez la porte du meuble à l'aide des goujons filetés (utilisez le tournevis Torx). Vérifiez l'interstice sur tout son périmètre. Pour ce faire, utilisez le gabarit de montage (b).

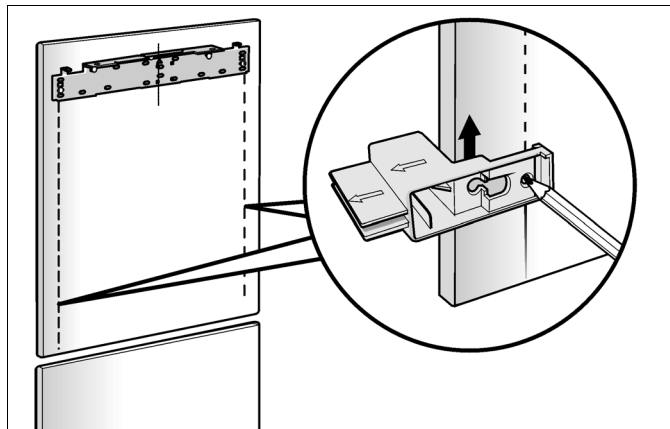


3. Sur la porte du meuble, reportez et marquez la position des vis de fixation sur l'arête extérieure de la porte de l'appareil.

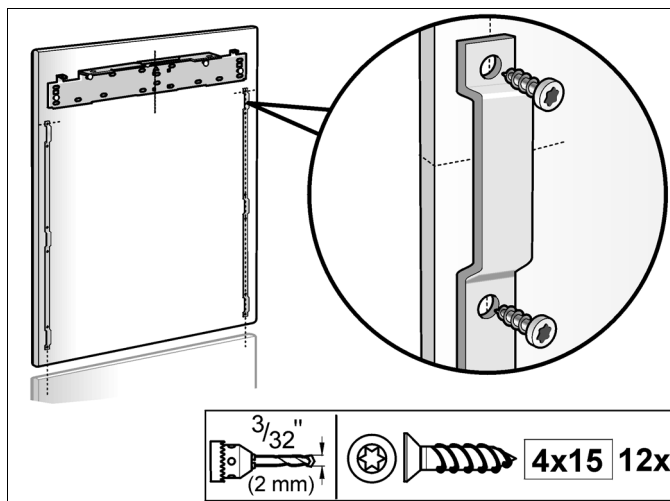


4. Retirez la porte de meuble.

5. A l'aide de l'accessoire de positionnement, tracez une ligne parallèle aux deux côtés longitudinaux de la porte du meuble.



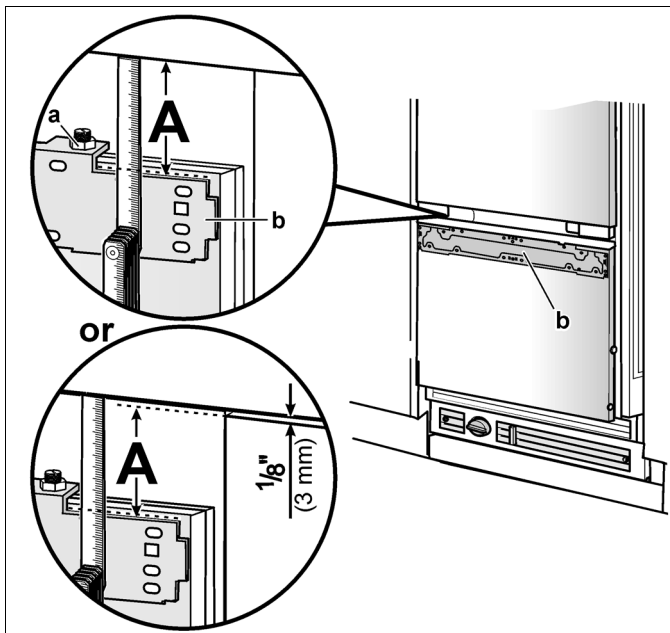
6. A l'aide d'une équerre de butée, allongez les marquages jusqu'à obtenir deux traits parallèles.
7. Appliquez les profilés d'immobilisation (b) et marquez l'emplacement des trous.
8. Percez les avant-trous.
9. Vissez les profilés d'immobilisation (b).



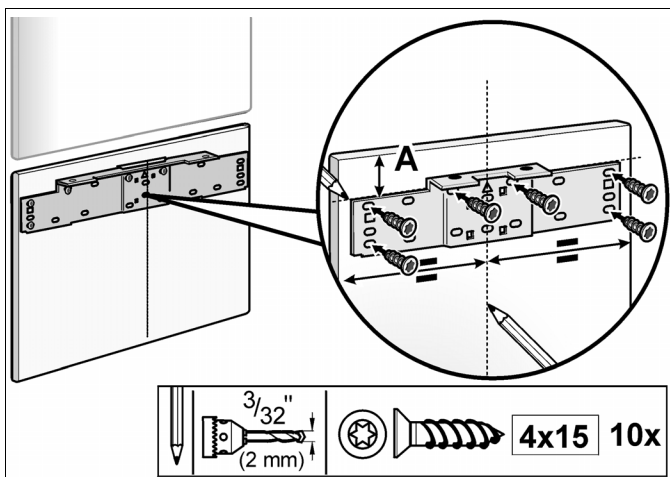
10. Accrochez la porte de meuble aux goujons filetés.

9. Fixation du profilé d'ajustage contre la porte du meuble (compartiment congélateur)

1. Mesurez l'écart **A** entre le profilé d'ajustage et le bord inférieur de la porte du compartiment réfrigérateur.



2. Desserrez les 2 écrous (a) et retirez le profilé d'ajustage (b).
3. Marquez la valeur de **A** au dos de la porte du meuble.
4. Déterminez le milieu de la porte du meuble et marquez-le.
5. Posez le profilé d'ajustage sur la porte du meuble puis alignez-le sur les repères. Marquez les emplacements des trous de perçage.
6. Percez les avant-trous.
7. Vissez le rail d'ajustage à fond.



Remarques :

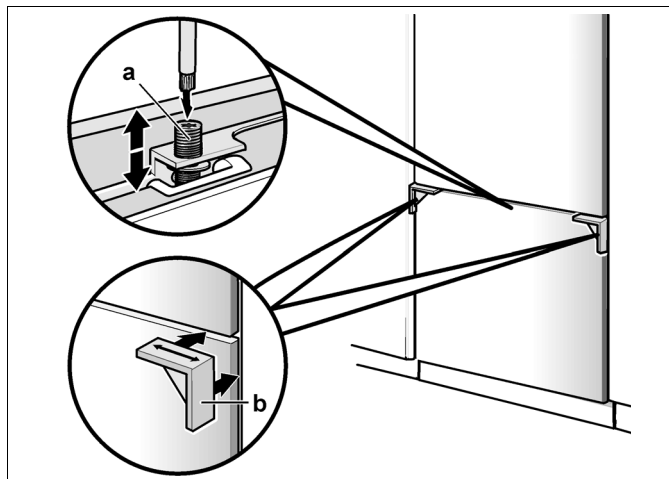
- Vissez le profilé d'ajustage à l'aide d'au moins 10 vis contre la porte du meuble. Il faudrait visser une vis sous chaque goujon fileté.
- Le profilé d'ajustage est équipé de plusieurs trous tenant compte des variantes de design les plus diverses que peuvent présenter les portes de meubles. Effectuez toujours les vissages dans la partie, capable de supporter la plus forte charge, de la porte du meuble.

10. Fixer des profilés d'immobilisation contre la porte du meuble (compartiment congélateur)

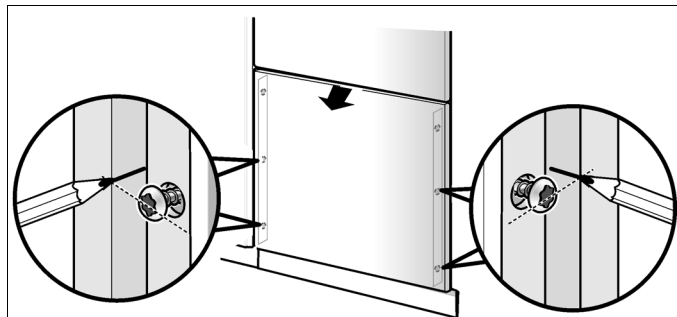
Remarque :

Sur les appareils avec portes en acier inoxydable disponibles en option, les profilés d'immobilisation ont été montés d'avance. Dans ce cas, passez à l'étape de montage suivante (« C / 11. Fixer la porte du meuble (compartiment congélateur) »).

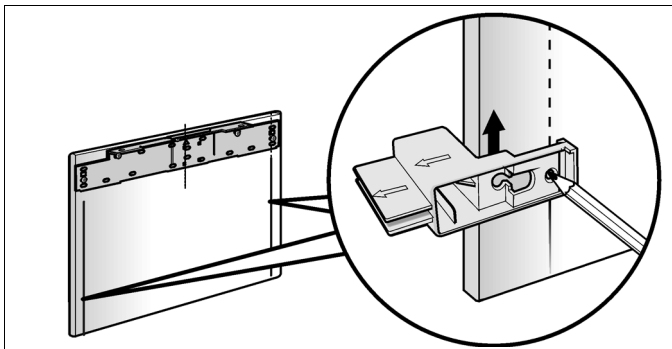
1. Accrochez la porte de meuble aux goujons filetés (a).
2. Alignez la porte du meuble à l'aide des goujons filetés (utilisez le tournevis Torx). Vérifiez l'interstice sur tout son périmètre. Pour ce faire, utilisez le gabarit de montage (b).



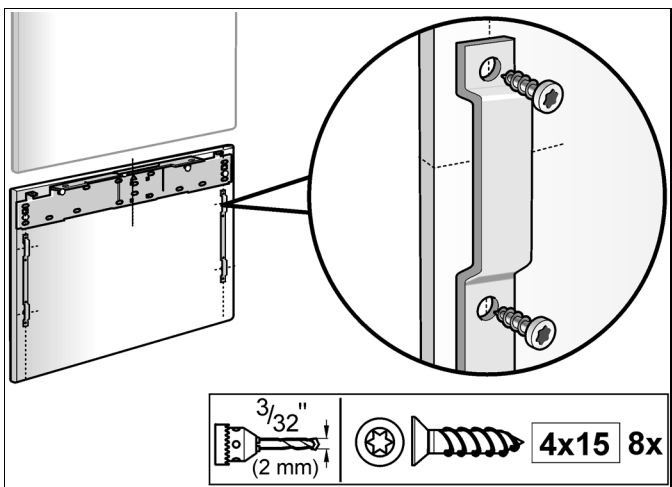
3. Sur la porte du meuble, reportez et marquez la position des vis de fixation sur l'arête extérieure de la porte de l'appareil.



4. Retirez la porte de meuble.
5. A l'aide de l'accessoire de positionnement, tracez une ligne parallèle aux deux côtés longitudinaux de la porte du meuble.



6. A l'aide d'une équerre de butée, allongez les marquages jusqu'à obtenir deux traits parallèles.
7. Appliquez les profilés d'immobilisation (b) et marquez l'emplacement des trous.
8. Percez les avant-trous.
9. Vissez les profilés d'immobilisation (b).

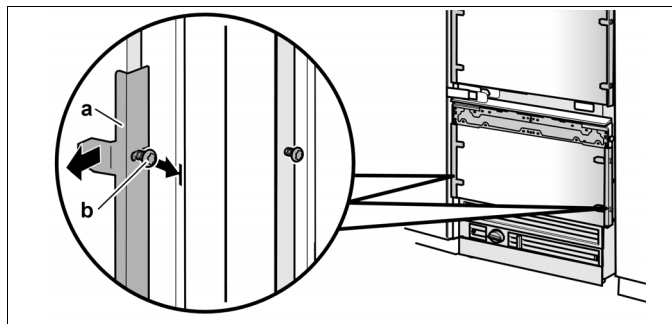


11. Fixer la porte du meuble (compartiment congélateur)

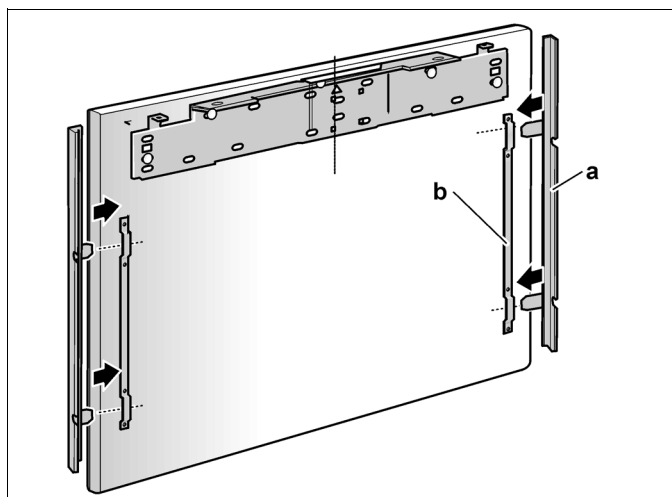
Remarque :

Maintenant, fixez les poignées de porte. Il faut les visser par le dos !

1. De la porte de l'appareil, détachez la cornière d'immobilisation (a). Pour ce faire, desserrez un peu seulement les vis de fixation (b).

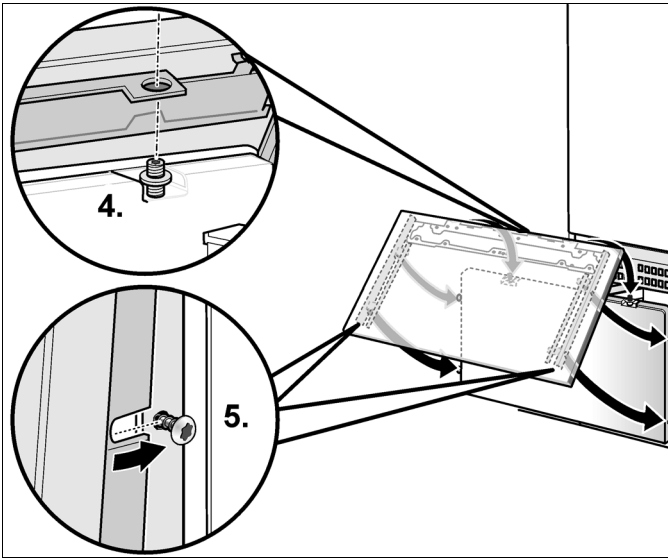


2. Introduisez les cornières d'immobilisation (a) retirées dans les profilés d'immobilisation (b) contre la porte du meuble.

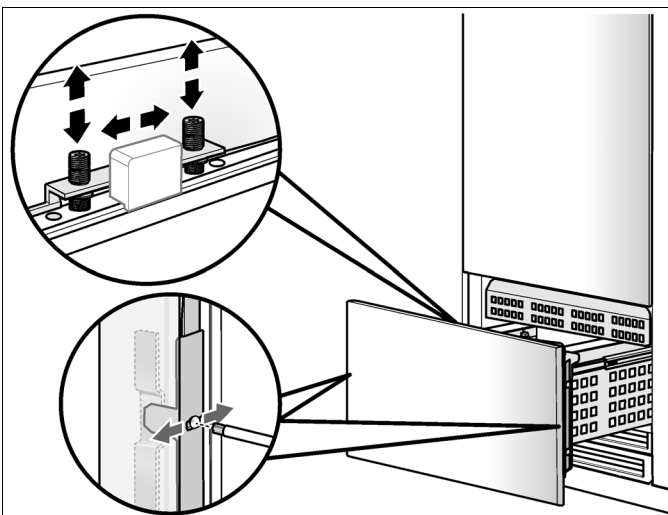


3. Ouvrez le tiroir.
4. A l'aide du profilé d'ajustage, suspendez la porte du meuble aux goujons filetés.

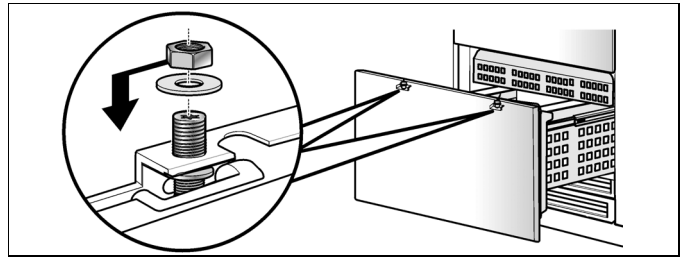
5. Abaissez la porte du meuble et poussez les cornières d'immobilisation du haut vers le bas via les vis de fixation contre la porte de l'appareil.



6. Alignez la porte du meuble à l'aide des goujons filetés (utilisez le tournevis Torx). Vérifiez l'interstice sur tout son périmètre.
7. Fermez le tiroir et contrôlez que la profondeur de la façade de meuble concorde avec celle des façades voisines. Corrigez si nécessaire.
8. Ouvrez le tiroir et serrez à fond les vis des cornières d'immobilisation pour immobiliser le réglage de profondeur tel quel.
9. Fermez le tiroir et vérifiez l'alignement latéral. Tapez légèrement avec la main sur le bord de la tiroir ouverte pour corriger l'alignement.



10. Vissez les écrous sur les goujons filetés du profilé d'ajustage et serrez-les à fond ! Ceci fixe l'alignement latéral de la porte.

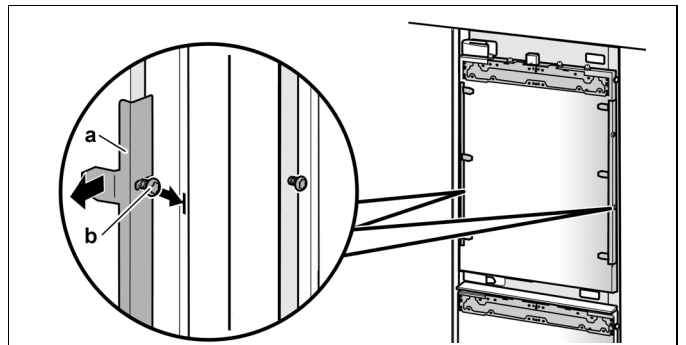


12. Fixer la porte du meuble (compartiment réfrigérateur)

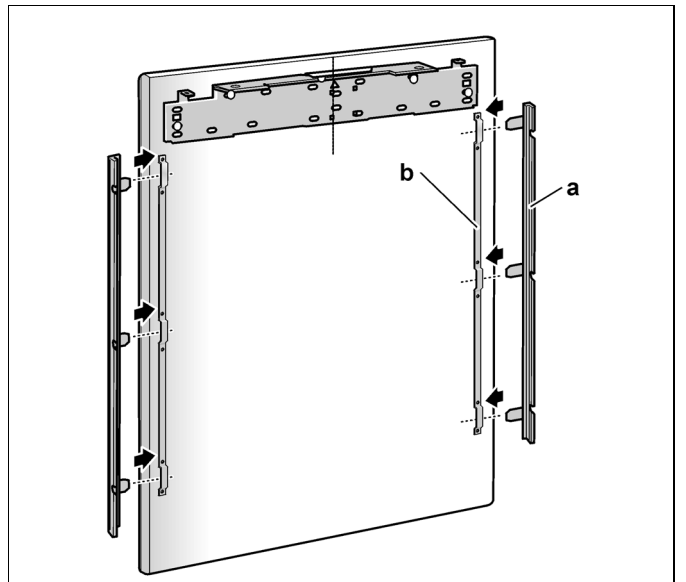
Remarque :

Maintenant, fixez les poignées de porte. Il faut les visser par le dos !

1. De la porte de l'appareil, détachez la cornière d'immobilisation (a). Pour ce faire, desserrez un peu seulement les vis de fixation (b).



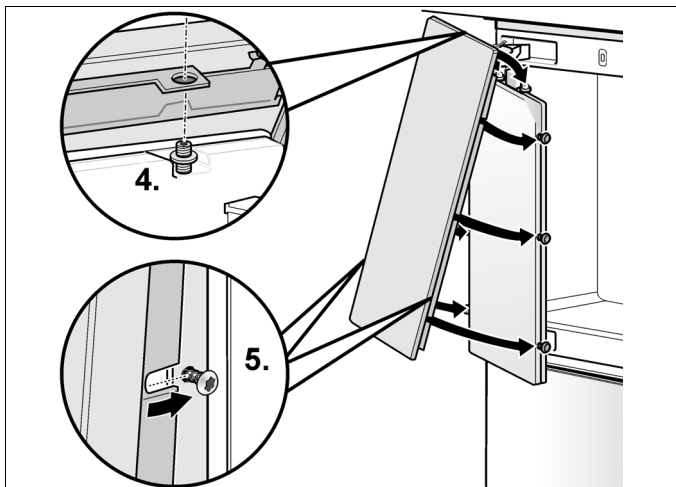
2. Introduisez les cornières d'immobilisation (a) retirées dans les profils d'immobilisation (b) contre la porte du meuble.



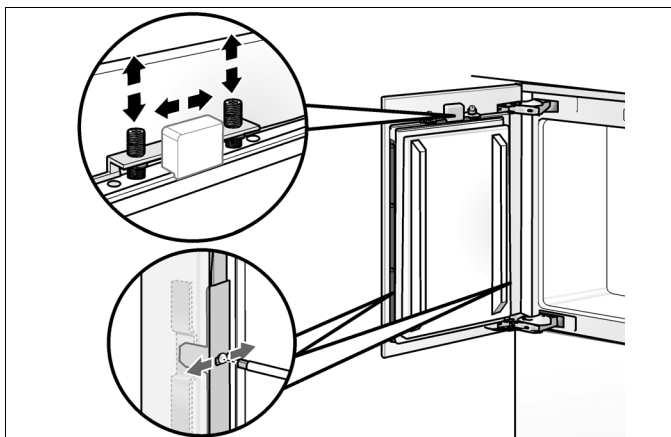
3. Ouvrez la porte de l'appareil.

4. A l'aide du profilé d'ajustage, suspendez la porte du meuble aux goujons filetés.
5. Abaissez la porte du meuble et poussez les cornières d'immobilisation du haut vers le bas via les vis de fixation contre la porte de l'appareil.

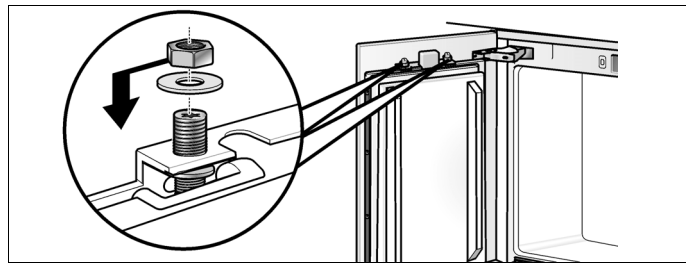
C



6. Alignez la porte du meuble à l'aide des goujons filetés (utilisez le tournevis Torx). Vérifiez l'interstice sur tout son périmètre.
7. Fermez la porte et contrôlez que la profondeur de la façade de meuble concorde avec celle des façades voisines. Corrigez si nécessaire.
8. Serrez à fond les vis des cornières d'immobilisation pour immobiliser le réglage de profondeur tel quel.
9. Fermez la porte et vérifiez l'alignement latéral. Tapez légèrement avec la main sur le bord de la porte ouverte pour corriger l'alignement.



10. Vissez les écrous sur les goujons filetés du profilé d'ajustage et serrez-les à fond ! Ceci fixe l'alignement latéral de la porte.



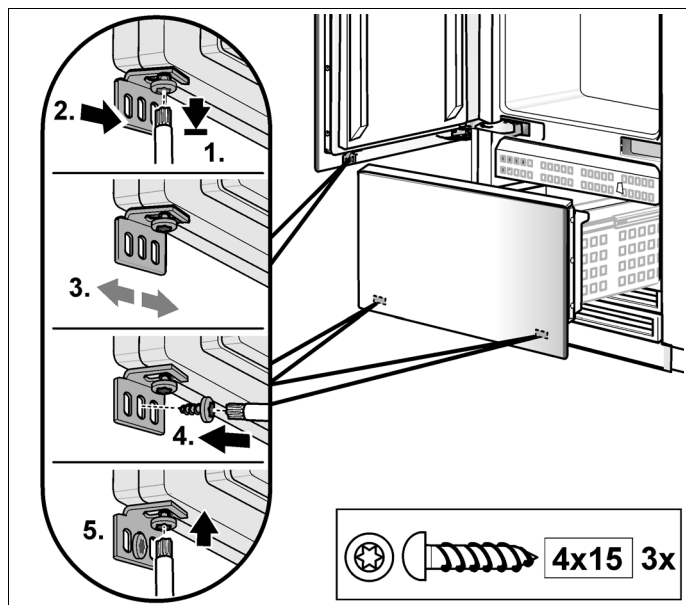
13. Visser les cornières de fixation inférieure

La cornière de fixation inférieure permet de figer l'alignement latéral de la porte.

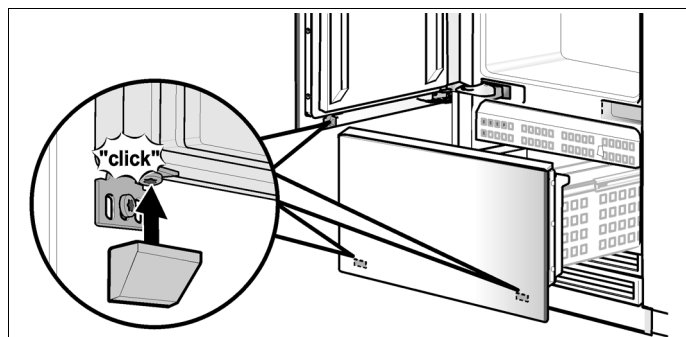
Le nombre de cornières de fixation inférieures dépend de la largeur et de la conception de la porte du meuble.

Vissez en applique la cornière de fixation inférieure. Percez les avant-trous dans la porte de meuble.

1. Desserrez la vis.
2. Poussez la cornière de fixation sur la vis.
3. Vérifiez la position latérale de la porte.
4. Vissez les vis à bois.
5. Serrez les vis à fond.

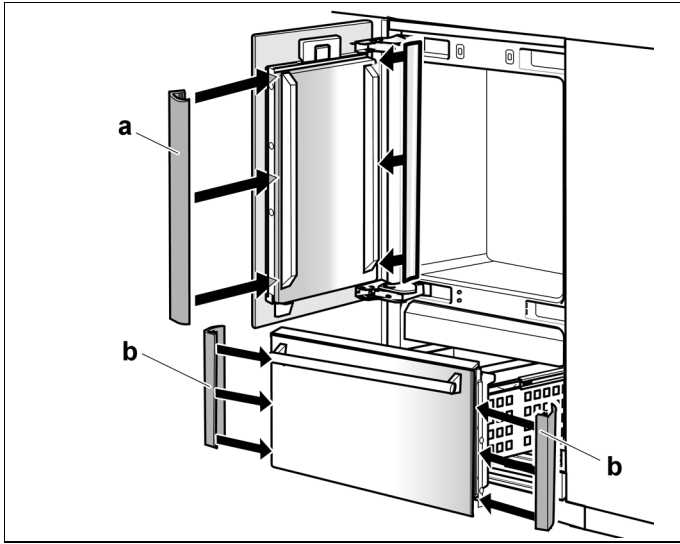


6. Emboîtez les couvercles sur les cornières de fixation.

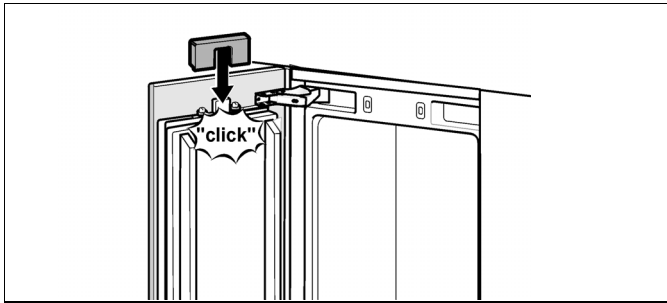


1. Fixer les capots

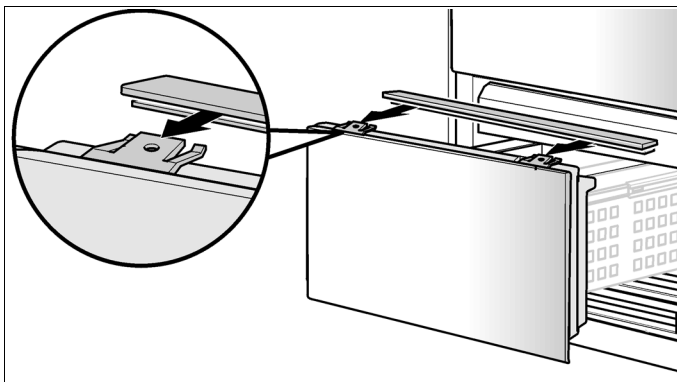
1. Enfilez les profilés de recouvrement sur la porte (a) et sur les deux côtés longitudinaux du tiroir équipant le compartiment congélateur (b).



2. Fixez le couvercle de l'interrupteur d'éclairage. Il est possible de visser le couvercle de l'interrupteur d'éclairage contre la porte.

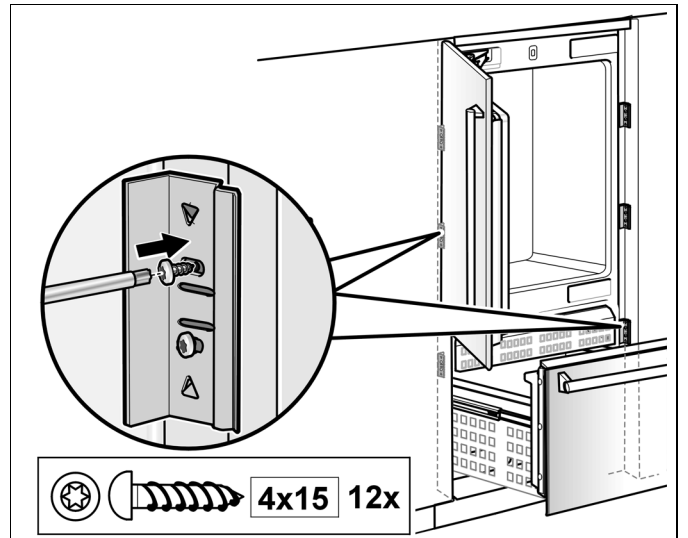


3. Fixez les profilés de recouvrement au dessus du profilé d'ajustage du tiroir du compartiment congélateur.

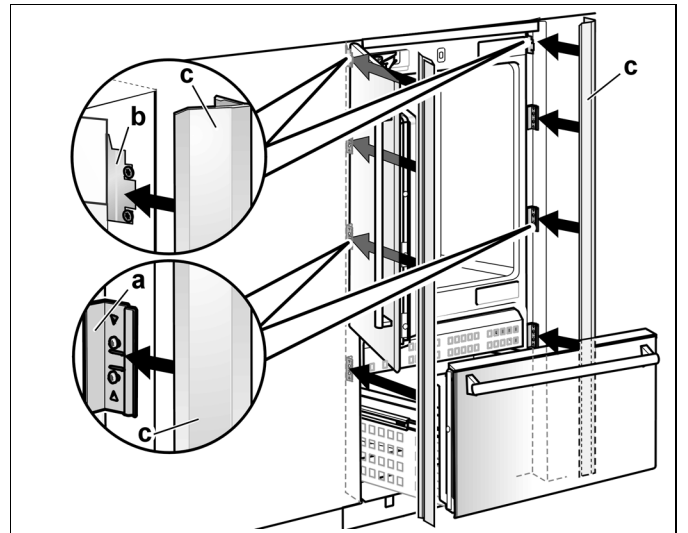


Appareils individuels uniquement :

4. Vissez les cornières (a) destinées à la fixation des profilés de recouvrement.



5. Montez les profilés de recouvrement (c) contre les plaques de fixation (b) et contre les cornières (a).



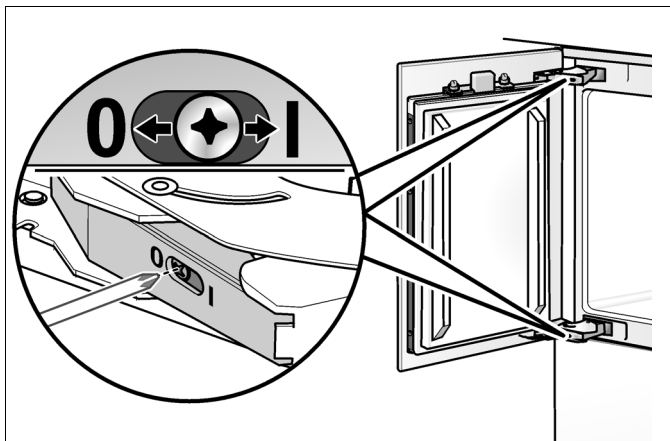
D

2. Tendre le ressort de charnière

Tournez la vis de réglage à l'aide d'un tournevis à empreinte cruciforme.

I = Ressort tendu

0 = Ressort détendu

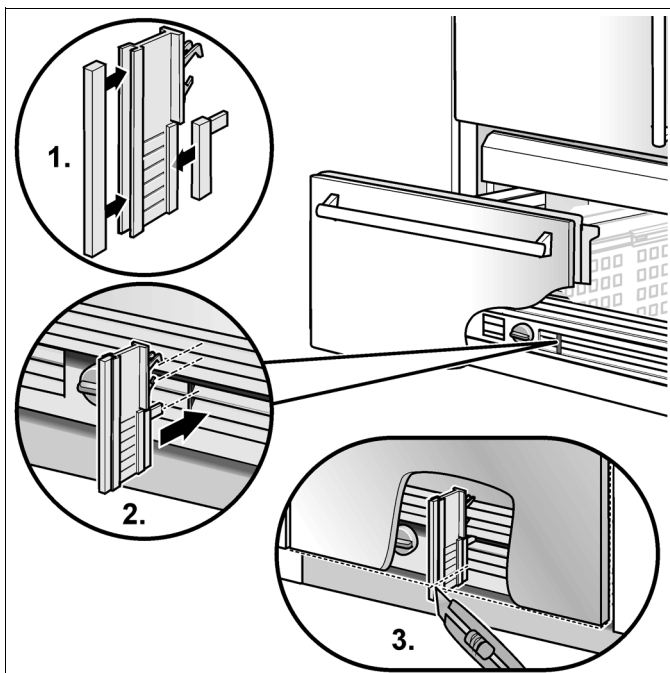


Une étape de montage spéciale suit. Des explications suivent après la section D.

- Angle d'ouverture des portes, voir « Ajustage de l'angle d'ouverture de porte ».

3. Montage du séparateur d'air

Montez le séparateur d'air contre la porte du meuble afin de séparer l'air entrant et l'air sortant.



Avec cette opération prend fin l'incorporation de l'appareil.

Installation spéciale

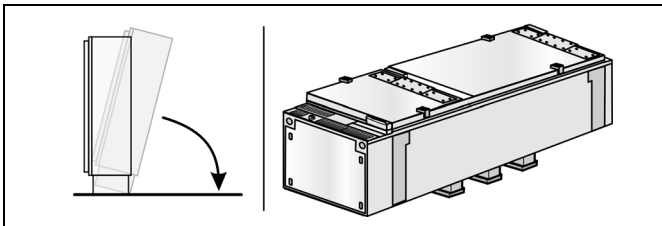
Inversion du sens d'ouverture de porte

⚠ AVERTISSEMENT

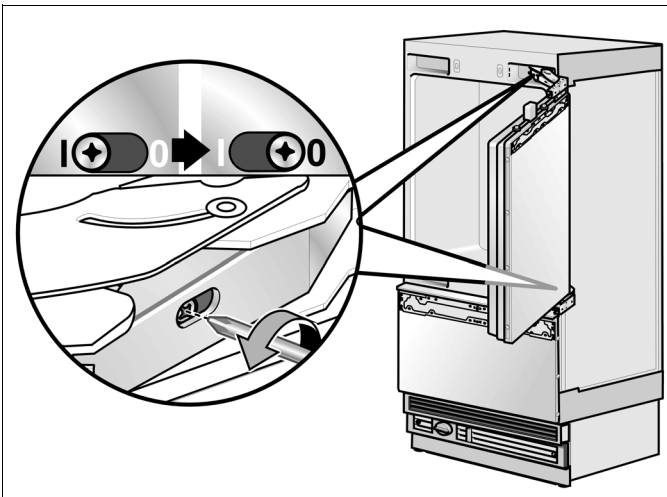
Avant d'effectuer tous travaux sur les charnières de portes, détendez le ressort – Risque de blessures !

Remarque :

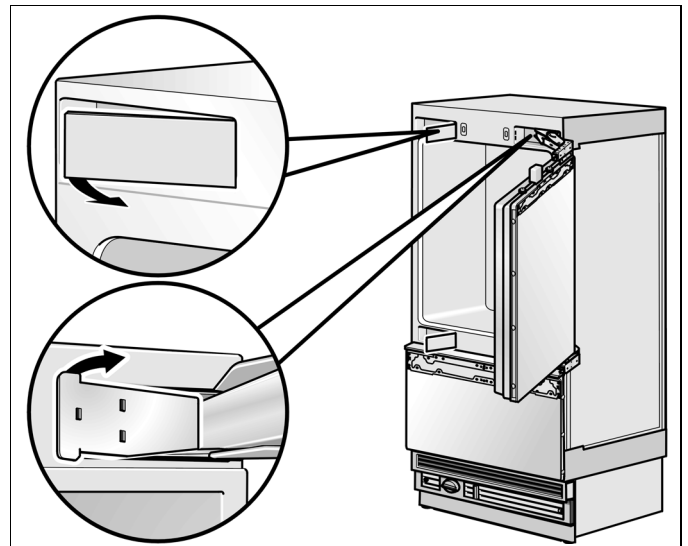
Changer le sens d'ouverture de porte est plus facile si l'appareil se trouve sur le dos au moment de cette opération (placez la palette dessous).



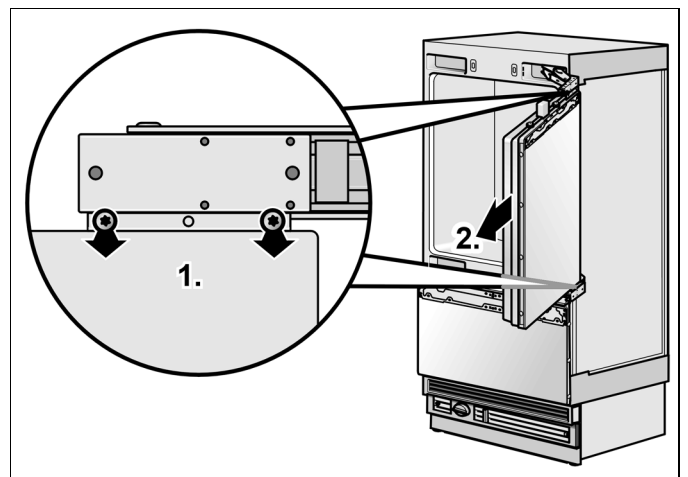
1. Détendez le ressort de la charnière. Pour ce faire, amenez la vis de la position I sur la position 0.



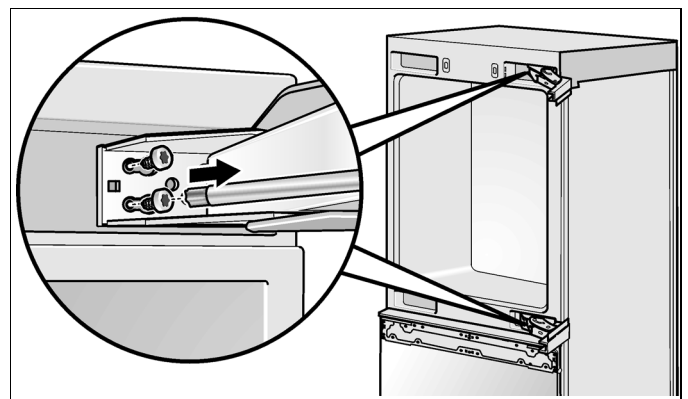
2. Enlevez les couvercles des charnières.



3. Dévissez la porte (1.) et retirez-la (2.).

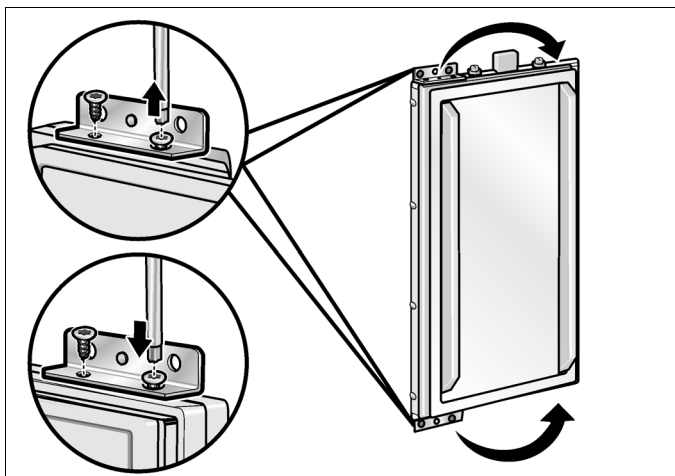


4. Enlevez les charnières.

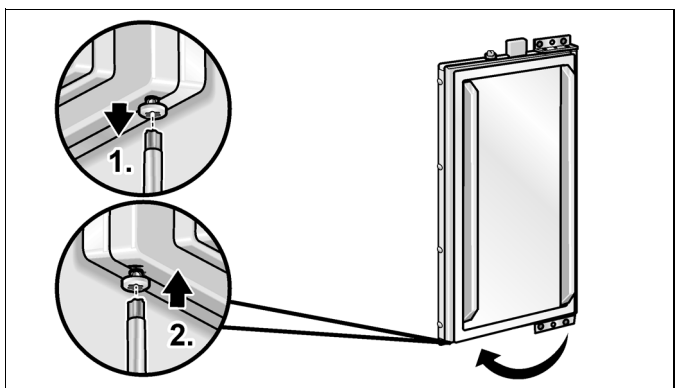




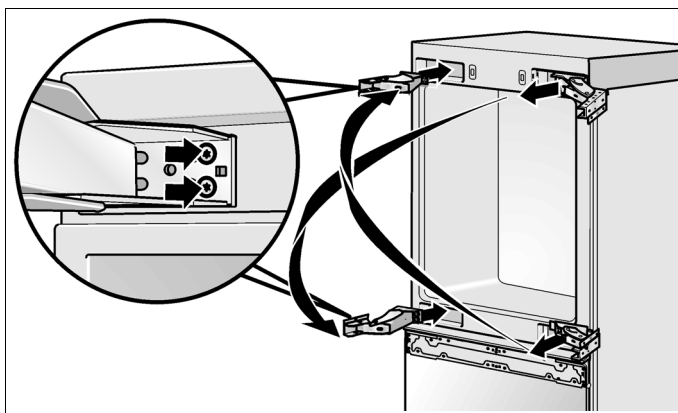
5. Transférez de l'autre côté les pièces de fixation situées contre la porte.



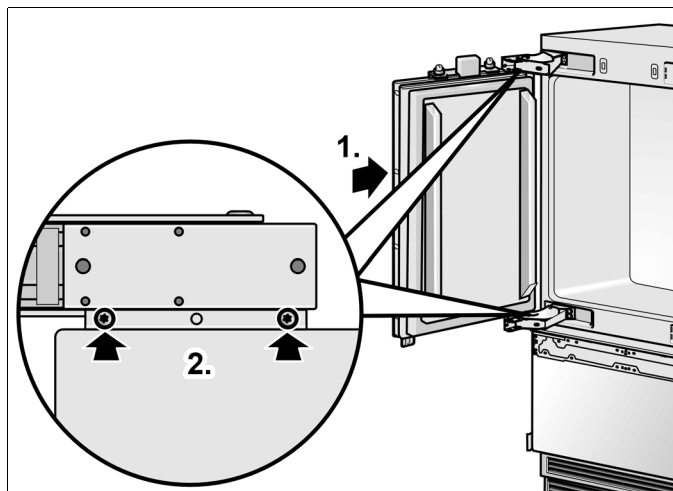
6. Transférez la vis de la cornière de fixation inférieure de l'autre côté.



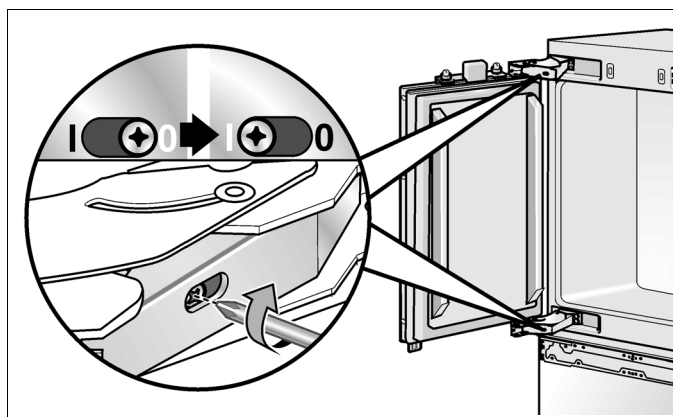
7. Fixez les charnières sur l'appareil. Permutez les charnières selon un ordre croisé !



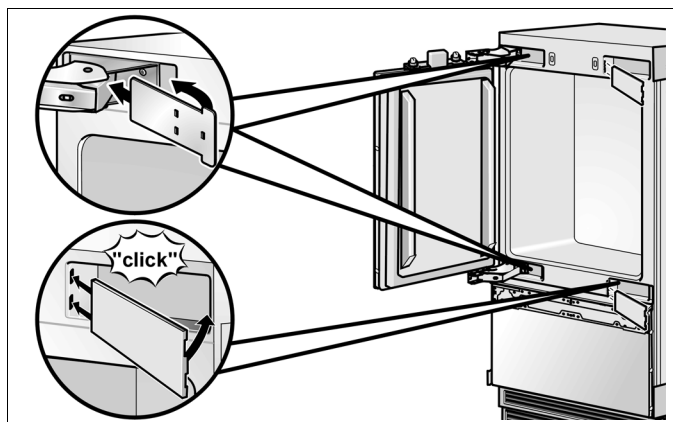
8. Vissez la porte contre les charnières.



9. Tendez le ressort de la charnière. Pour ce faire, amenez la vis de la position 0 sur la position I.



10. Fixez les couvercles des charnières.

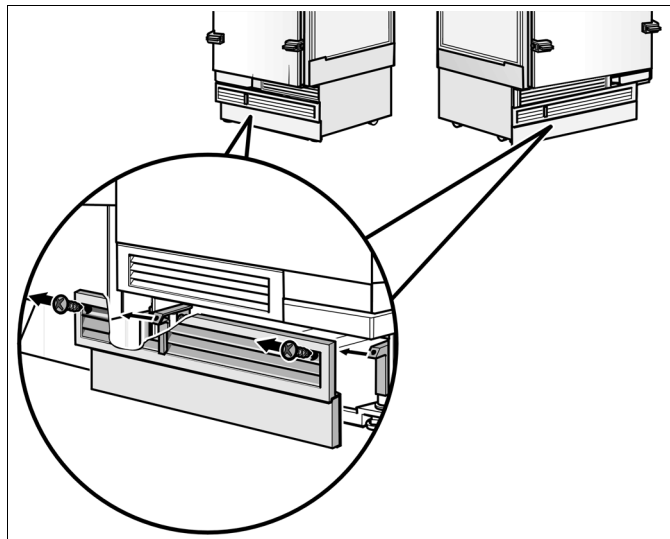
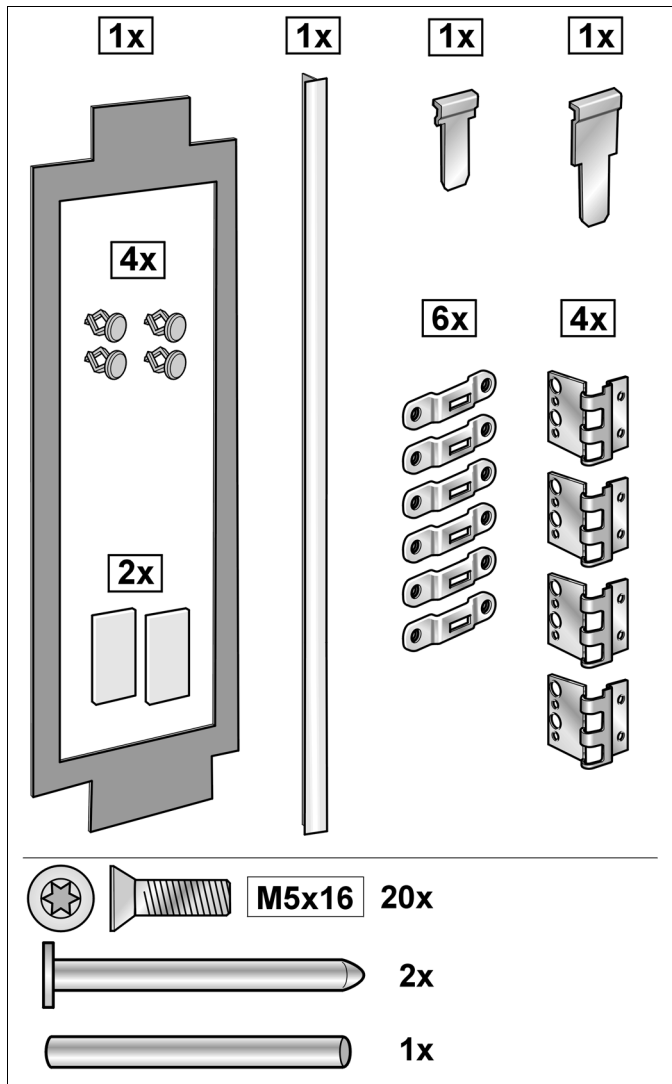


Installations d'appareils côte à côte

Si vous prévoyez une installation côte à côte, il faut relier maintenant les deux appareils l'un avec l'autre.

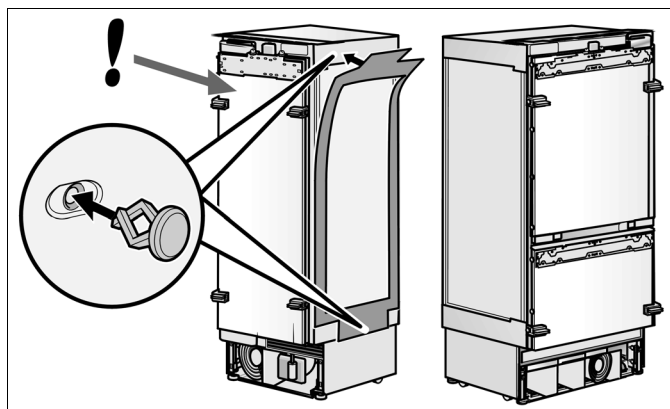
1. Déballez le kit d'installation côte à côte et vérifiez qu'aucune pièce ne manque.

Tenez les cornières anti-renversement prêtes à servir d'accessoire de montage.



Remarque :

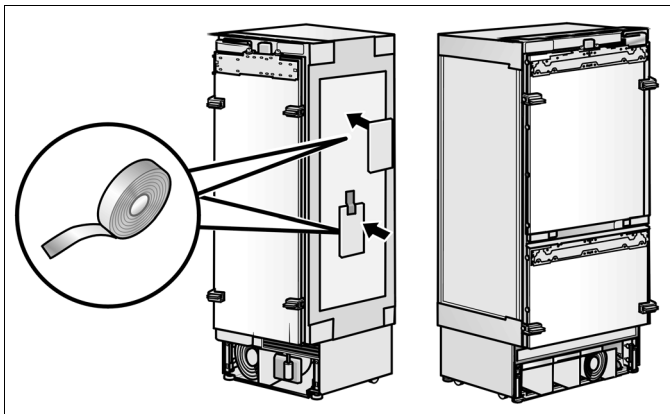
- Les congélateurs ont été équipés en usine d'un tapis d'étanchéité en vue d'une installation côte-à-côte. Dans ce cas, poursuivez à partir de l'étape 6.
 - Sur l'appareil debout, installez toujours le tapis du côté gauche !
4. Collez sur le pourtour la bande jointive fournie dans le kit côte à côte. Immobilisez la bande avec les punaises.



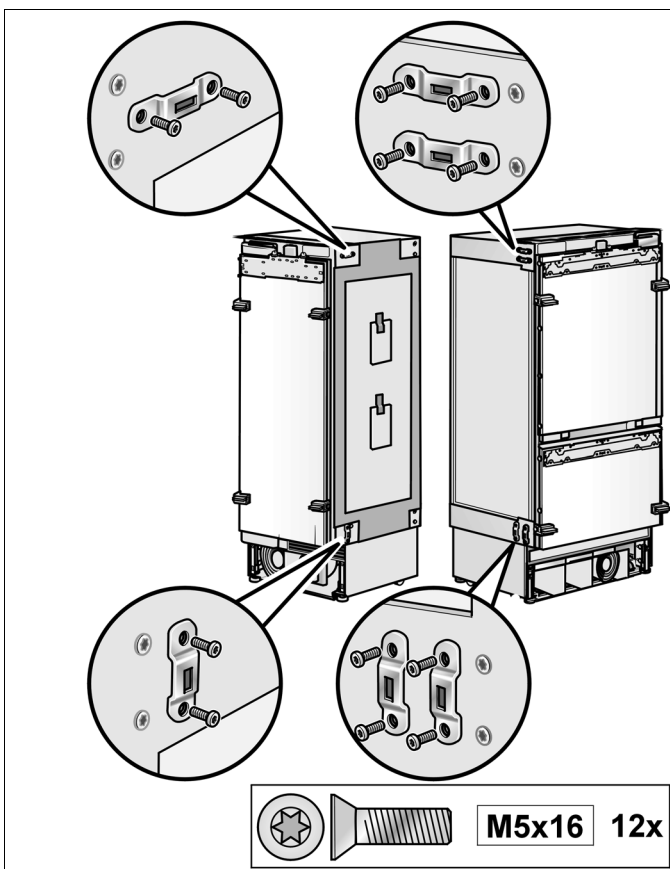
2. Placez les appareils l'un à côté de l'autre dans la configuration voulue.
3. Dévissez les bandeaux de socle.



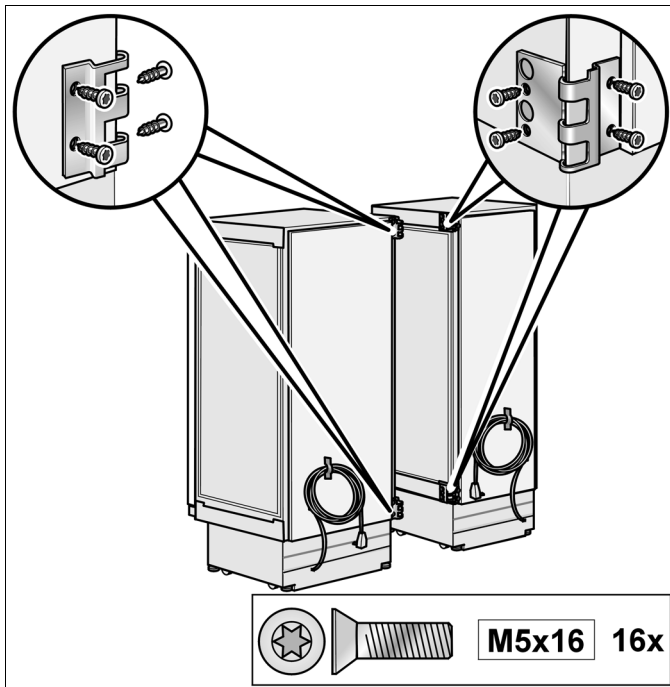
5. Placez les bandes absorbantes fournies dans le kit côte à côte contre la paroi latérale puis immobilisez-les avec du ruban adhésif.



6. Contre les deux appareils, vissez les plaques latérales fournies dans le kit côte à côte. Notez la position des deux appareils !

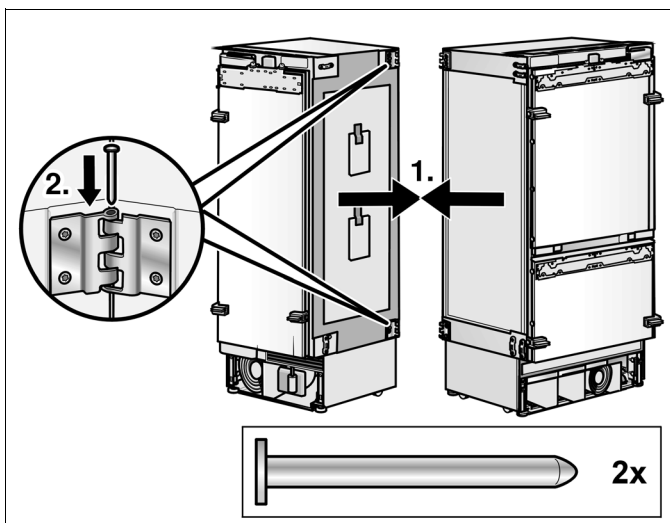


7. Vissez les demi-charnières fournies dans le kit côte à côte dans les deux appareils.

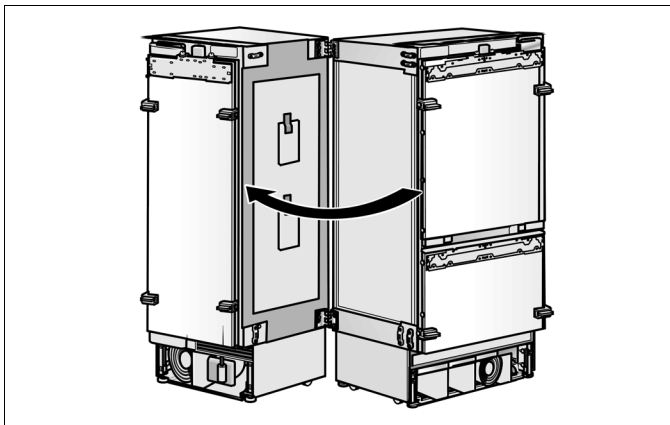


8. Poussez les appareils pour les rapprocher jusqu'à ce que les demi-charnières s'entrecroisent.

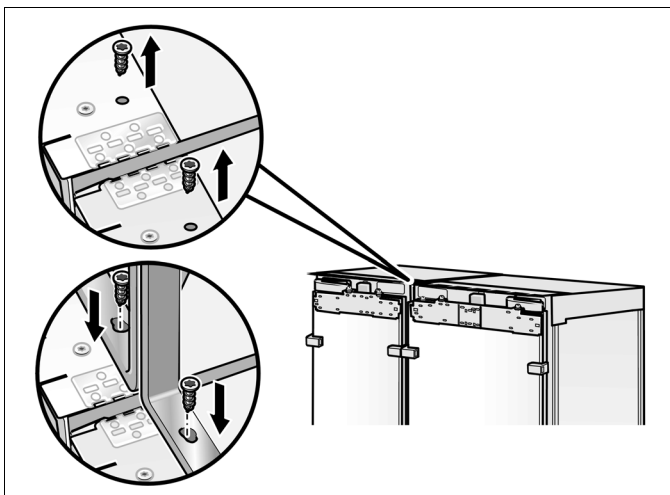
9. Insérez les goujons dans les charnières.



10. Poussez l'avant des appareils pour les rapprocher le plus possible.

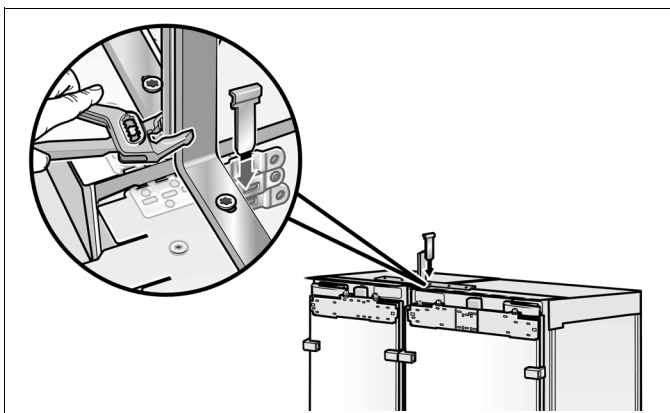


11. Desserrez les vis situées sur le dessus des appareils et vissez à la place les cornières anti-renversement.



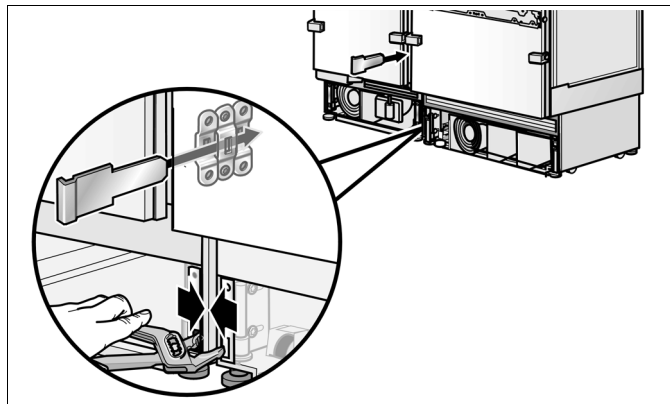
12. Rapprochez les appareils en les tirant à l'aide d'une pince multiprise.

13. Une fois que les appareils sont complètement joints, insérez la barre dans les plaques supérieures.

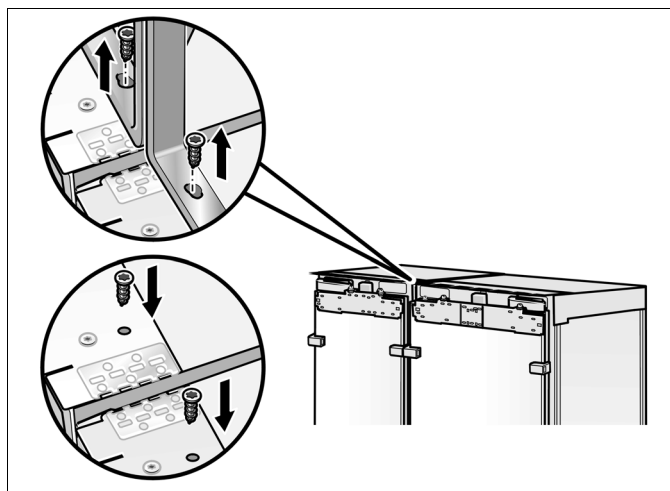


14. Rapprochez le bas des appareils en les tirant à l'aide d'une pince multiprise.

15. Une fois que les appareils sont complètement joints, insérez la barre dans les plaques inférieures. Enfoncez complètement la barre à l'aide d'un outil.



16. Retirez les accessoires d'installation.



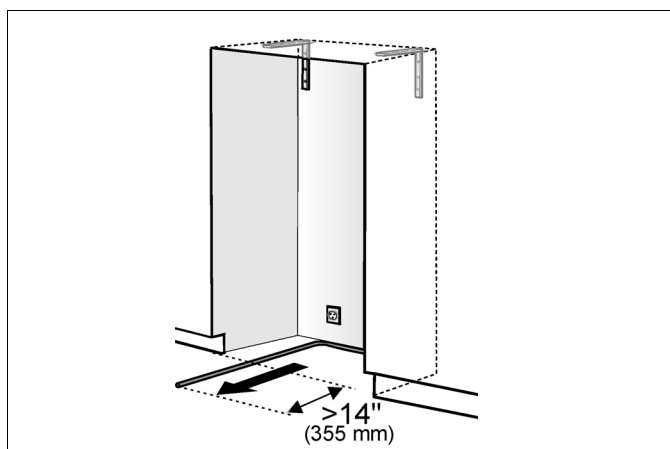
? Préparation du raccordement de l'eau

(seulement pour les appareils qui requièrent un raccordement à l'eau courante)

Remarque:

Refermez le robinet d'eau principal pour empêcher que l'eau, en fuyant, ne provoque des dégâts.

1. Branchez la conduite de raccordement contre la vanne de fermeture en respectant les instructions fournies par le fabricant du kit destiné à l'installation du distributeur de glaçons.
2. Installez la conduite de raccordement. Respectez toujours les dimensions spécifiées pour l'espace libre, ceci pour empêcher d'endommager la conduite de raccordement lorsque vous poussez l'appareil.

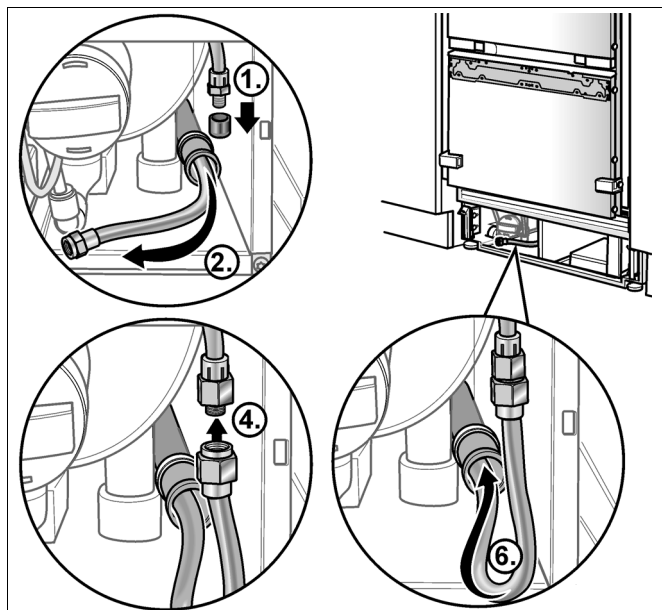


Raccordement de l'eau à l'appareil

Remarque:

Lorsque vous recourbez une conduite d'eau, ne la pliez pas, sinon **il y a risque que de l'eau fuie et provoque des dégâts.**

1. Retirez le capuchon du raccord de l'appareil.
2. Coudez la conduite conformément à l'emplacement du raccord sur l'appareil.
3. Poussez l'écrou de jonction et le joint contre la conduite d'eau.
4. Poussez l'extrémité de la conduite d'eau dans le raccord de l'appareil et vissez l'écrou.
5. A l'aide d'une clé à fourche, serrez l'écrou de jonction. Veillez à ne pas serrer à l'excès !
6. Renforcez le flexible à eau le plus loin possible dans le tube de protection.



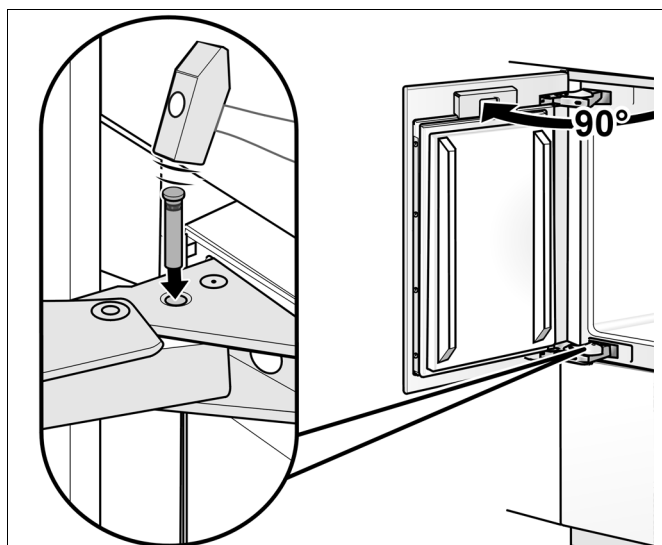
7. Ouvrez la vanne de fermeture et le robinet d'eau principal.
8. Vérifiez si le raccord de la vanne de fermeture et celui de l'appareil présentent des fuites.
9. Fermez la vanne de fermeture et le robinet d'eau principal.

Ajustage de l'angle d'ouverture de porte

Suivant les conditions d'installation, il pourra être nécessaire d'ajuster l'angle d'ouverture de la porte. Un angle d'ouverture de 115° a été ajusté en usine.

Pour conférer à la porte un angle d'ouverture de 90° :

1. Ouvrez la porte à 90°.
2. Introduisez la tige de limitation à travers les deux alésages superposés puis enfoncez-la à l'aide d'un marteau.



Índice

Instrucciones importantes 72

Opciones de instalación 73

Aparato individual 73

Instalación Side-by-Side 73

Aparatos individuales con pared separadora 73

Aparatos individuales en el final
de las unidades de cocina 73

Instalación del aparato 74

Lugar de emplazamiento 74

Clases climáticas 74

Instalación estable 74

Hueco de montaje 74

Muebles adyacentes 74

Base 74

Nivelar el aparato 75

Conexión a la red eléctrica 75

Conexión del agua 75

Medidas de instalación 76

Accesorios y herramientas necesarias 77

Accesorios que forman parte volumen
de entrega 77

Accesorios opcionales 77

Otros 77

Herramientas 77

Instrucciones de instalación 78

1. Control de la cavidad para
la instalación 78

2. Desembalaje 78

3. Transporte del electrodoméstico 79

4. Preparativos para el montaje 79

5. Instalación especial 79

A

1. Colocación de los ángulos
antivuelco 80

2. Montaje de un dispositivo
antivuelco adicional 81

3. Protección de las esquinas 81

4. Fijar la placa de sujeción (lateral) 82

B

1. Colocando el electrodoméstico
en la cavidad de instalación 83

2. Alineación del electrodoméstico 84

3. Sujetando el electrodoméstico
a la cavidad 85

4. Fijar el aparato al lateral del hueco
de montaje 86

C

1. Fijar el zócalo 87

2. Alinear el revestimiento
del zócalo 87

3. Poner en funcionamiento
el aparato 88

4. Preparar las puertas del mueble 88

5. Cargar la puerta del aparato 88

6. Desmontar los elementos de
posicionamiento 89

7. Fijar el perfil de ajuste en
la puerta del mueble
(compartimento frigorífico) 89

8. Fijar los perfiles de fijación en
la puerta del mueble
(compartimento frigorífico) 90

C

- 9. Fijar el perfil de ajuste en la puerta del mueble (compartimento de congelación) 91
- 10. Fijar los perfiles de fijación en la puerta del mueble (compartimento de congelación) 91
- 11. Fijar la puerta del mueble (compartimento de congelación) 92
- 12. Fijar la puerta del mueble (compartimento frigorífico) 93
- 13. Enroscar las escuadras de fijación inferiores sin apretarlas 95

D

- 1. Montar las protecciones 96
- 2. Tensar el muelle de la bisagra 97
- 3. Montaje del separador de aire 97

Instalación especial 98

- !Cambiando las bisagras 98
- Instalación Side-by-Side (lado a lado) 100
- Preparación para conectar el agua 103
- Conexión del agua al electrodoméstico 103
- Ajuste del ángulo de apertura de la puerta 103

Instrucciones importantes

de seguridad

Las presentes instrucciones de montaje pretenden facilitar los trabajos de instalación y montaje de su nuevo aparato.

El fabricante, sin embargo, no incurre en responsabilidad alguno en caso de un montaje defectuoso o incorrecto. Por ello se aconseja encargar la instalación y puesta en funcionamiento del aparato a un técnico especialista del ramo.

El cumplimiento estricto de las indicaciones y observaciones que figuran en las presentes instrucciones de montaje son los requisitos indispensables para un montaje y puesta en funcionamiento seguros del aparato.

Guardar las instrucciones de montaje para un posible propietario posterior.

¡Léanse las presentes instrucciones de montaje detenidamente antes de proceder al montaje y la puesta en funcionamiento del aparato!

¡AVISO!

La parte superior de este electrodoméstico es más pesada que la de abajo, por lo que se lo debe asegurar a fin de evitar que vuelque hacia delante.

Se requiere de una protección antivuelco.

Mantenga las puertas cerradas hasta que el electrodoméstico esté completamente instalado y asegurado según las instrucciones de instalación.

Debido al peso y las dimensiones del electrodoméstico y a fin de reducir el riesgo de lesiones personales o de daños al producto – SE REQUIERE DE DOS PERSONAS PARA UNA INSTALACIÓN ADECUADA.

Este electrodoméstico debe conectarse correctamente a tierra. Consulte la sección «Conexión a la red de alimentación».

Utilice el electrodoméstico exclusivamente para lo que ha sido previsto.

Repare o cambie inmediatamente los cables eléctricos si están gastados o dañados.

Desenchufe el electrodoméstico o desactive el fusible antes de limpiar o efectuar reparaciones.

ATENCIÓN

Una instalación adecuada de este electrodoméstico requiere de conocimientos específicos básicos en mecánica, carpintería y fontanería.

Fallos en el producto debido a una instalación inadecuada no están cubiertos por la garantía.

Consulte el manual del usuario por la información concerniente a la garantía.

Important

Guarde estas instrucciones para el uso del inspector local. Tenga en cuenta todas las disposiciones y ordenanzas gubernamentales.

Nota para instalador – Asegúrese de dejar estas instrucciones al usuario.

Nota para el usuario – Guarde estas instrucciones con su manual para el propietario.

General

Las reparaciones debe efectuarlas un técnico calificado. Estas instrucciones de instalación se entienden para ser usadas por instaladores calificados. Todas las conexiones de agua, alimentación eléctricas y conexión a tierra, deben cumplir con las prescripciones y ordenanzas locales y deben ser realizadas por personal con las licencias correspondientes si así se lo requiere. En ausencia de prescripciones locales:

- En los E.E.U.U., de acuerdo con el National Electric Code, ANSI/NFPA70 – última edición/ prescripciones municipales y/o locales.
- En Canadá, de acuerdo con el Canadian Electric Code C22.1 – última edición prescripciones municipales y/o locales.

Definitions

¡AVISO!

indica que existe peligro de lesiones graves y aún de muerte, que pueden ocurrir como resultado de la inobservancia de esta advertencia.

ATENCIÓN

indica que pueden producirse lesiones menores o daños que pueden ocurrir como resultado de la inobservancia de esta advertencia.

Nota:

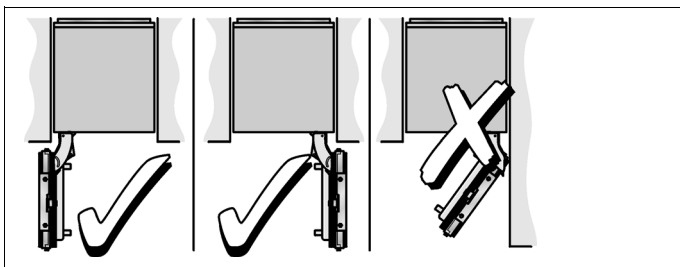
Este símbolo se utiliza para llamar la atención del usuario respecto de algo en particular.

Opciones de instalación

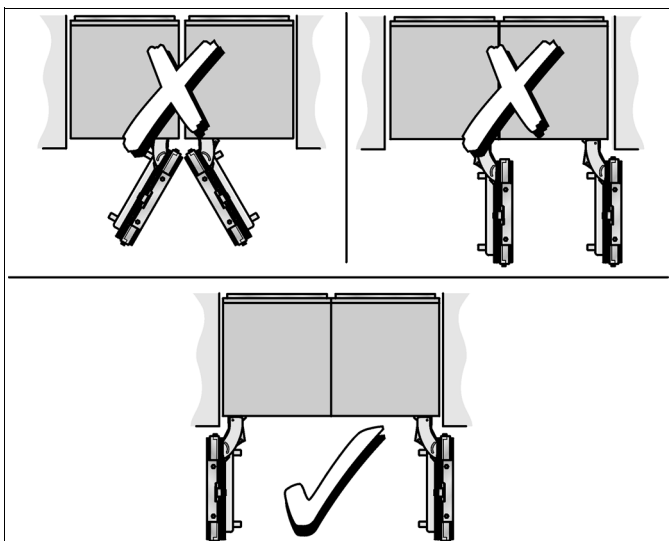
El aparato ofrece diferentes opciones de instalación únicamente limitadas por el diseño concreto de la cocina y su equipamiento.

Están limitadas exclusivamente por el diseño de la cocina.

Aparato individual



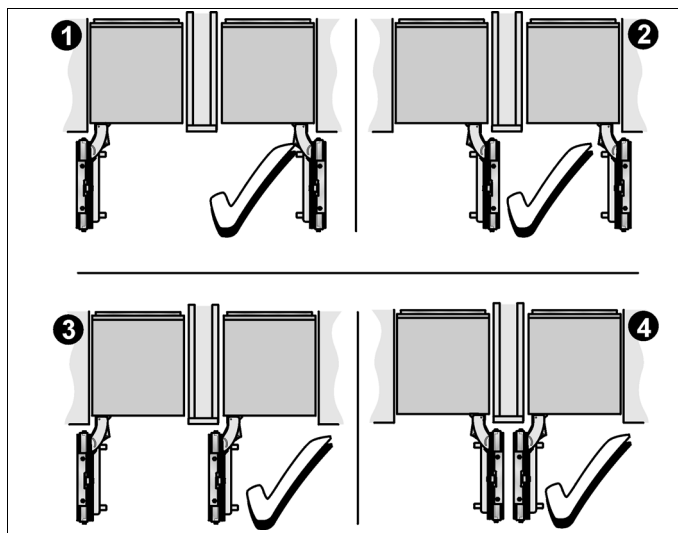
Instalación Side-by-Side



En caso de colocarse dos aparatos directamente uno junto al otro, hay que utilizar el kit de estanqueización para su instalación Side-by-Side a fin de garantizar la estabilidad de la unión de los dos aparatos.

Más detalles a este respecto figuran en el capítulo «Accesorios y herramientas necesarias».

Aparatos individuales con pared separadora



- Si dimensiona los espacios para el modelo 4, tenga en cuenta el espesor de los paneles frontales de los muebles, a fin de evitar daños si se abren las dos puertas simultáneamente.
- Utilice el «Heating kit» (combinación y calentamiento) si el espacio entre los dos electrodomésticos es menor que 6" (160 mm). Consulte la sección «Accesorios opcionales».
- La separación mínima debe ser de $\frac{5}{8}$ " (16 mm).

Aparatos individuales en el final de las unidades de cocina

Si uno de los lados del electrodoméstico está a la vista, debe colocarse un panel lateral.

El panel lateral debe sujetarse firmemente en la pared, el piso y el mueble o adorno superpuesto antes de colocar el electrodoméstico en la cavidad.

Las dimensiones del panel lateral, deben tomarse en la pared opuesta de la cavidad. Controle durante la instalación que la cavidad esté a escuadra y que tenga las dimensiones adecuadas.

Instalación del aparato

Lugar de emplazamiento

⚠ ¡AVISO!

¡Téngase en cuenta que el aparato es muy pesado!

Anchura del aparato	Peso (en vacío) aprox.
Frigorífico combinado 30" (75,6 cm)	440 lbs (198 kg)
Frigorífico combinado 36" (90,3 cm)	558 lbs (251 kg)

Emplazar el aparato en una habitación seca y fresca, dotada de una buena ventilación.

Recuerde además que el aparato no debe instalarse de forma que reciba directamente los rayos del sol, ni encontrarse tampoco próximo a un foco activo de calor tal como cocinas, calefacciones, etc. En caso necesario se protegerá la unidad con un panel aislante adecuado o bien se observarán las siguientes distancias mínimas de separación con respecto a la fuente de calor en cuestión:

- Cocinas eléctricas o de gas: $1\frac{1}{4}$ " (30 mm).
- Cocinas de gas-oil o de carbón: $11\frac{13}{16}$ " (300 mm).

El suelo en el lugar de emplazamiento del aparato deberá poseer una suficiente capacidad de sustentación. En caso necesario deberá reforzarse adecuadamente. Para asegurar el funcionamiento correcto del dispensador de hielo, el aparato tiene que encontrarse en posición vertical.

Clases climáticas

La clase climática a la que pertenece el aparato figura en la placa de características del mismo e indica a qué temperatura del entorno (recinto) puede funcionar el aparato.

Clase climática	Temperatura del entorno admisible
SN	50 °F hasta 90 °F (+10 °C hasta 32 °C)
N	61 °F hasta 90 °F (+16 °C hasta 32 °C)
ST	61 °F hasta 100 °F (+16 °C hasta 38 °C)
T	61 °F hasta 110 °F (+16 °C hasta 43 °C)

Instalación estable

El electrodoméstico es muy pesado y presenta la tendencia de volcar hacia adelante cuando se abre la puerta del mismo.

No abrir la puerta hasta tanto el electrodoméstico no pueda volcar mas.

La manera mas segura de instalar el electrodoméstico en una posición estable, es utilizando los elementos antivuelco que forman parte del volumen de entrega. Si el sitio de instalación es suficientemente estable y el electrodoméstico puede asegurarse firmemente en las paredes laterales y superior, se logra una mayor estabilidad del mismo. ¡Es una condición previa, que el encerramiento de instalación presente una sujeción firme en la pared posterior!

Si tiene dudas, consulte a un arquitecto o experto en construcción.

Cavidad de instalación

Es imprescindible tener en cuenta las medidas exactas de la cavidad de instalación a fin de poder realizar una instalación sin problemas el aparato y conservar la óptica del frontal del mueble.

Hay que prestar una atención particular a que la cavidad de instalación tenga forma rectangular. Las paredes laterales de la cavidad de instalación no deberán tener salientes, escalones ni irregularidades.

La forma rectangular de la cavidad se puede comprobar mediante un nivel de burbuja, una medición en diagonal, etc.

Las paredes laterales y el remate superior del mueble deberán tener un espesor mínimo de $\frac{5}{8}$ " (16 mm).

Muebles adyacentes

Atornillar fijamente el aparato nuevo a los armarios laterales y superiores.

Por ello deberá prestarse atención a que los armarios superiores a los que se vayan fijar muebles, se encuentren a su vez fijamente sujetos a la pared o base de soporte correspondiente. El zócalo deberá tener un espesor mínimo de $\frac{3}{4}$ " (19 mm).

Base

Para asegurar que el electrodoméstico esté firmemente montado y funcione correctamente, la base de apoyo debe ser plana y horizontal.

La base debe ser de material duro y rígido.

La zona de instalación deben presentar la misma altura que el resto del ambiente.

Para dar cuenta del elevado peso del electrodoméstico plenamente cargado, se requiere que la base resista la carga en cuestión. Si tiene dudas, consulte a un arquitecto o experto en construcción.

Nivelar el aparato

Para que el aparato funcione correctamente, tiene que estar colocado en posición perfectamente horizontal. Alinearlo con ayuda de un nivel de burbuja.

La instalación desnivelada del aparato puede dar lugar a fugas de agua en el dispensador de hielo, a la producción de cubitos de hielo de forma irregular o a que las puertas no cierren correctamente.

Conexión a la red eléctrica

¡AVISO!

- ¡Evite el peligro de una descarga eléctrica!
- Conectar a un tomacorrientes tripolar con toma de tierra. Nunca eliminar la toma de tierra. No utilizar adaptadores. No utilizar cables de prolongación.
- Un fallo en la ejecución de estas determinaciones, pueden ser causa de la muerte, incendios o descargas eléctricas. En caso de una conexión incorrecta del conductor de protección, pueden producirse descargas eléctricas. Haga controlar el equipo por un electricista calificado o por un técnico del servicio técnico, si existen dudas respecto de la correcta conexión a tierra del equipo.

La toma de corriente tiene que estar situada en las proximidades del aparato y ser libremente accesible tras su instalación. El aparato corresponde al tipo de protección I.

Conectar el aparato a una red de 115 V/60 Hz de corriente monofásica (corriente alterna) a través de una toma de corriente instalada correctamente y provista de conductor de protección. La toma de corriente debe estar protegida con un fusible de 10–16 amperios. El equipo se entrega con un conductor de conexión a la red registrado en UL de 3 conductores.

El equipo requiere de un tomacorrientes de 3 polos. Favor de tener en cuenta la tabla siguiente en combinación con este aspecto:

Modelo	Carga máxima simultánea
Frigorífico combinado 30" (75,6 cm)	6,0 amperios
Frigorífico combinado 36" (90,3 cm)	6,0 amperios

Controlar que las indicaciones contenidas en la chapa de características concuerden con la tensión y el tipo de corriente de su red en cuanto a sus valores. La ubicación de la chapa de características se encuentra en el capítulo de servicio a clientes.

¡AVISO!

El aparato no se podrá conectar en ningún caso a conectores electrónicos para ahorro energético.

Nuestros aparatos se pueden conectar a rectificadores de corriente por onda sinusoidal o conmutados por red. Los rectificadores conmutados por red se emplean en las instalaciones fotovoltaicas conectadas directamente a la red pública de abastecimiento de corriente eléctrica. Para aplicaciones aisladas, como por ejemplo en buques o albergues de montaña que no disponen de conexión a la red eléctrica, tienen que emplearse rectificadores de onda sinusoidal.

Conexión del agua

¡ATENCIÓN!

Acoplar el aparato a una tubería de alimentación de agua potable.

La conexión a la red de agua sólo puede ser efectuada por un fontanero especialista, de conformidad a las normas y disposiciones de la empresa local de abastecimiento de agua.

El funcionamiento del dispensador automático de hielo requiere la conexión a una tubería de alimentación de agua fría. La presión de la red de agua deberá ser de 25 a 120 p.s.i. (1,72 a 8,25 bares). La instalación deberá cumplir las normas y disposiciones locales sobre fontanería.

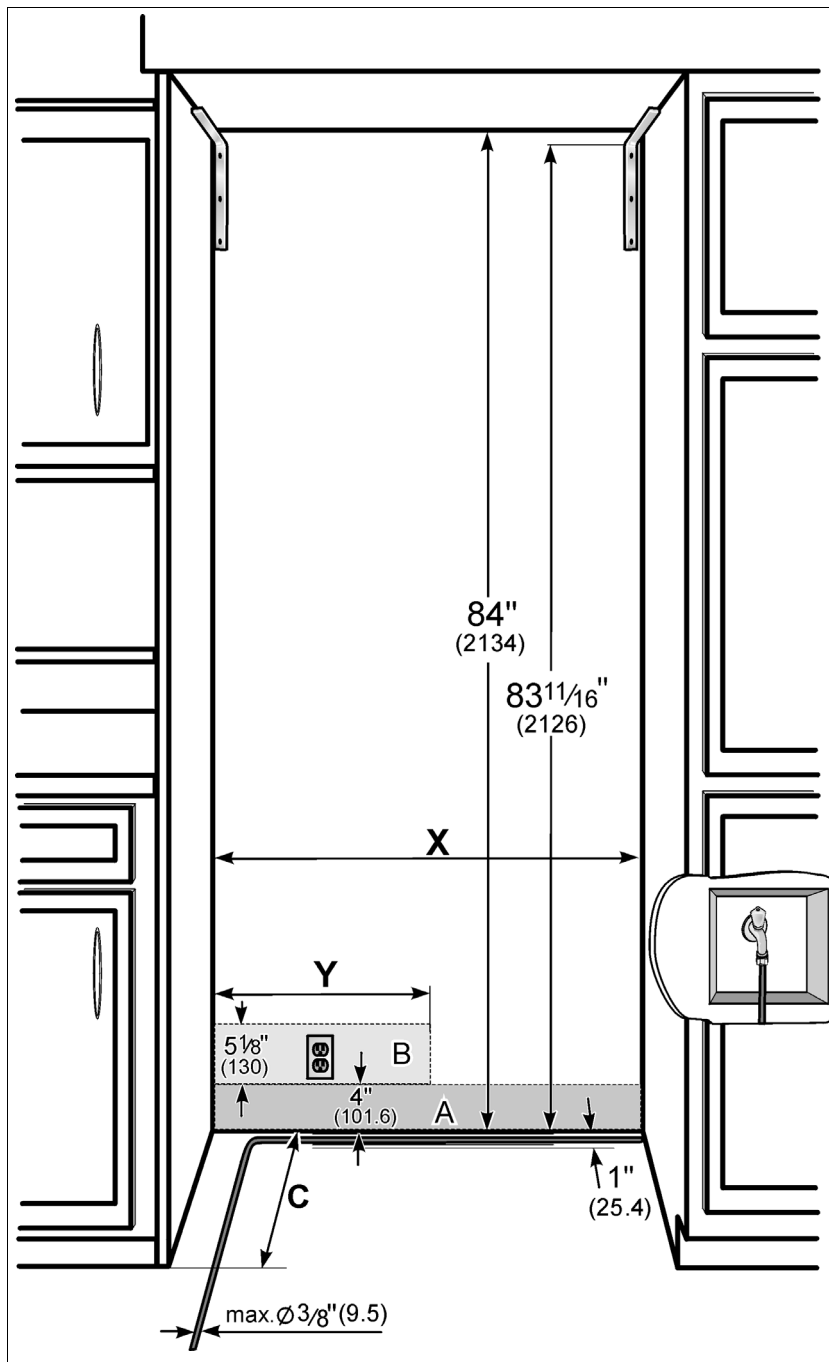
En la tubería de alimentación de agua fría deberá montarse un dispositivo (válvula) de bloqueo antiretorno. A válvula de bloqueo no deberá estar situada detrás del aparato. Se aconseja situar la válvula de bloqueo bien junto al aparato, bien en cualquier otro lugar perfecta y libremente accesible. Al realizar la instalación de la conexión a la red de agua deberán observarse las medidas y cotas de instalación prescritas.

Para la conexión del aparato a la red pública de agua potable sólo se podrán utilizar las tuberías específicas aptas para la red de agua potable, debiéndose observar estrictamente las normas nacionales vigentes, así como las disposiciones de la empresa local de abastecimiento de agua.

Al realizar la instalación de la conexión a la red de agua deberán observarse las medidas y cotas de instalación prescritas. Más detalles a este respecto figuran en el capítulo «Medidas de instalación».

El diámetro exterior máximo admisible de la tubería de agua (sin elementos de unión) es de $\frac{3}{8}$ " (9,5 mm).

Medidas de instalación



Anchura del aparato X	Y	
29 ³ / ₄ " (756 mm)	30" (762 mm)	15" (381 mm)
35 ³ / ₄ " (908 mm)	36" (914 mm)	18" (457 mm)

¡Importante!

Los paneles laterales del hueco de montaje tienen que estar completamente lisos y sin salientes. Si el hueco de montaje está configurado como elemento separado, los paneles laterales del hueco de montaje tienen que estar completamente lisos y sin salientes en una profundidad de 4" (100 mm).

Leyenda:

A Zona para la instalación de la conexión de agua.

Recomendamos que el depósito de agua se instale al lado abertura de instalación, por razones de servicio, de modo que pueda accederse al mismo sin desinstalar el electrodoméstico. Si no fuera posible, colocar el depósito de agua en la zona sombreada.

B Zona para la conexión a la red de potencia.

C Altura de la abertura, según el diseño de la cocina.

C = 24" (610 mm) como mínimo

Accesorios y herramientas necesarias

Accesorios que forman parte volumen de entrega

- Instrucciones para el montaje
- Instrucciones de funcionamiento
- Juego de instalación

Accesorios opcionales

Accesorios de montaje para la instalación Side-by-Side

Para la conexión permanente de dos electrodomésticos individuales. P. ej. un congelador al lado de un refrigerador.

Calefacción lateral adicional

Si el espacio entre los electrodomésticos es menor que 6" (160 mm).

Elemento de unión de las puertas del mueble

Para la colocación de dos puertas de muebles (ver «C / 4. Preparar las puertas del mueble»). Puede utilizarse sin tener que efectuar trabajos preliminares para puertas de mueble con altura estándar.




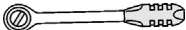
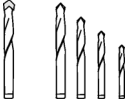
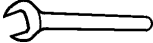



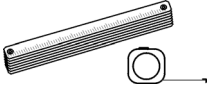



Otros

- Escalera
- Carro de mano
- Perforadora para practicar orificios en paredes o pisos
- Bits de diferentes tamaños y materiales
- Viguetas de madera (sección transversal mínima de 3" x 4") como protección alternativa contra vuelcos, de longitud adecuada al ancho de la cavidad
- Tornillos de madera de diferentes tamaños
- Material delgado, adecuado para evitar daños en el piso (p. ej. linóleo)
- Material adecuado para cubrir y proteger los muebles (p. ej. láminas de protección)
- Cinta adhesiva

Advertencia:

Verificar antes de usar la cinta adhesiva si ésta deja restos de adhesivo en las superficies de los componentes. En caso de que así fuera, no deberá usarse en aparatos con superficies delicadas y de alta calidad.

Herramientas

	Destornillador a batería
	Bit tipo Torx T20 + un soporte magnético
	Destornillador tipo Torx T20
	Destornillador de ranura en cruz $\frac{5}{16}$ " (8 mm)
	Brocas para madera de diversas medidas
	Llave de boca $\frac{1}{2}$ " (13 mm)
	Pinza universal
	Llave ajustable
	Cuchilla de hoja ajustable
	Regla metálica, cinta métrica
	Escuadra
	Nivel de agua de 2' (60 cm) y 4' (1,2 m)
	Reglas de nivelar, longitud mínima 4' (1,2 m)

Instrucciones de instalación

Las instrucciones de montaje siguientes describen los pasos a seguir para el montaje de los diferentes tipos de equipos. Por ello puede ocurrir que las representaciones en las figuras diverjan de la realidad.

Se advierte especialmente respecto de pasos de montaje especiales para tipos de equipos individuales.

1. Control de la cavidad para la instalación

⚠ ATENCIÓN

Utilizar la lista de control siguiente a fin de proceder a una instalación sin problemas:

1. Controle la base.
Siga las instrucciones de la sección «Instalación».
2. Controle las medidas de la cavidad.
Siga las instrucciones de la sección «Medidas de instalación».
3. Controle que la cavidad esté a escuadra.
4. Controle la ubicación del tomacorriente.
Siga las instrucciones de la sección «Conexión a la red de alimentación» y la sección «Medidas de instalación».
5. Controle la ubicación de la conexión del agua (únicamente en caso de electrodomésticos con generador de hielo).
Siga las instrucciones de la sección «Conexión del agua» y la sección «Medidas de instalación».
6. Controle la sujeción de los muebles o adornos adyacentes. Todos los muebles en las cercanías del electrodoméstico deben estar firmemente sujetos a las paredes.
7. Controle que los muebles o adornos adyacentes no colisionen (ángulo de apertura de las puertas).

2. Desembalaje

⚠ ¡AVISO!

Pueden producirse lesiones en personas y daños o desperfectos en el aparato!

- El aparato puede volcar al desembalarlo.
- El aparato puede volcar hacia adelante en caso de abrir la puerta.
- El aparato es muy pesado.

Anchura del aparato	Peso (en vacío) aprox.
Frigorífico combinado 30" (75,6 cm)	440 lbs (198 kg)
Frigorífico combinado 36" (90,3 cm)	558 lbs (251 kg)

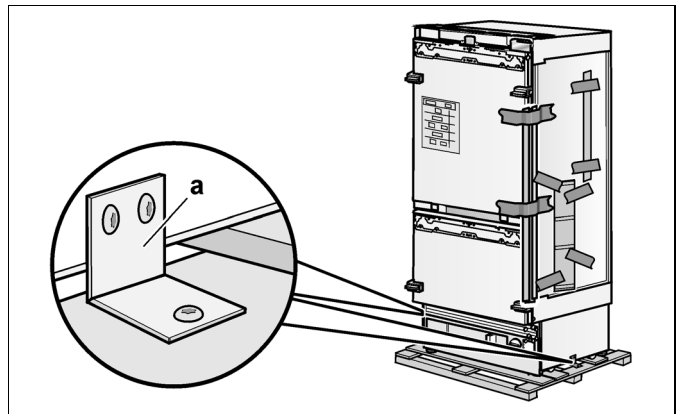
Advertencia:

Controle si el electrodoméstico presenta daños de transporte.

No instale el electrodoméstico si presenta daños visibles. En caso de dudas, consulte con su vendedor.

Para proteger la base de daños durante la instalación:

1. Quite el cartón. Utilice la cuchilla con cuidado para no rayar el electrodoméstico.
2. Colocar la placa de cartón o madera del embalaje debajo del electrodoméstico.
3. Retirar los accesorios sujetos al cuerpo exterior del aparato.
Guardar las tiras adhesivas de los accesorios sujetos al aparato. Servirán posteriormente para fijar las protecciones de los bordes en las paredes del hueco de montaje (véase el capítulo «A / 4. Según el tipo de piso:»).
4. Soltar los seguros de transporte (a) y retirar el aparato del palet de transporte, alzándolo a tal efecto – ¡prestar atención al elevado peso del aparato!



5. Abrir las puertas del aparato cuidadosamente – ¡existe peligro de vuelco! – y retirar los accesorios y el material de montaje de su interior.
Cerrar la puerta.

Advertencia:

Retirar los seguros de transporte de las bandejas y cajones del aparato sólo una vez que se ha instalado éste en su emplazamiento definitivo, de lo contrario podrían sufrir daños.

3. Transporte del electrodoméstico

⚠ ¡AVISO!

Por ello debe tenerse especial cuidado, ya que eventuales colaboradores pueden verse lesionados o el equipo puede sufrir daños. El electrodoméstico es extremadamente pesado.

El equipo presenta una altura de $83\frac{1}{8}$ " (2126 mm). Si no se puede transportar el equipo en posición vertical, debido a las características constructivas del sitio, puede transportárselo acostado.

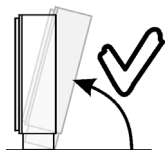
Advertencia:

¡No erigir el electrodoméstico sujetándolo de las paredes laterales!

Existe riesgo de daños en el electrodoméstico.

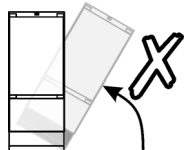
Tener en cuenta la altura mínima necesaria en el sitio de emplazamiento cuando se quiere parar el equipo, siguiendo los datos de la tabla siguiente:

Parar el equipo por la pared posterior



La altura mínima
86"/2185 mm

Parar el equipo por la pared lateral

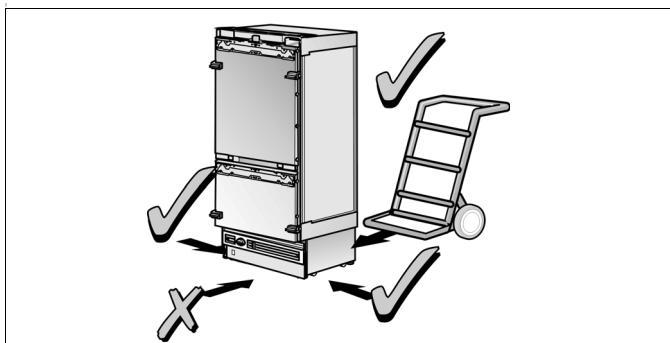


¡No erigir el electrodoméstico sujetándolo de las paredes laterales!

Advertencia:

Aplicar la carretilla de transporte siempre en el centro de la parte posterior del aparato. ¡No aplicarla nunca en la parte frontal o en uno de los laterales!

¡El aparato puede sufrir daños o desperfectos!

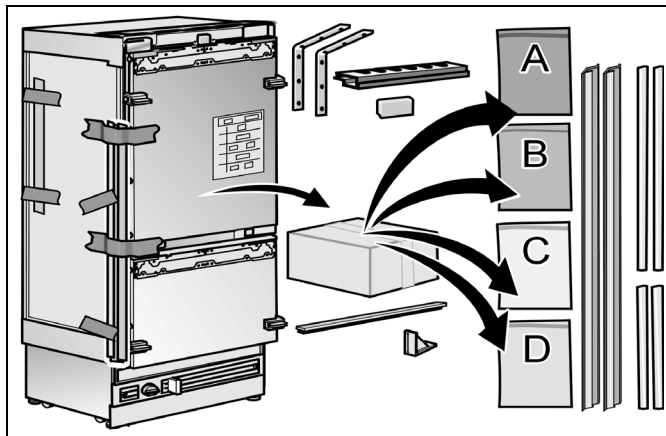


1. Transportar el equipo con elementos de transporte adecuados al sitio de emplazamiento y al equipo mismo (carretilla para sacos, elevador a horquillas o carro).
2. Asegurar el electrodoméstico para que no pueda volcarse durante el transporte.

4. Preparativos para el montaje

Desembalar el material de montaje y los accesorios.

Para facilitar el montaje, los paquetes están marcados, de conformidad a las diferentes operaciones de montaje descritas en las instrucciones, con las etiquetas A, B, C y D.



5. Instalación especial

El siguiente símbolo indica que deben cumplimentarse pasos adicionales antes de pasar al capítulo siguiente.

Los pasos de instalación especiales se describen después de la sección D.



- Por el cambio de la bisagra de la puerta superior, ver «Cambiando las bisagras».
- Por la instalación lado a lado, ver «Instalación Side-by-Side (lado a lado)».
- Por la conexión del agua, ver «Preparación para conectar el agua» y «Preparación para conectar el agua».
- Por el tope para la puerta, ver «Ajuste del ángulo de apertura de la puerta».

1. Colocación de los ángulos antivuelco

⚠ ¡AVISO!

¡Existe peligro de lesiones y daños! Asegure que no existan cables eléctricos o tuberías en la zonas donde deben penetrar los tornillos.

⚠ ¡AVISO!

¡Peligro de lesiones! Utilice siempre gafas y otros dispositivos de protección cuando instala o trabaja con tarugos.

Nota importante:

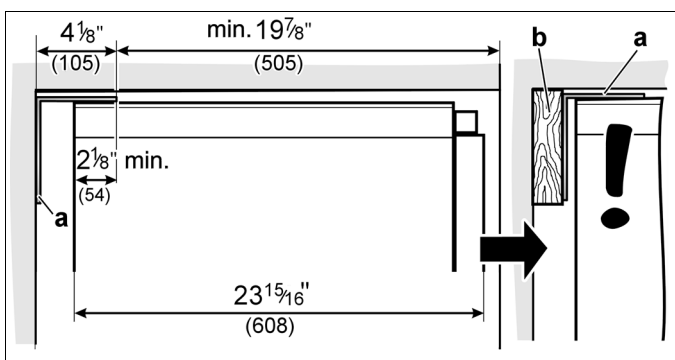
En caso de colocarse dos aparatos directamente uno junto al otro hay que utilizar los ángulos antivuelco como soportes de montaje. Unir a tal efecto los dos aparatos con los ángulos de montaje antes fijarlos en su emplazamiento, véase «Instalación Side-by-Side (lado a lado)».

Advertencias:

- Se requiere de dos ángulos antivuelco para cada electrodoméstico.
- El juego suministrado comprende diversos tornillos para diferentes instalaciones. Seleccione los tornillos de acuerdo a las condiciones.
- En caso de no poder efectuar un montaje seguro de los ángulos antivuelco y del aparato con los tornillos de fijación suministrados, deberá elegirse otro método para asegurar una fijación segura contra vuelco del aparato.

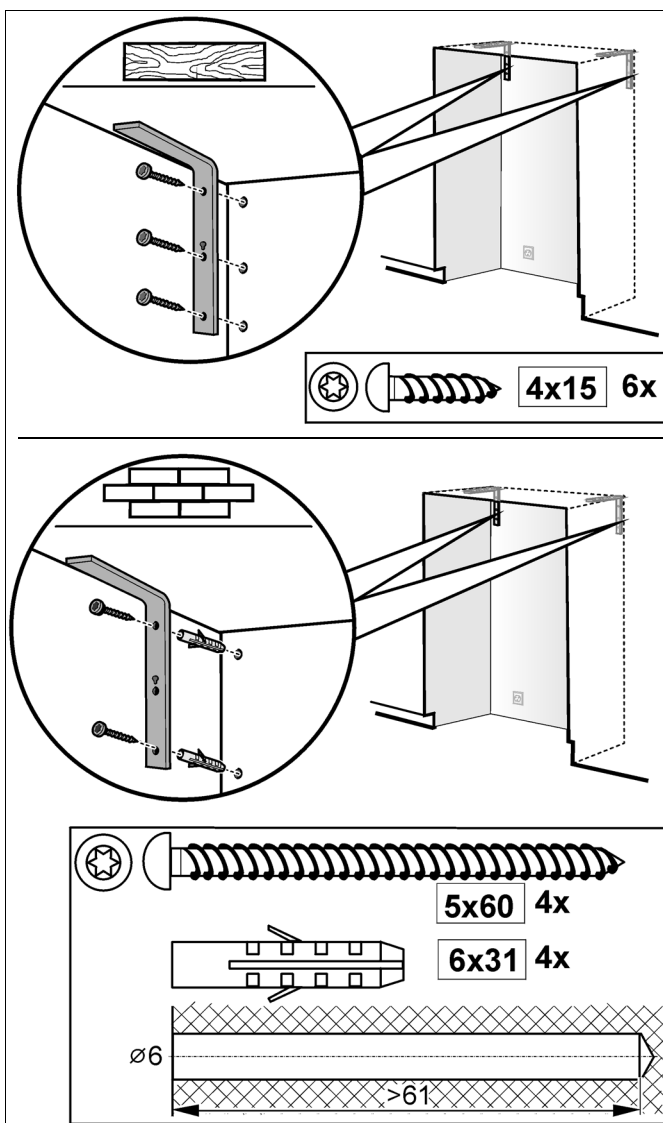
Los ángulos antivuelco (a) deben presentar una longitud mínima sobre el electrodoméstico de $2\frac{1}{8}$ " (54 mm) a fin de asegurar un emplazamiento seguro del equipo.

Si no se puede dar cumplimiento a esta longitud mínima debido a condiciones estructurales, puede lograrse ésto, sujetando un espaciador (b) detrás del ángulo antivuelco, es decir un trozo de madera de dimensiones suficientes.



¡La longitud de la madera debe estar de acuerdo con el ancho del espacio disponible para la instalación!

1. Determine los puntos de sujeción para los ángulos antivuelco.
Determine las medidas en detalle, consultando la sección «Medidas de instalación».
2. Sujete completamente los ángulos antivuelco.
Asegúrese que los tornillos estén firmes.



Notas importantes para la sujeción mediante tarugos y tornillos:

- No recomendado para ser usado en material de mampostería liviana como bloques y ladrillos.
- No recomendado para ser usado en cemento fresco que no ha tenido tiempo de fraguar.
- No deberán utilizar brocas avellanadoras para efectuar los taladros.

2. Montaje de un dispositivo antivuelco adicional

Nota importante:

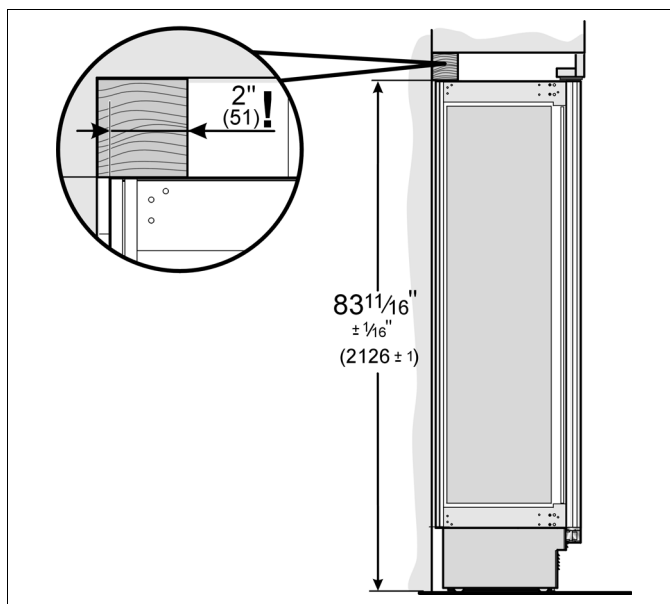
Si no se pueden montar los ángulos antivuelco con la firmeza requerida, puede montarse un dispositivo antivuelco alternativo. Sin embargo, debe asegurarse, de que no exista juego entre el electrodoméstico y el dispositivo antivuelco. Si es posible, atornille las viguetas de madera sobre monturas ya existentes en la pared de la cavidad.

1. Corte la vigueta de madera (sección transversal mín. 3" x 4") a la longitud requerida.

¡La longitud debe ser igual a la anchura de la cavidad de instalación!

Advertencias:

- Si la cavidad de instalación es más profunda que el electrodoméstico, seleccione una vigueta que presente una sección transversal mayor, o monte dos viguetas.
- La vigueta debe exceder el electrodoméstico en un mínimo de 2" (50,8 mm).



2. Marque la altura de instalación (esquina inferior de la madera) sobre el panel posterior de la cavidad.
3. Seleccione los tornillos de acuerdo al espesor de la vigueta de madera: longitud = mín. 2,5 x el espesor de la vigueta, diámetro # 12 o # 14.

Nota:

Especifique la cantidad de tornillos, de acuerdo al ancho de la cavidad, asegurando que la vigueta quede montada firmemente.

4. Según el tipo de piso:

Ubique la pared vertical cerca de la pared posterior de la cavidad y marque las perforaciones en la vigueta.

o

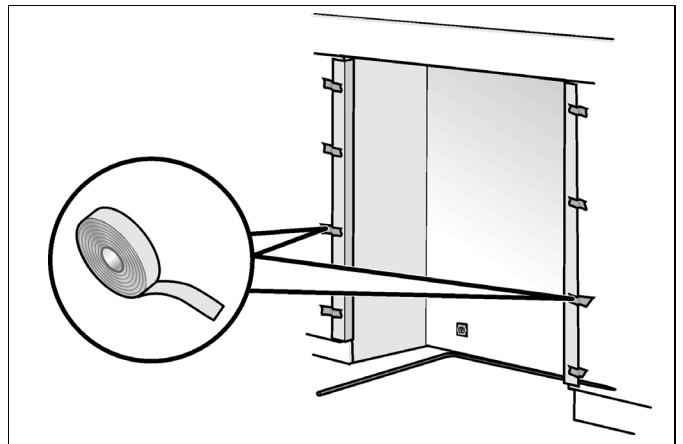
Fijar unos tacos adecuados en el panel posterior del hueco de montaje.

5. Perfore previamente la vigueta de madera.
6. Sujete la vigueta de madera en la pared posterior de la cavidad

3. Protección de las esquinas

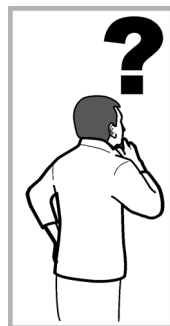
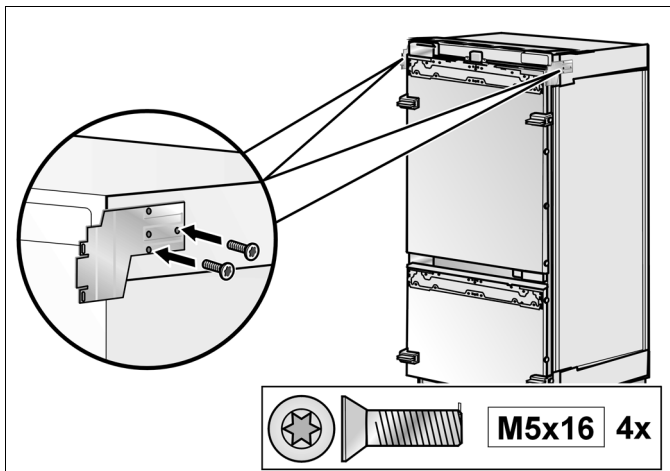
Para proteger los bordes del hueco de montaje se aconseja montar una protección de bordes de material adecuado.

Para fijarla deberán emplearse las tiras adhesiva con las que se habían fijado los accesorios al aparato.



A 4. Fijar la placa de sujeción (lateral)

Montar la placa de sujeción (lateral) en el aparato.

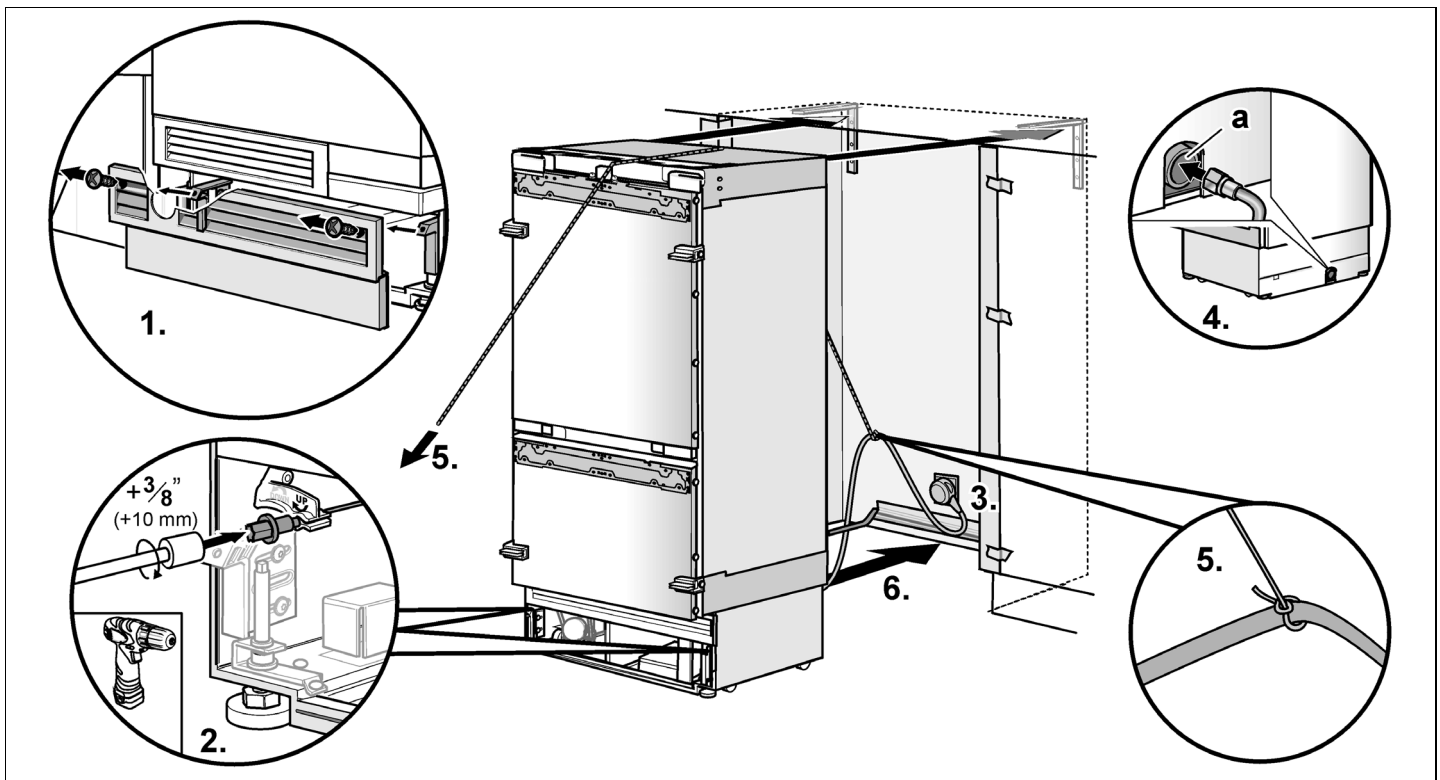


A continuación se detallan los pasos de instalación especiales.

Las instrucciones del caso se dan después de la sección D.

- Por el cambio de la bisagra de la puerta superior, ver «Cambiando las bisagras».
- Por la instalación lado a lado, ver «Instalación Side-by-Side (lado a lado)».
- Por la conexión del agua, ver «Preparación para conectar el agua».

1. Colocando el electrodoméstico en la cavidad de instalación



⚠ ATENCIÓN

Tenga cuidado al empujar el electrodoméstico al interior de la cavidad. No dañe la tubería de agua o el cable de alimentación.

Si el piso o el electrodoméstico es inclinado respecto de la cavidad de instalación, ajuste las ruedas ajustables en altura, antes de introducir el electrodoméstico en la cavidad.

1. Quitar el panel base.
2. Subir las ruedas ajustables en altura posteriores en aprox. $\frac{3}{8}$ " (10 mm).
3. Conecte el enchufe en el tomacorriente.
4. Introducir la alimentación de agua en el tubo de protección (a) que se encuentra en la parte posterior del electrodoméstico.

⚠ ¡AVISO!

¡Al introducir la tubería de alimentación de agua, el aparato puede volcar sobre el tubo protector (a)!

5. A fin de evitar daños en el cable de alimentación, favor de sujetar un trozo de hilo en el medio del mismo, pasando a éste último por encima del electrodoméstico. Al empujar el equipo, favor de tirar el cable hacia arriba. Cuidar de no magullar el cable de conexión.

o bien

Pegue el cable mediante cinta adhesiva en el suelo detrás del electrodoméstico a una distancia aprox. de 15" (380 mm) de la pared posterior de la cavidad.

6. Empuje cuidadosamente el electrodoméstico hacia el interior de la cavidad.
7. Quitar la protección de las esquinas (de existir).

2. Alineación del electrodoméstico

Advertencia:

A fin de asegurar que el electrodoméstico funcione correctamente debe estar perfectamente nivelado.

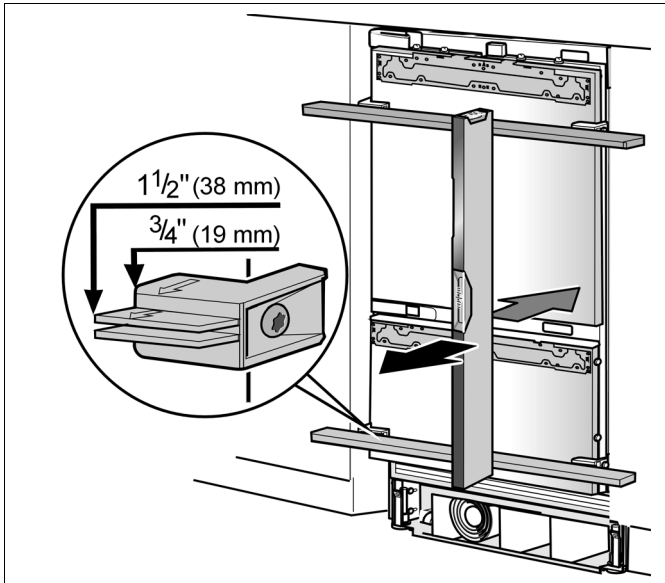
Alineación en profundidad

Las piezas auxiliares sobre la puerta fueron diseñadas para un espesor total de las puertas de los muebles:

- $\frac{3}{4}$ " (19 mm)
- $1\frac{1}{2}$ " (38 mm)

Tenga siempre en cuenta los espesores eventualmente diferentes de los frentes de los muebles que se sujetarán.

1. Alinee el electrodoméstico con los frentes de los muebles.
Coloque el nivel de marcar o las piezas auxiliares para la instalación sobre la puerta.



Alineación en altura

Advertencias:

- ¡No gire o presione el electrodoméstico dentro de la cavidad! Cuando desenrosque las patas de altura ajustable, proceda de modo gradual: alterne siempre entre la derecha y la izquierda, repitiendo el proceso alternativamente.
- El ajuste de las patas posteriores se facilita si se descarga la parte posterior del equipo.
- En caso de utilizar una tabla de madera como protección antivuelco alternativa, girar el aparato hasta el tope contra la tabla con ayuda de los soportes de altura regulable. ¡No torsionar el aparato contra la tabla de madera!

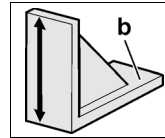
Las ruedas de altura ajustable tanto del frente como de la parte posterior, pueden ajustarse desde el frente.

- Frente: Llave de boca de $\frac{1}{2}$ " (SW 13 mm)
Fondo: Destornillador en cruz $\frac{5}{16}$ " (8 mm) con vástago flexible.

Como medida sugerida para el ajuste de la altura, se ha practicado una marca (a) en la pata del equipo.

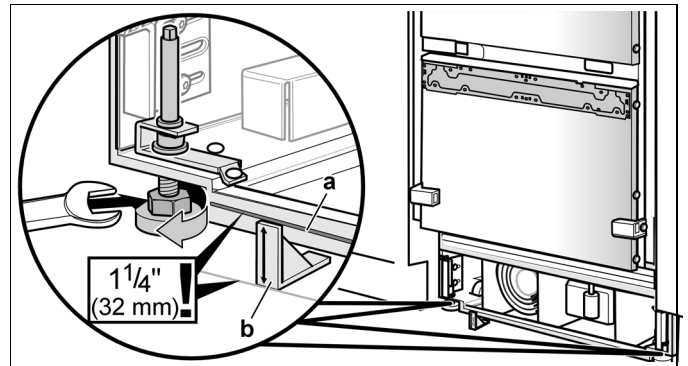
Durante el ajuste, esta marca (a) debe ajustarse esta marca a una altura de $1\frac{1}{2}$ " (32 mm) sobre el nivel del suelo.

¡Es sumamente importante cumplir con estas medidas, para lograr una buena alineación de los frentes de los muebles!

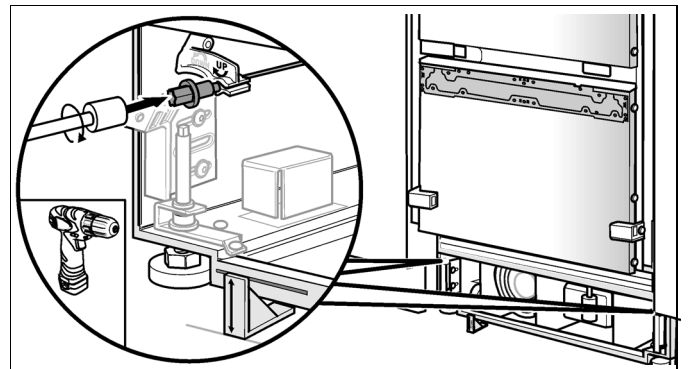


El elemento de ajuste de altura (b) se utiliza para el ajuste correcto de la misma. La esquina superior del elemento debe estar alineada con la marca que se encuentra en el equipo.

2. Desatornillar las patas anteriores del electrodoméstico hasta que la marca (a) que se encuentra en el electrodoméstico se encuentra alineada con la esquina superior del elemento de ajuste (b).



3. Alinear el electrodoméstico en sentido vertical, haciendo uso de las patas posteriores.
¡Utilizar un nivel!

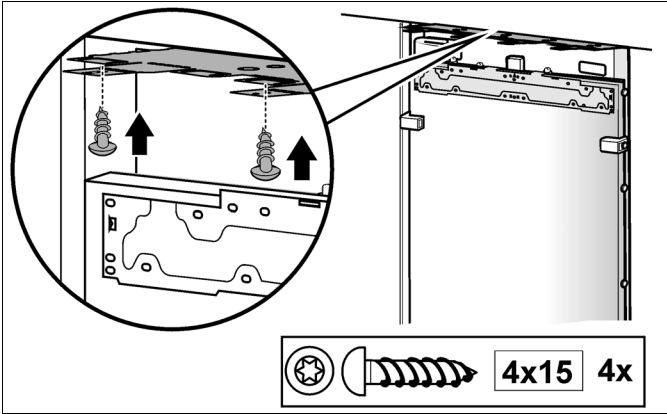


3. Sujetando el electrodoméstico a la cavidad

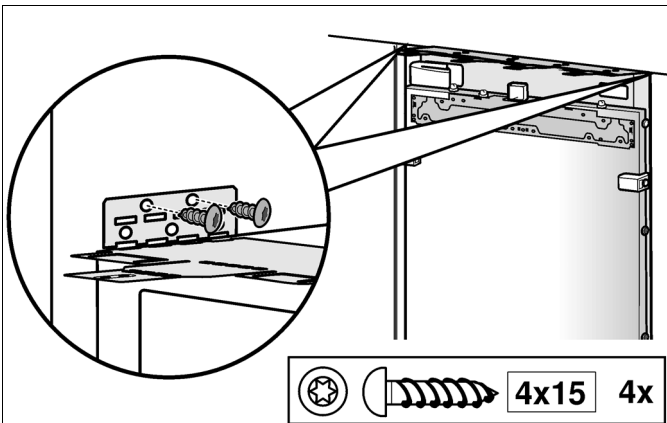
Advertencia:

Es indispensable sujetar el electrodoméstico en la parte superior del encerramiento.

1. Atornille las placas de las eclisas de sujeción (superiores) al mueble o adorno superpuesto.
2. Si en la parte superior del electrodoméstico existe un espacio mayor, es indispensable montar una vigueta de madera de medidas adecuadas, libre de juego sobre el equipo.

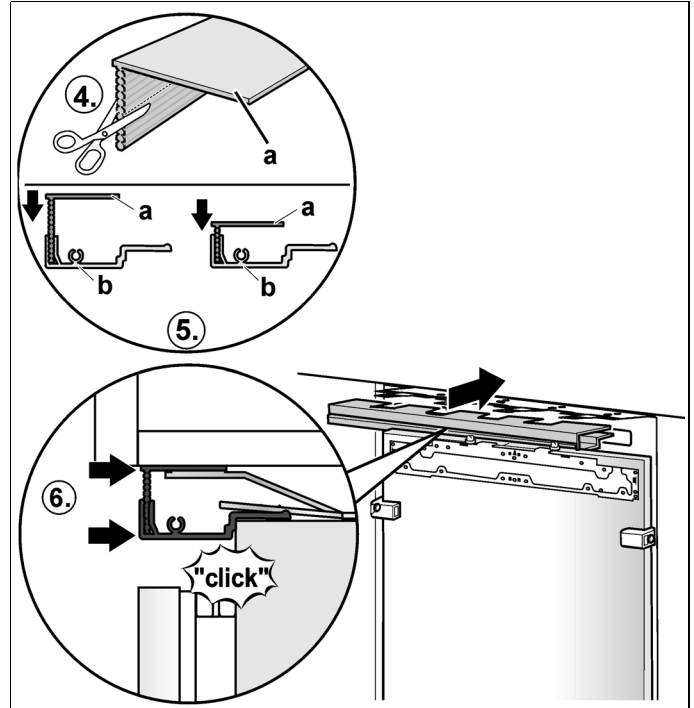


3. Si existe suficiente espacio en la parte superior del electrodoméstico, sujetar la las piezas de conexión de las placas de sujeción (superiores) en la pared lateral del encerramiento.



4. Cortar el listón de sujeción (a) a la longitud requerida para cerrar el espacio libre.

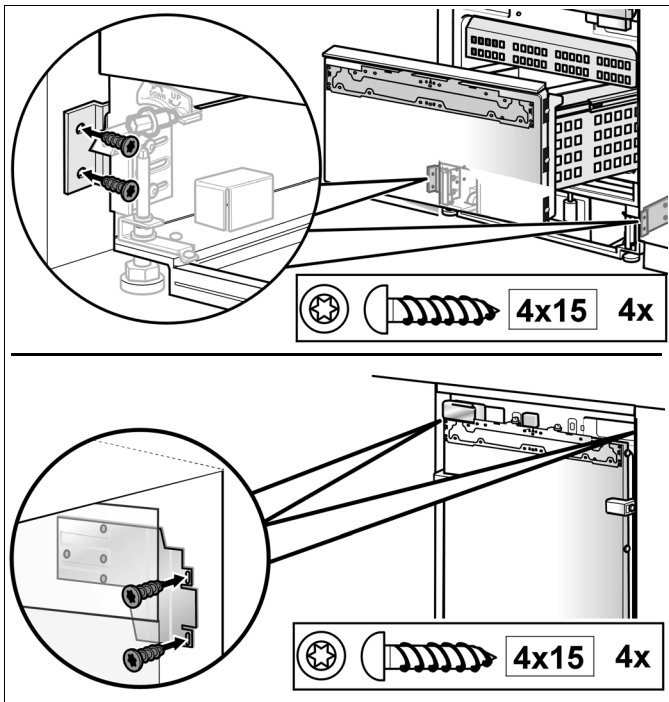
5. Presionar el listón de sujeción (a) contra el listón de cobertura (b).
6. Sujete el listón de cobertura (b) en la placa de montaje (arriba).



B

4. Fijar el aparato al lateral del hueco de montaje

B Atornille las placas de sujeción (laterales) a los muebles o adornos laterales.



A continuación se detalla un paso de instalación especial. Las instrucciones del caso se dan después de la sección D.

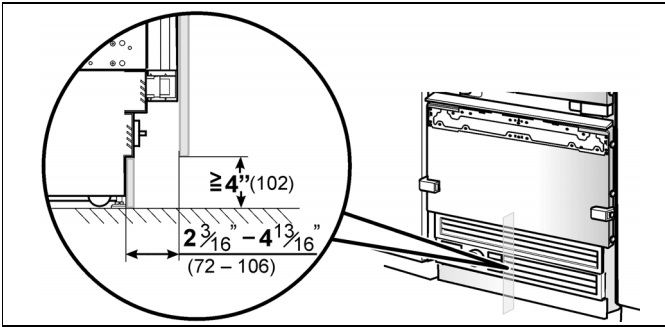
- Por la conexión del agua, ver «Preparación para conectar el agua».

1. Fijar el zócalo

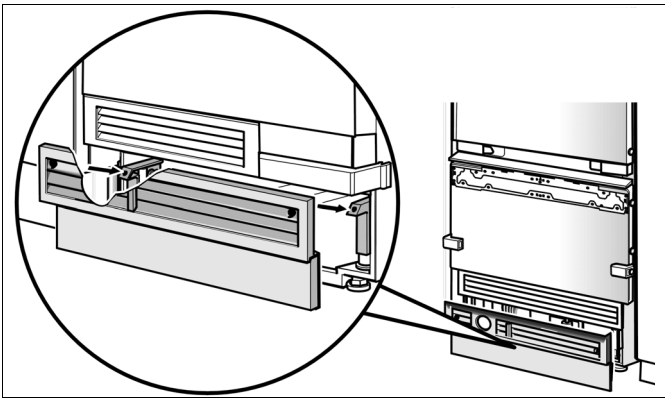
Advertencia:

No cubrir ni obstaculizar nunca las aberturas de ventilación del zócalo. ¡El aparato puede sufrir daños o desperfectos!

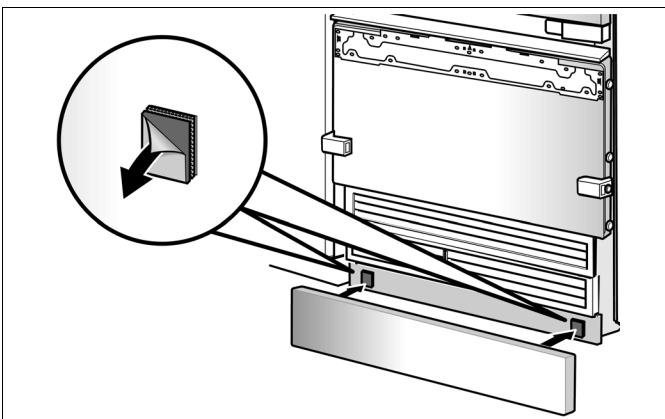
Cotas de referencia a observar:



1. En caso necesario, cortar el zócalo a la longitud necesaria.
2. Montar el revestimiento del zócalo (¡no atornillarlo al aparato!).



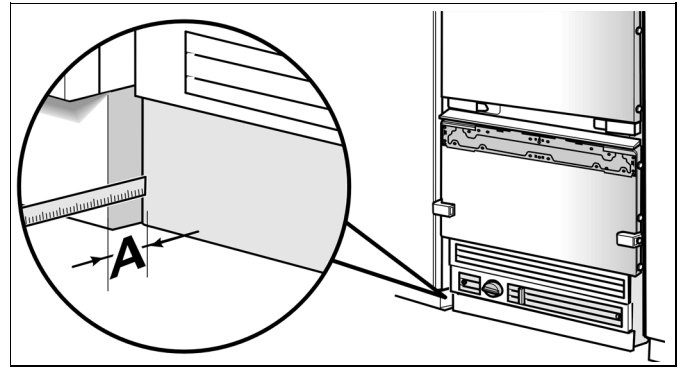
3. Retirar la lámina protectora de los elementos adhesivos de la cinta velcro.
4. Apoyar el zócalo contra el revestimiento; apretar fuertemente.



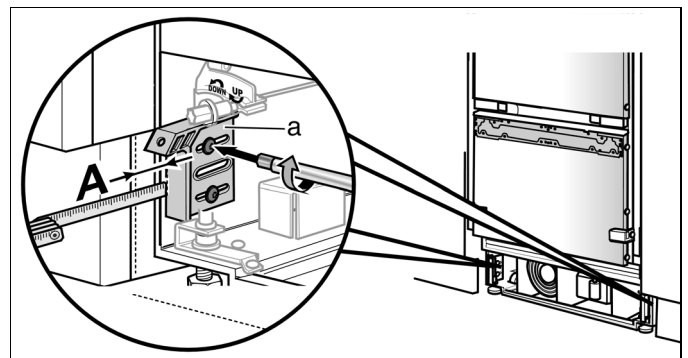
5. El zócalo se puede atornillar por detrás al revestimiento del mismo. A tal efecto, el revestimiento del zócalo posee una serie de taladros.

2. Alinear el revestimiento del zócalo

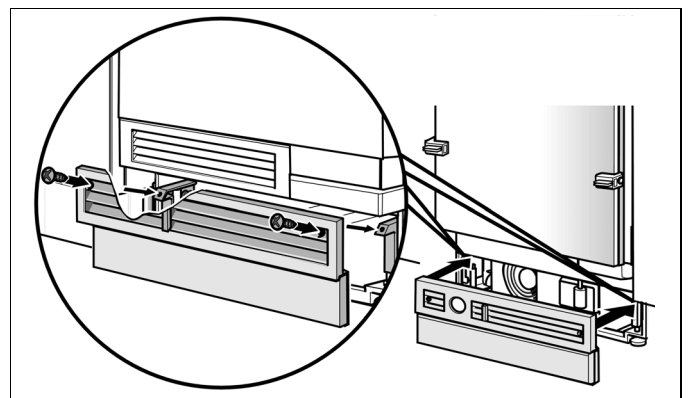
1. Montar el revestimiento del zócalo (¡no atornillarlo al aparato!).
2. Medir la diferencia de profundidad **A** entre el revestimiento del zócalo y el zócalo de los armarios de base adyacentes.



3. Retirar el revestimiento del zócalo.
4. Ajustar el valor **A** en la escuadra (a) y atornillarla.



5. Fijar el revestimiento del zócalo.



C

3. Poner en funcionamiento el aparato

Con objeto de asegurar la corrección de las siguientes operaciones de montaje, así como asegurar la óptica adecuada de todo el frontal de la cocina, deberá ponerse ahora el aparato en funcionamiento.

1. Abrir la puerta del aparato.
2. Accionar la tecla para conexión y desconexión del aparato.

Sólo para los modelos con conexión a la red de agua:

Con objeto de evitar el riesgo de daños debidos a las posibles fugas de agua en caso de sufrir desperfectos la tubería de alimentación de agua del aparato, la llave de paso deberá permanecer cerrada.

4. Preparar las puertas del mueble

Advertencia importante:

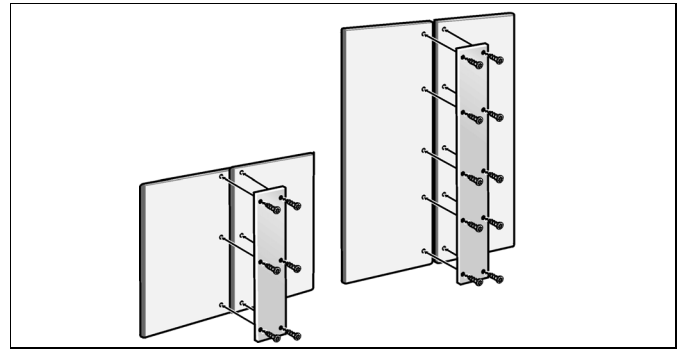
A realizar trabajos en las puertas de los muebles deberán tenerse en cuenta los siguientes puntos:

- Efectuar las operaciones de atornillado siempre en la parte más resistente y con mayor capacidad de sustentación de la puerta. No atornillar nunca en las zonas no macizas, por ejemplo entrepaños, etc. ¡No atornillar nunca en las zonas no macizas, por ejemplo entrepaños, etc.!
- Seleccionar los tornillos siempre con una longitud inferior al espesor del frontal del armario.
- Proteger las superficies de las puertas de los muebles durante los trabajos de instalación contra posibles daños.

El peso total de la puerta del mueble, incluidos los tiradores, no deberá sobrepasar los siguientes valores:

Anchura del aparato	Peso total de la puerta del mueble
30" (76 cm)	
- Puerta del comp. frigorífico	44 lbs/20 kg
- Compartimento de congelación	25 lbs/11,5 kg
36" (91 cm)	
- Puerta del comp. frigorífico	57 lbs/26 kg
- Compartimento de congelación	28,5 lbs / 13 kg

En los aparatos con anchuras de 30" (76 cm) y 36" (91 cm) se pueden montar dos puertas adyacentes en lugar de una grande. En tal caso, las puertas deberán unirse entre sí mediante una tira de metal montada en la parte posterior.



Esta tira de metal se puede adquirir en el distribuidor de productos como accesorio opcional para la instalación (Elemento de unión para las puertas de mueble). Más detalles a este respecto figuran en el capítulo «Accesorios y herramientas necesarias».

Cuando sujete el listón metálico a la puerta de los muebles, tenga en cuenta de usar los tornillos de la mayor longitud posible y la posición de las perforaciones. Atornille siempre en el material de mejor capacidad de carga de la puerta del electrodoméstico.

Advertencias:

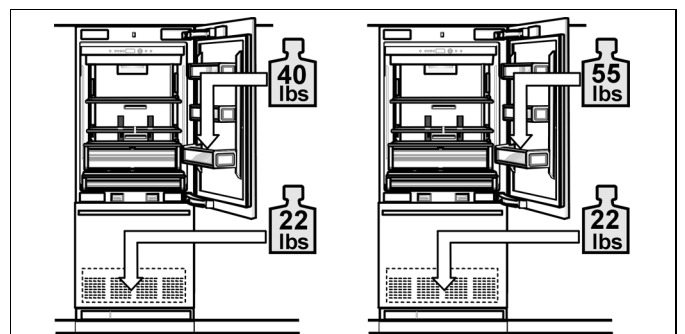
- Nunca colocar tornillos en los paneles de las puertas, listones decorativos o similar.
- Si se coloca una sola puerta en electrodomésticos de 30" (76 cm) y 36" (91 cm), sujete la placa sándwich al riel de ajuste y trábela en la posición correcta.

5. Cargar la puerta del aparato

Al montar las puertas del mueble, se aconseja cargar los compartimentos y estantes de la puerta del aparato con pesos adecuados, a fin de asegurar que las holguras sean lo más exactas posibles al alinear el aparato.

Cargas aconsejadas:

Anchura del aparato	Carga de la puerta del mueble
30" (76 cm)	
- Puerta del comp. frigorífico	40 lbs/18 kg
- Compartimento de congelación	22 lbs/10 kg
36" (91 cm)	
- Puerta del comp. frigorífico	55 lbs/25 kg
- Compartimento de congelación	22 lbs/10 kg

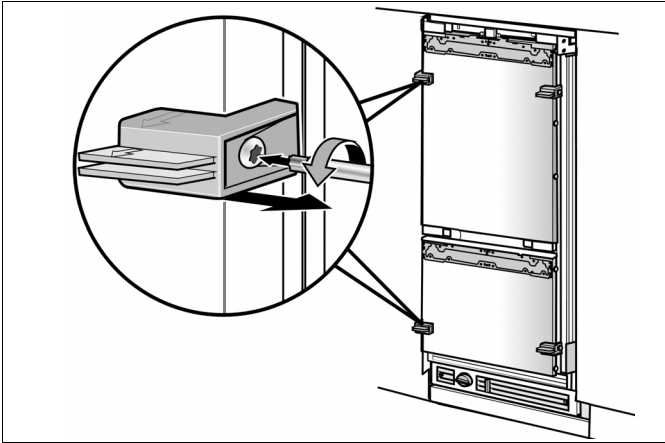


6. Desmontar los elementos de posicionamiento

Retirar los elementos de posicionamiento de la puerta del aparato.

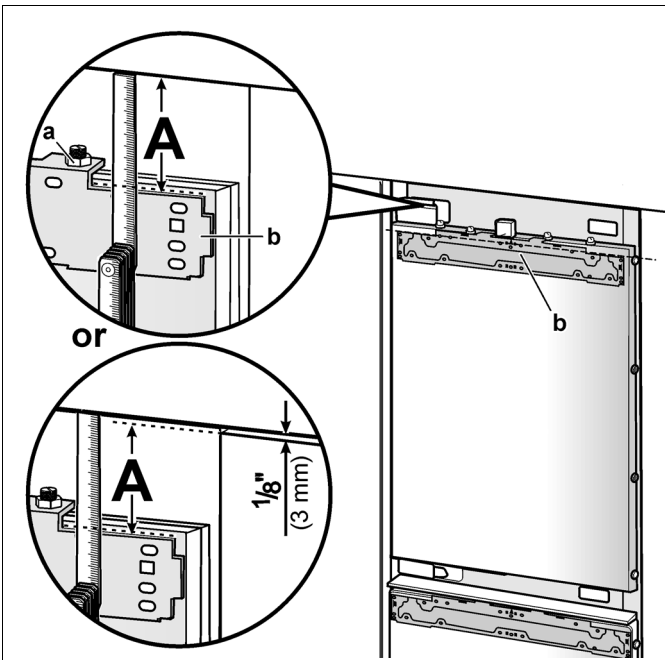
Advertencia:

Téngase en cuenta que los elementos de posicionamiento se necesitarán más adelante.

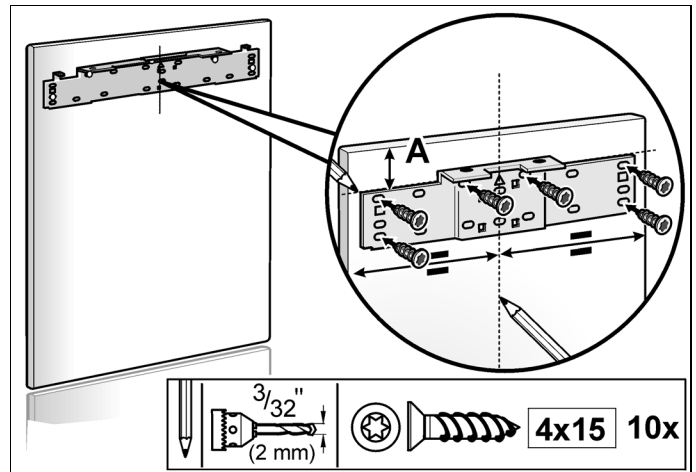


7. Fijar el perfil de ajuste en la puerta del mueble (compartimento frigorífico)

1. Medir la distancia **A** entre el perfil de ajuste y los elementos del mueble situados por encima del mismo.



2. Soltar las dos tuercas (a) y retirar el perfil de ajuste (b).
3. Marcar el valor **A** medido en la parte posterior de la puerta del mueble.
4. Determinar y marcar el centro de la puerta del mueble.
5. Colocar el perfil de ajuste sobre la puerta del mueble y alinearlo en función de las marcas. Marcar la posición de los taladros.
6. Practicar los taladros en los puntos marcados.
7. Atornillar el perfil de ajuste.



Advertencias:

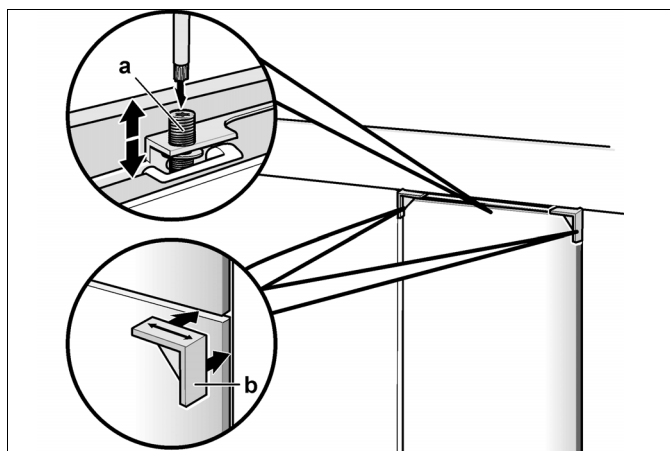
- Situar cada tornillo debajo de un bulón roscado.
- El perfil de ajuste dispone de taladros en diferentes posiciones para los distintos diseños de las puertas de los muebles. Efectuar las operaciones de atornillado siempre en la parte más resistente y con mayor capacidad de sustentación de la puerta. No atornillar nunca en las zonas no macizas, por ejemplo entrepaños, etc.

8. Fijar los perfiles de fijación en la puerta del mueble (compartimento frigorífico)

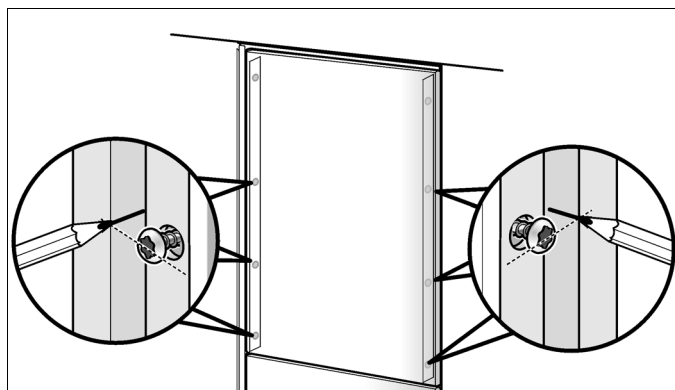
Advertencia:

Los rieles de fijación están premontados en las puertas de acero inoxidable opcionales. Continuar en este caso con el paso siguiente («C/11. Fijar la puerta del mueble (compartimento de congelación)»).

1. Enganchar la puerta del mueble en los bulones roscados (a).
2. Alinear la puerta del mueble mediante los bulones roscados (y un destornillador Torx). Controlar la holgura. Utilizar a tal efecto el calibre de montaje (b).

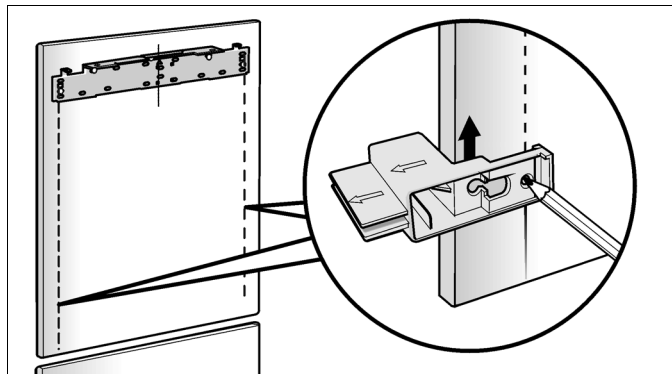


3. Trasladar y marcar la posición de los tornillos de fijación del borde exterior de la puerta del aparato en la puerta del mueble.

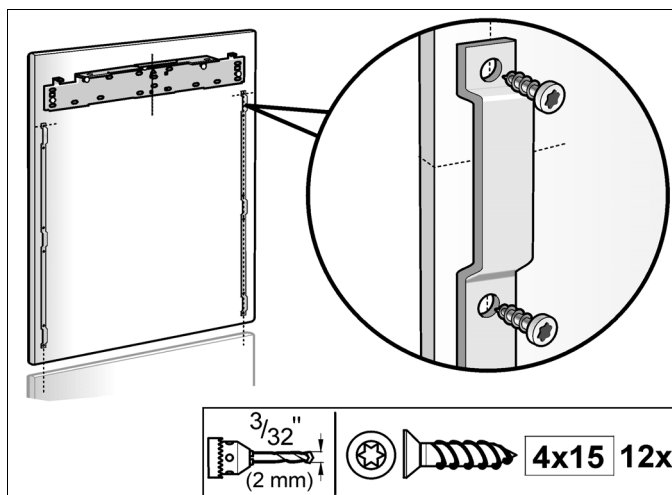


4. Retirar la puerta del mueble.

5. Trazar sendas paralelas en los dos lados largos de la puerta del mueble con ayuda del elemento de posicionamiento.



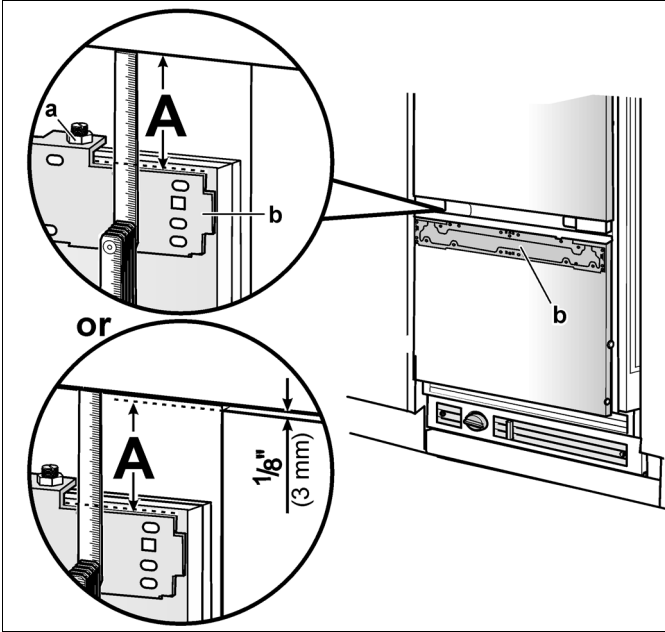
6. Prolongar las marcas con la escuadra de respaldo hasta las paralelas.
7. Colocar los rieles de fijación (b) y marcar la posición de los orificios.
8. Practicar los taladros en los puntos marcados.
9. Atornillar los rieles de fijación (b).



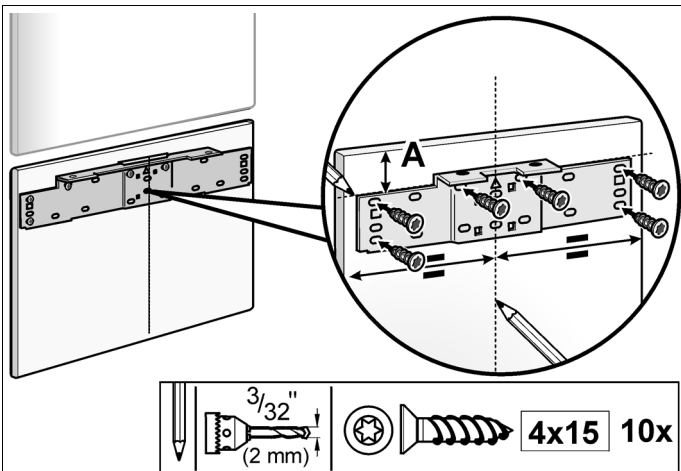
10. Enganchar la puerta del mueble en los bulones roscados.

9. Fijar el perfil de ajuste en la puerta del mueble (compartimento de congelación)

1. Medir la distancia **A** entre el perfil de ajuste y el borde inferior de la puerta del compartimento frigorífico.



2. Soltar las dos tuercas (a) y retirar el perfil de ajuste (b).
3. Marcar el valor **A** medido en la parte posterior de la puerta del mueble.
4. Determinar y marcar el centro de la puerta del mueble.
5. Colocar el perfil de ajuste sobre la puerta del mueble y alinearlos en función de las marcas. Marcar la posición de los taladros.
6. Practicar los taladros en los puntos marcados.
7. Atornillar el perfil de ajuste.



Advertencias:

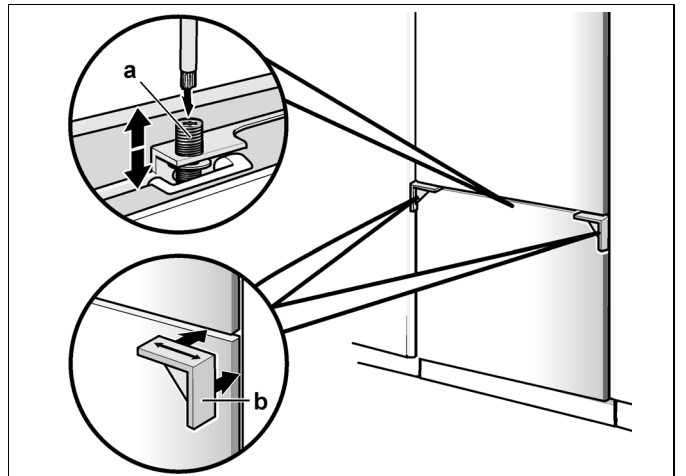
- Montar el perfil de ajuste en la puerta del mueble con un mínimo de 10 tornillos. Situar cada tornillo debajo de un bulón roscado.
- El perfil de ajuste dispone de taladros en diferentes posiciones para los distintos diseños de las puertas de los muebles. Efectuar las operaciones de atornillado siempre en la parte más resistente y con mayor capacidad de sustentación de la puerta. No atornillar nunca en las zonas no macizas, por ejemplo entrepaños, etc.

10. Fijar los perfiles de fijación en la puerta del mueble (compartimento de congelación)

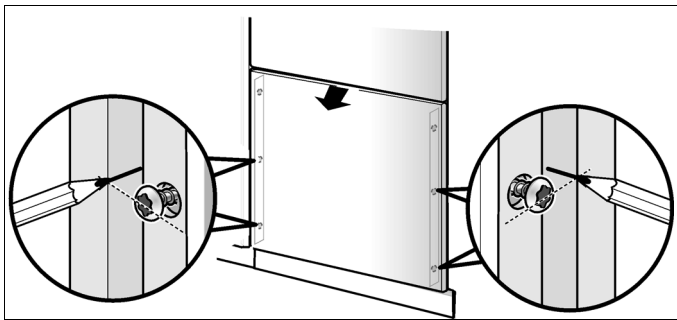
Advertencia:

Los rieles de fijación están premontados en las puertas de acero inoxidable opcionales. Continuar en este caso con el paso siguiente («C/11. Fijar la puerta del mueble (compartimento de congelación)»).

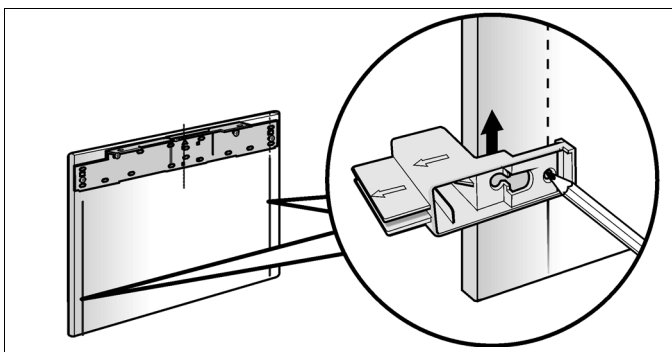
1. Enganchar la puerta del mueble en los bulones roscados (a).
2. Alinear la puerta del mueble mediante los bulones roscados (y un destornillador Torx). Controlar la holgura. Utilizar a tal efecto el calibre de montaje (b).



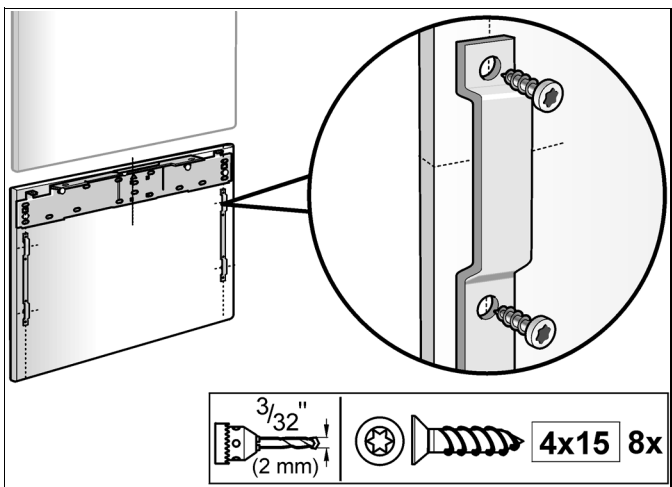
- Trasladar y marcar la posición de los tornillos de fijación del borde exterior de la puerta del aparato en la puerta del mueble.



- Retirar la puerta del mueble.
- Trazar sendas paralelas en los dos lados largos de la puerta del mueble con ayuda del elemento de posicionamiento.



- Prolongar las marcas con la escuadra de respaldo hasta las paralelas.
- Colocar los rieles de fijación (b) y marcar la posición de los orificios.
- Practicar los taladros en los puntos marcados.
- Atornillar los rieles de fijación (b).

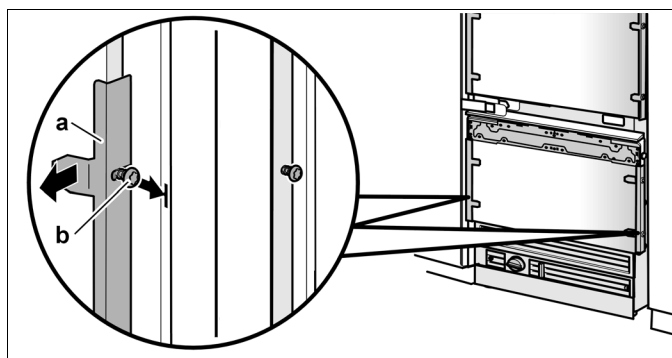


11. Fijar la puerta del mueble (compartimento de congelación)

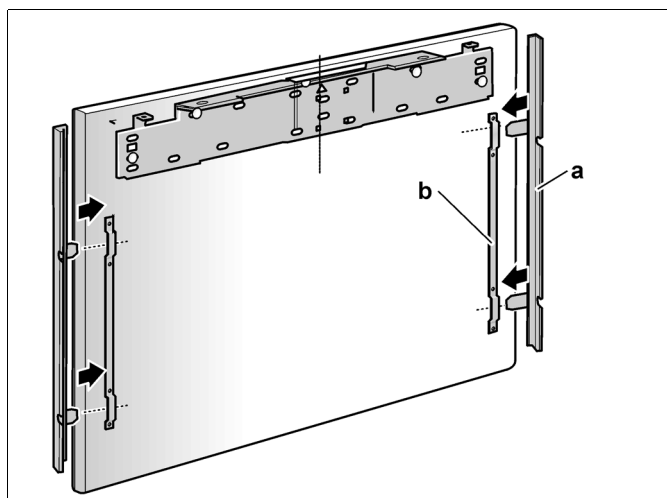
Advertencia:

Montar ahora los tiradores de la puerta, dado que tienen que atornillarse por detrás.

- Retirar las escuadras de sujeción (a) de la puerta del aparato. Aflojar a tal efecto simplemente los tornillos de sujeción (b).

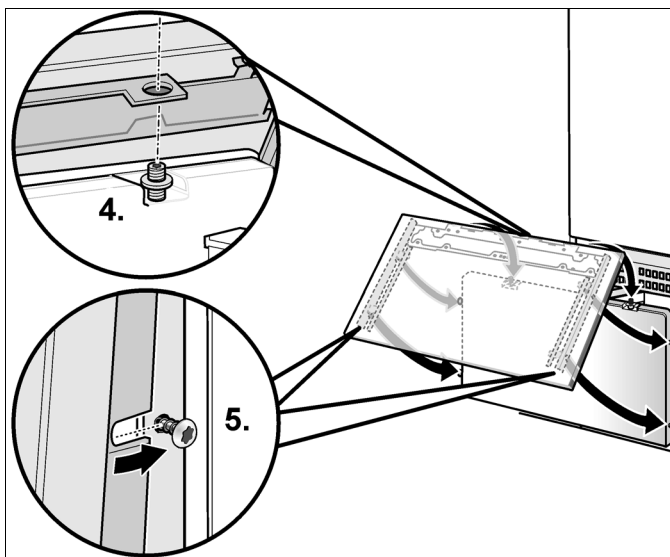


- Montar las escuadras de sujeción (a) retiradas en el riel de fijación (b) de la puerta del mueble.

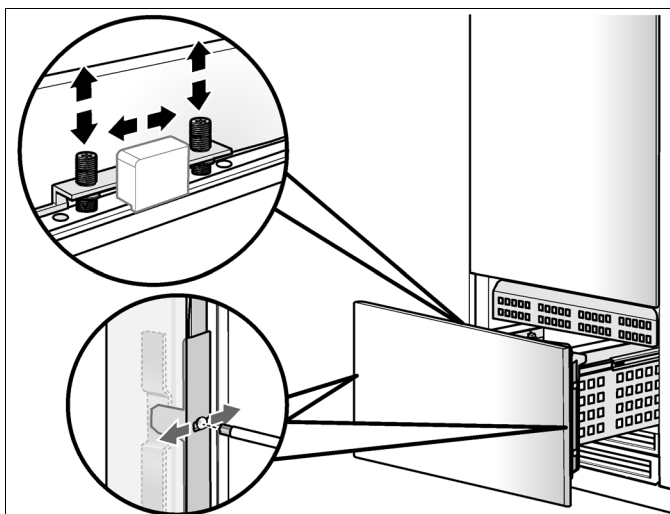


- Abrir el cajón.

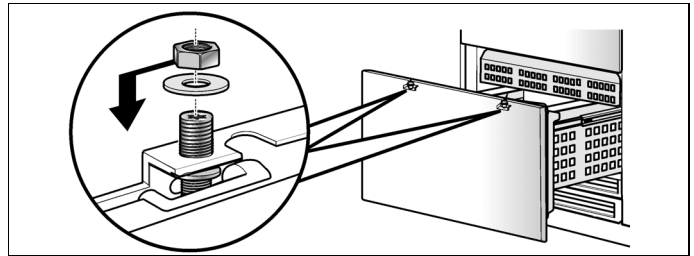
- Enganchar la puerta del mueble con el perfil de ajuste en los bulones roscados.
- Desplazar la puerta del mueble hacia abajo. Deslizar las escuadras de sujeción de arriba hacia abajo por encima de los tornillos de sujeción de la puerta del aparato.



- Alinear la puerta del mueble mediante los bulones roscados (y un destornillador Torx). Controlar la holgura.
- Cerrar la puerta y cerciorarse de que la profundidad del frontal del armario coincide con la de los frontales de los muebles adyacentes. En caso necesario, hacer las correcciones pertinentes.
- Apretar los tornillos de las escuadras de fijación para fijar la alineación en profundidad.
- Cerrar la puerta y verificar la alineación lateral. Corregir la posición golpeando suavemente con la mano contra el borde de la puerta abierta.



- Enroscar las tuercas en los bulones roscados del perfil de ajuste. Apretarlas. De este modo se fija la alineación lateral de la puerta.

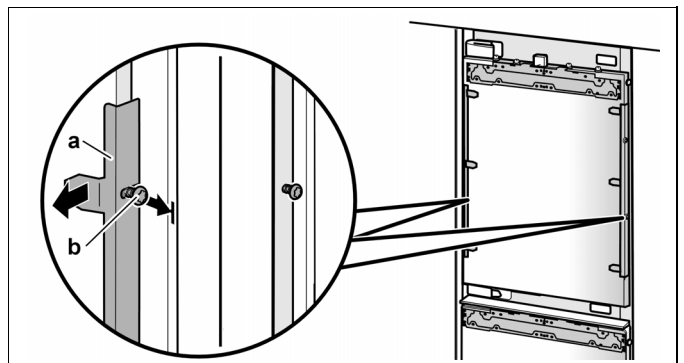


12. Fijar la puerta del mueble (compartimento frigorífico)

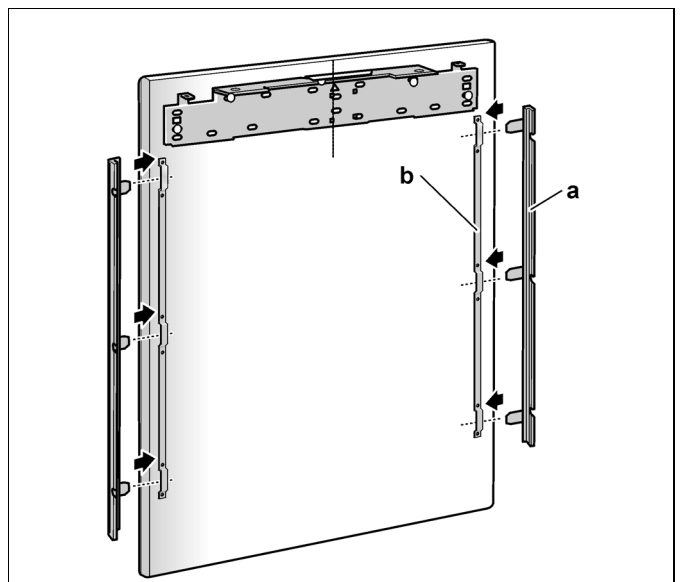
Advertencia:

Montar ahora los tiradores de la puerta, dado que tienen que atornillarse por detrás.

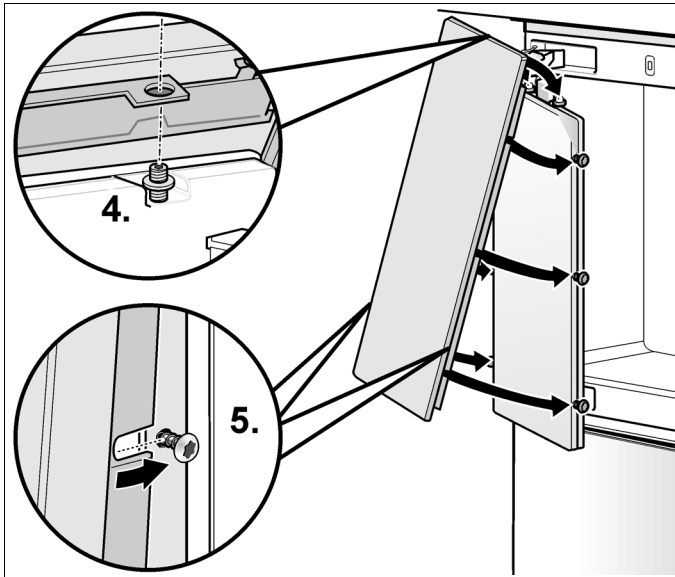
- Retirar las escuadras de sujeción (a) de la puerta del aparato. Aflojar a tal efecto simplemente los tornillos de sujeción (b).



- Montar las escuadras de sujeción (a) retiradas en el riel de fijación (b) de la puerta del mueble.

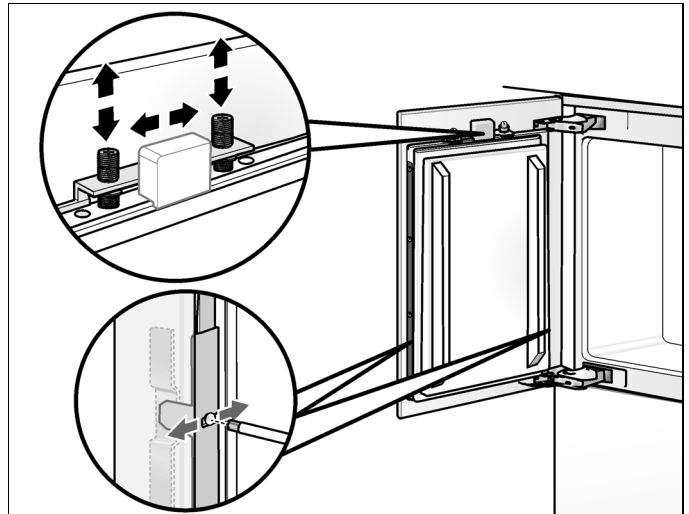


3. Abrir la puerta del aparato.
4. Enganchar la puerta del mueble con el perfil de ajuste en los bulones roscados.
5. Desplazar la puerta del mueble hacia abajo. Deslizar las escuadras de sujeción de arriba hacia abajo por encima de los tornillos de sujeción de la puerta del aparato.

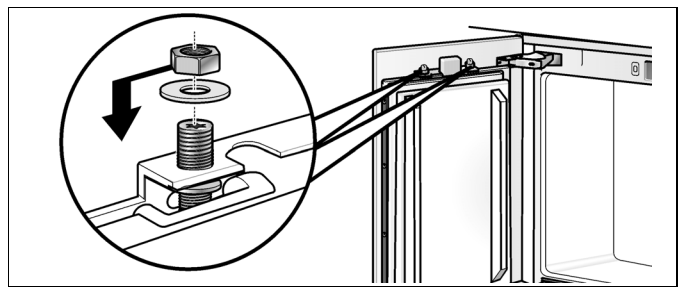


6. Alinear la puerta del mueble mediante los bulones roscados (y un destornillador Torx). Controlar la holgura.
7. Cerrar la puerta y cerciorarse de que la profundidad del frontal del armario coincide con la de los frontales de los muebles adyacentes. En caso necesario, hacer las correcciones pertinentes.
8. Apretar los tornillos de las escuadras de fijación para fijar la alineación en profundidad.

9. Cerrar la puerta y verificar la alineación lateral. Corregir la posición golpeando suavemente con la mano contra el borde de la puerta abierta.



10. Enroscar las tuercas en los bulones roscados del perfil de ajuste. Apretarlas. De este modo se fija la alineación lateral de la puerta.



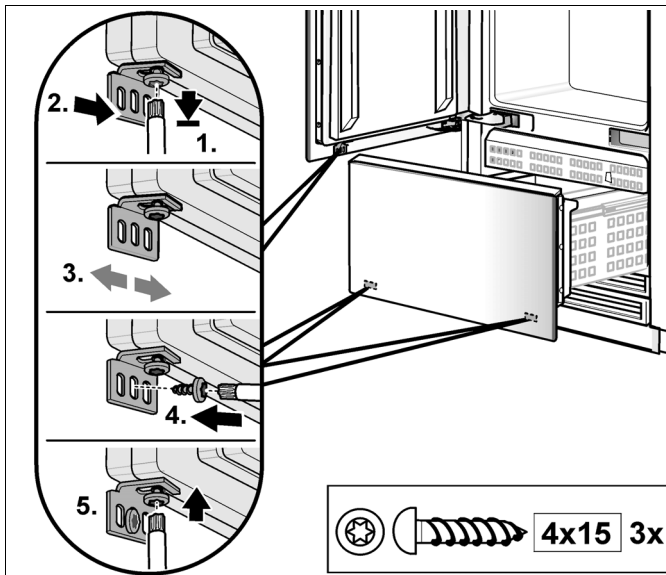
13. Enroscar las escuadras de fijación inferiores sin apretarlas

Mediante la escuadra de fijación inferior se fija la alineación lateral de la puerta.

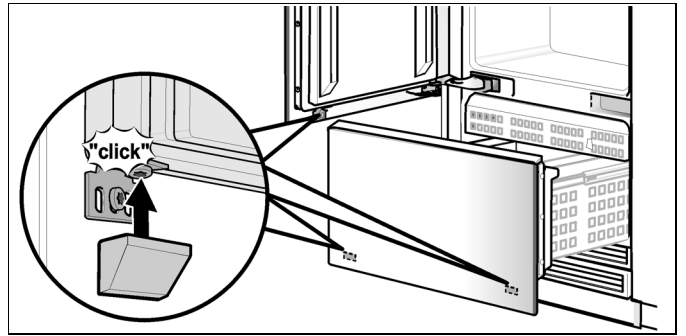
El número de las escuadras de fijación inferiores depende de la anchura y el diseño concretos de la puerta del mueble.

Enroscar las escuadras de fijación inferiores sin apretarlas. Practicar previamente los taladros correspondientes en la puerta del mueble.

1. Soltar el tornillo.
2. Deslizar la escuadra de sujeción por encima del tornillo.
3. Verificar el posicionamiento lateral de la puerta.
4. Enroscar los tornillos para madera.
5. Apretar los tornillos.

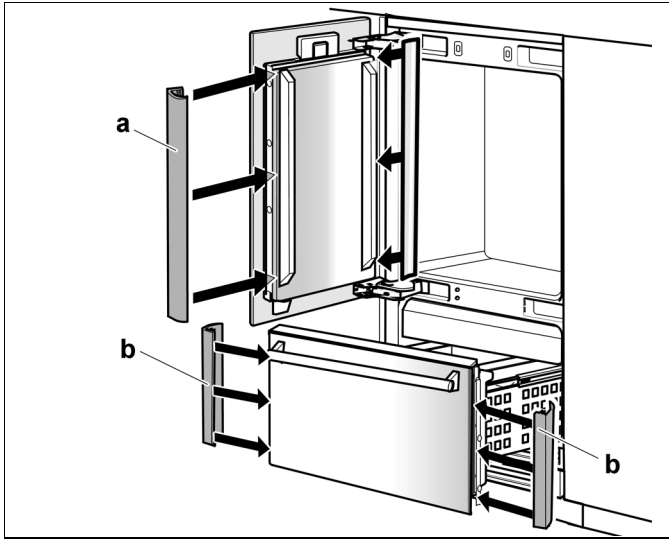


6. Encajar las protecciones en las escuadras de fijación.

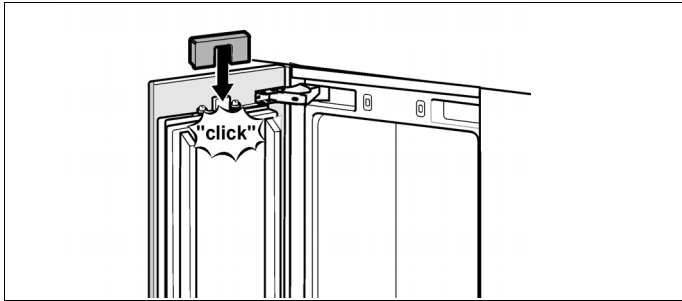


1. Montar las protecciones

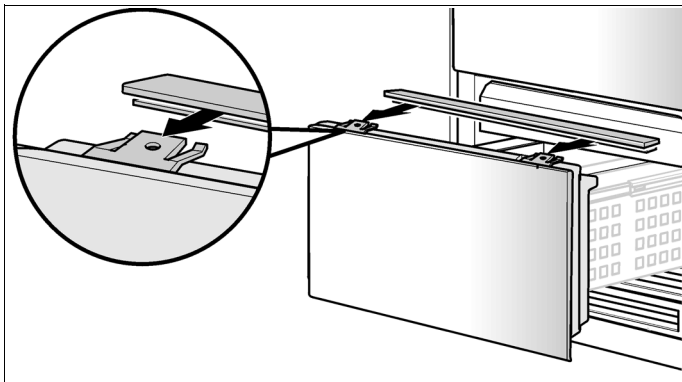
1. Encajar los perfiles protectores en la puerta (a) y en ambos lados del cajón de congelación (b).



2. Montar la protección del interruptor de la iluminación interior.
La protección del interruptor de la iluminación interior se puede atornillar en la puerta.

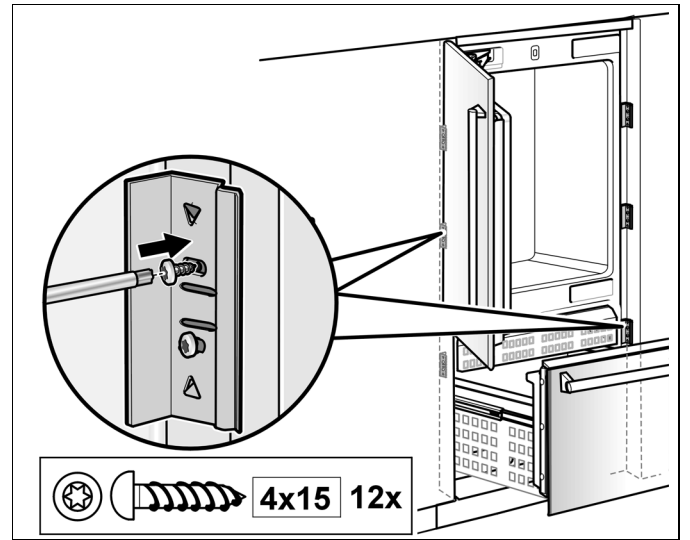


3. Montar los perfiles de recubrimiento por encima del perfil de ajuste del compartimento de congelación.

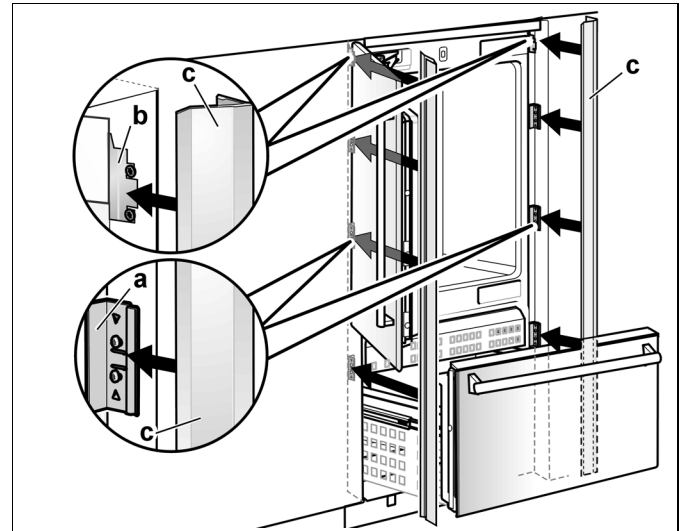


Sólo para los aparatos individuales:

4. Enroscar las escuadras (a) para fijar los perfiles de recubrimiento.



5. Montar los perfiles de recubrimiento (c) en las placas de fijación (b) y las escuadras (a).

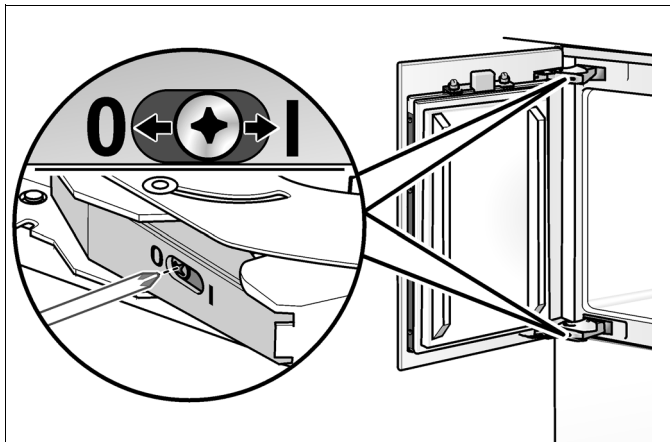


2. Tensar el muelle de la bisagra

Girar el tornillo de ajuste con ayuda de un destornillador para tornillos de cabeza en estrella.

I = Muelle tensado

0 = Muelle en reposo



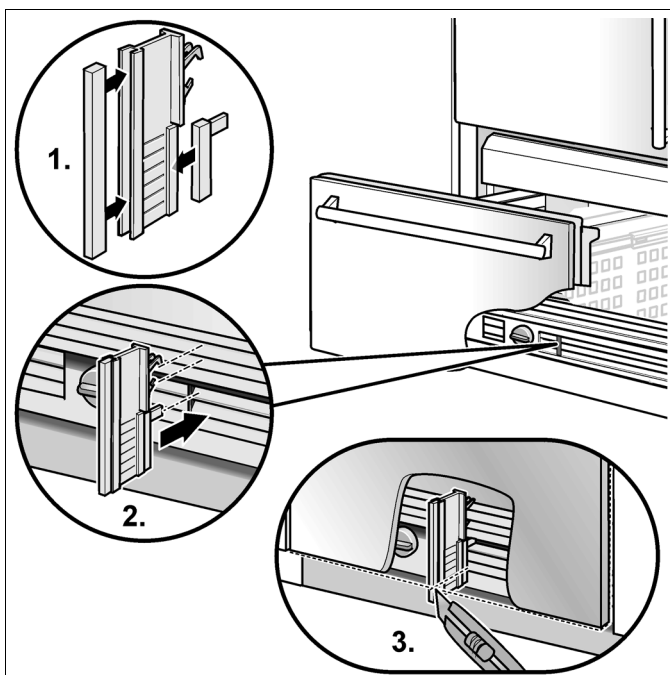
A continuación se detalla un paso de instalación especial.

Las instrucciones del caso se dan después de la sección D.

- Ángulo de apertura de las puertas, véase «Ajuste del ángulo de apertura de la puerta».

3. Montaje del separador de aire

Montar el separador de aire a la puerta del mueble a fin de separar el aire de entrada y salida.



Con esto ha concluido el montaje del aparato.



Instalación especial

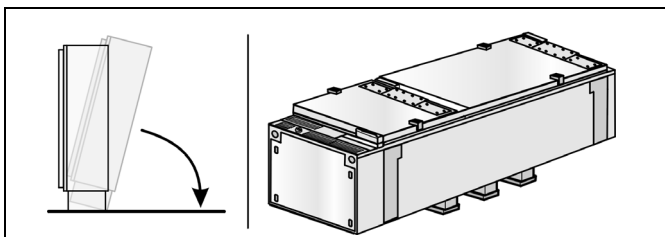
Cambiando las bisagras

⚠ ¡AVISO!

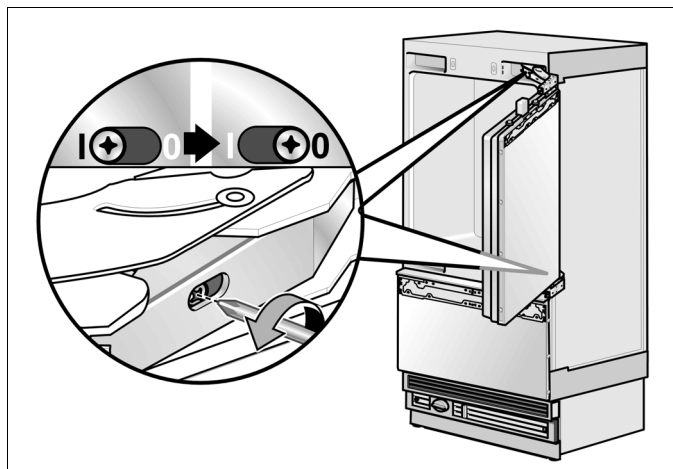
¡Hay peligro de lesiones! ¡Antes de trabajar en las bisagras, quite los muelles!

Advertencia:

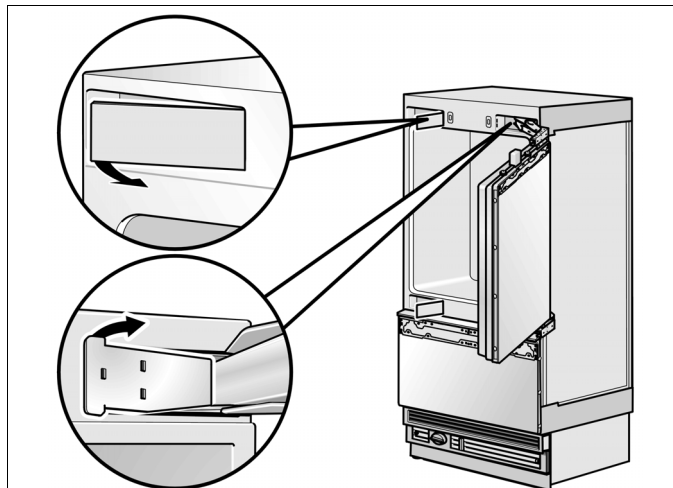
Las operaciones para el cambio del sentido de apertura de las puertas se puede facilitar colocando el aparato sobre su parte posterior (colocar a tal efecto debajo del aparato uno de los palets de transporte).



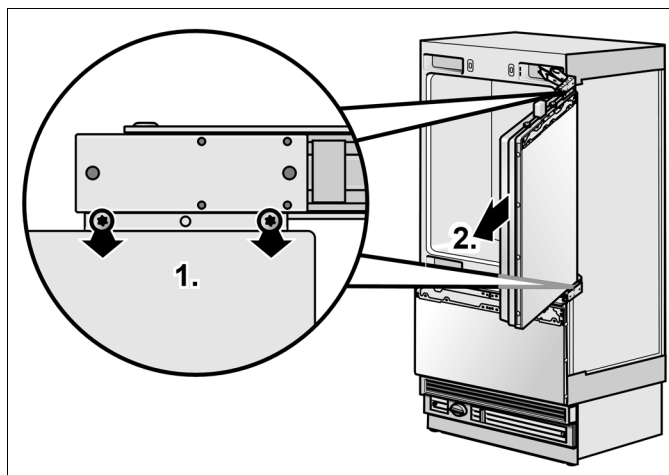
1. Afloje el muelle de la bisagra. Afloje el tornillo **I** a **0**.



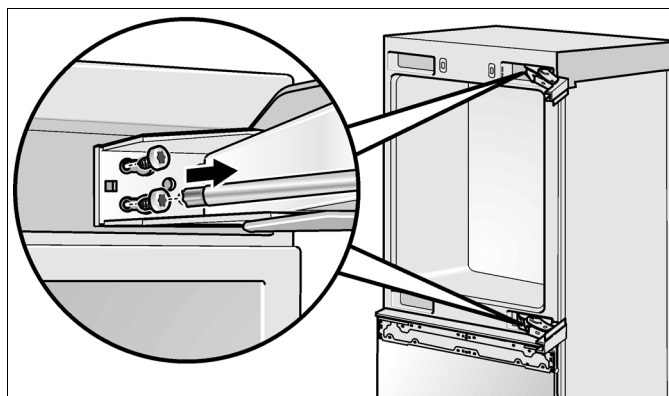
2. Quite la caja de protección de la bisagra.



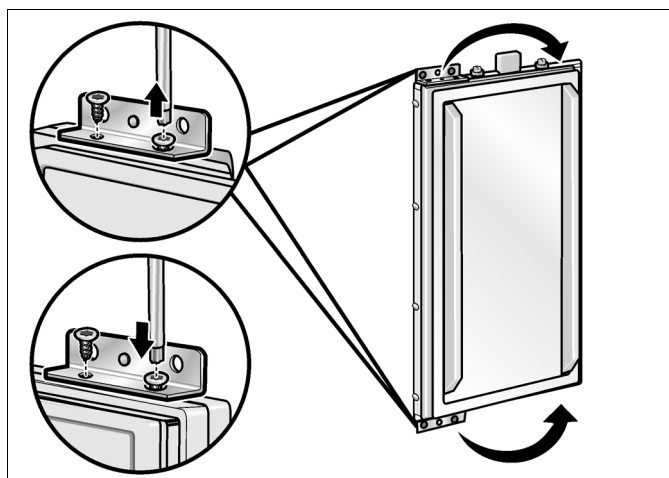
3. Desatornillar (1.) y quitar (2.) la puerta.



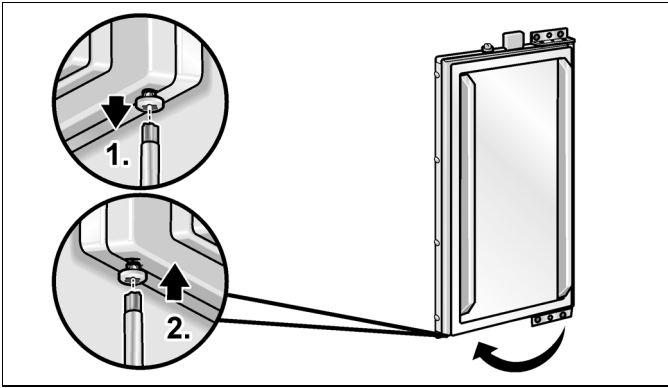
4. Quite las bisagras.



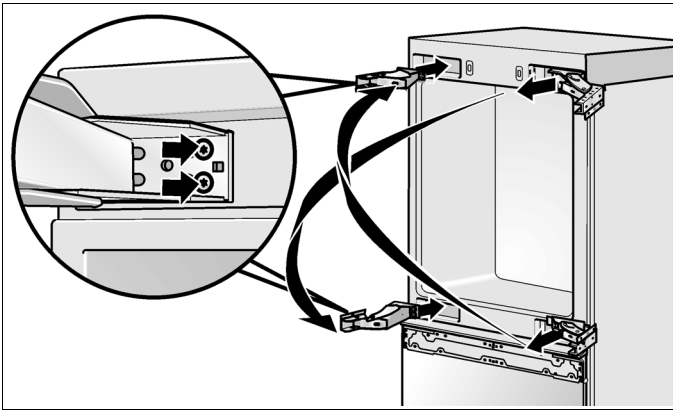
5. Cambie de lado las piezas de sujeción en la puerta.



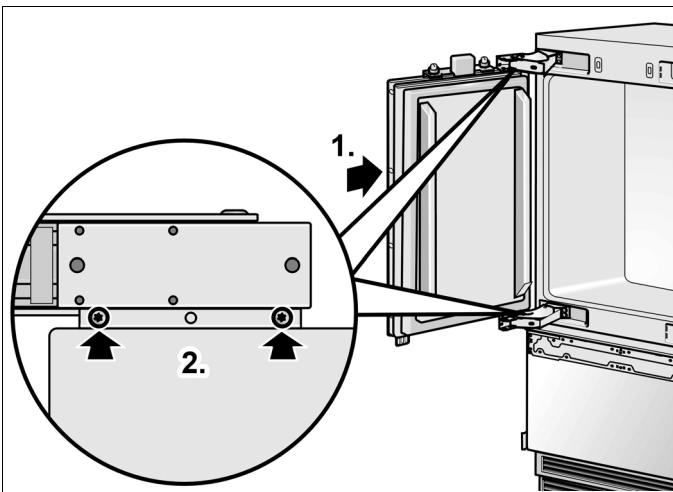
6. Cambiar de sitio el tornillo en el tope superior.



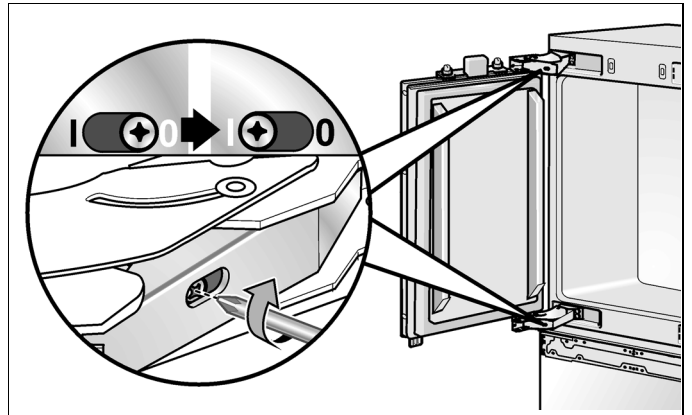
7. Sujete las bisagras en el electrodoméstico.
¡Cambie las bisagras cruzadas!



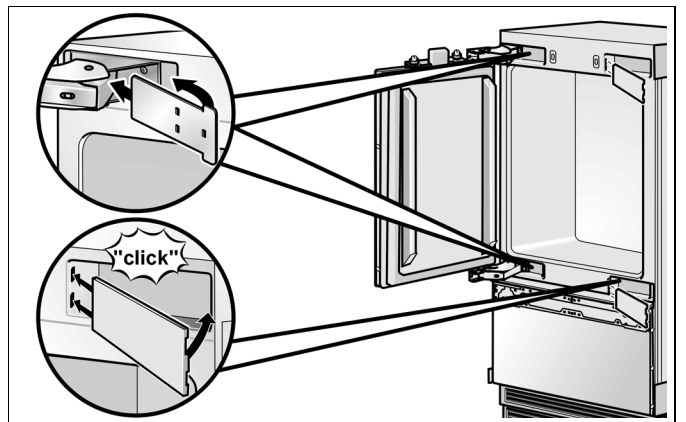
8. Sujete la puerta.



9. Tensione el muelle de la bisagra. Ajuste el tornillo de 0 a 1. Sujete luego la caja de cobertura de la bisagra.



10. Sujete luego la caja de cobertura de la bisagra.

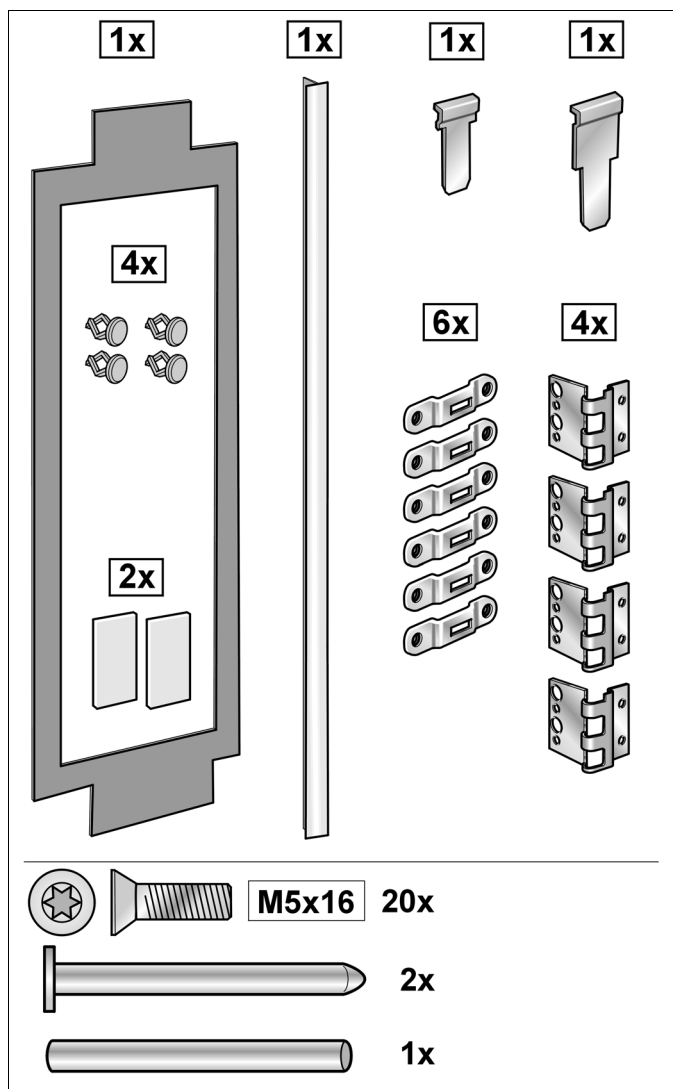


? Instalación Side-by-Side (lado a lado)

Si ha previsto un emplazamiento lado a lado, debe ahora unir ambos equipos.

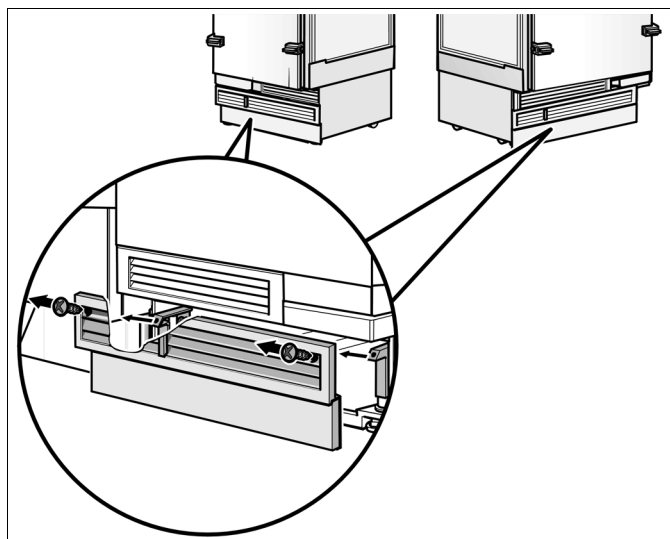
1. Desembalar los accesorios para la instalación Side-by-Side. Cerciorarse de que no faltan elementos.

Preparar los ángulos antivuelco como soportes de montaje.



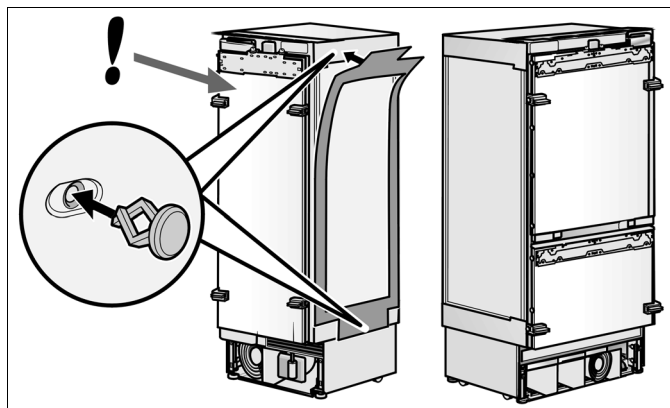
2. Ubique los electrodomésticos uno junto al otro, en la configuración deseada.

3. Desatornille las placas base.

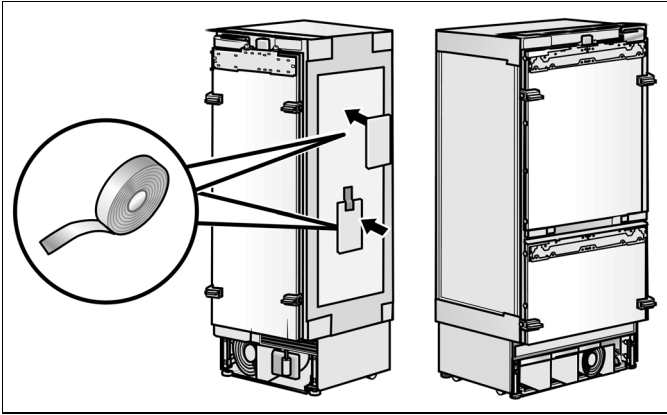


Advertencias:

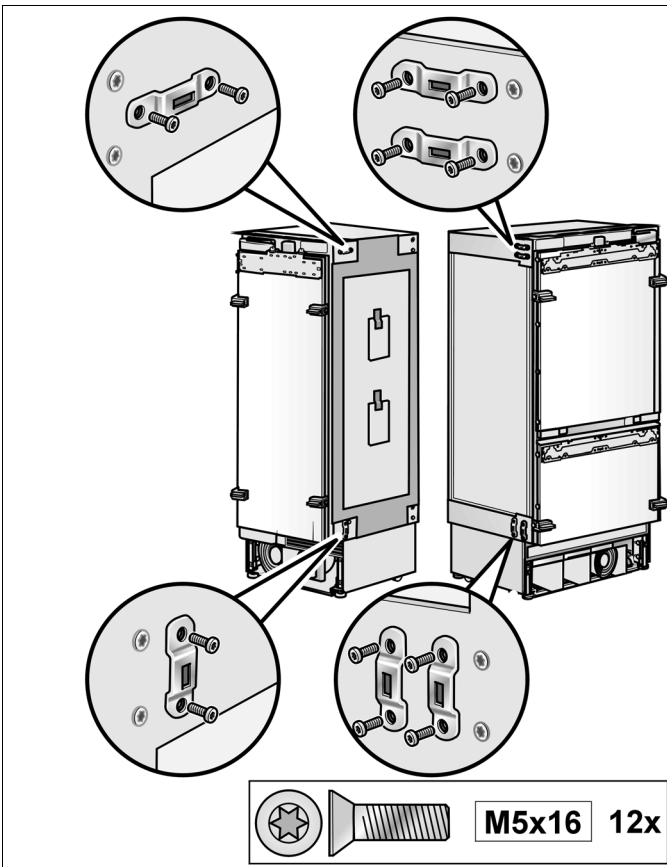
- Los congeladores vienen equipados de fábrica con una esterilla de sellado para su instalación lado a lado. Continuar la tarea en el paso 6.
 - ¡Sujetar la esterilla siempre en el electrodoméstico que se encuentra a la izquierda!
4. Pegue cinta selladora que forma parte del juego lado a lado, en los bordes alrededor de las esquinas. Sujete la cinta con los pernos.



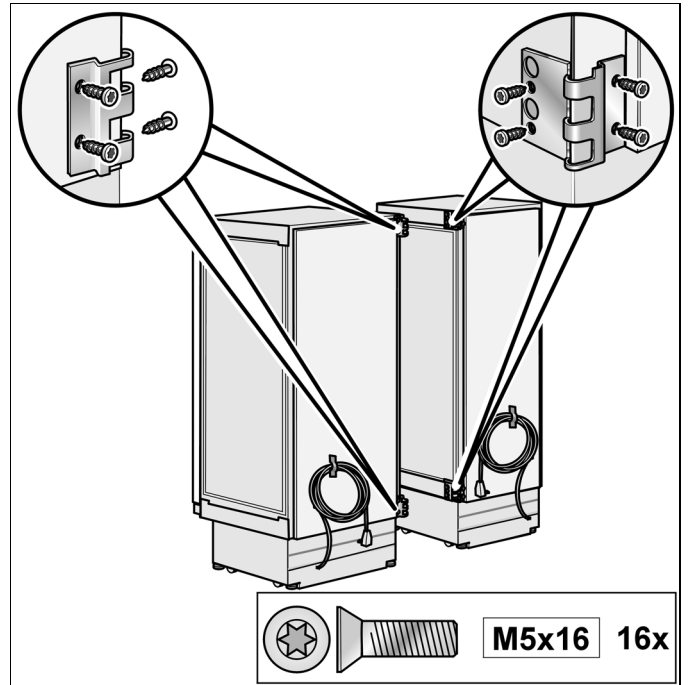
5. Ubique las planchas absorbentes (para el agua) que forman parte del juego lado a lado, sobre las paredes laterales y sujételas con cinta adhesiva.



6. Atornille las placas laterales del juego lado a lado en ambos electrodomésticos. ¡Registre la posición de ambos electrodomésticos!

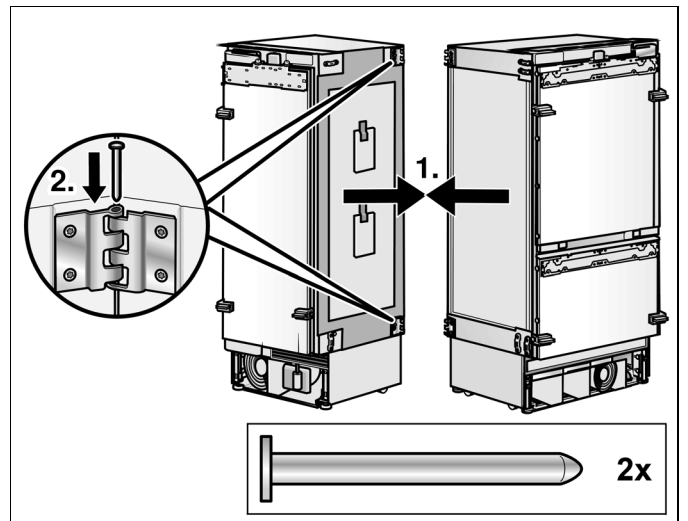


7. Atornille las mitades de las bisagras del juego lado a lado en ambos electrodomésticos.



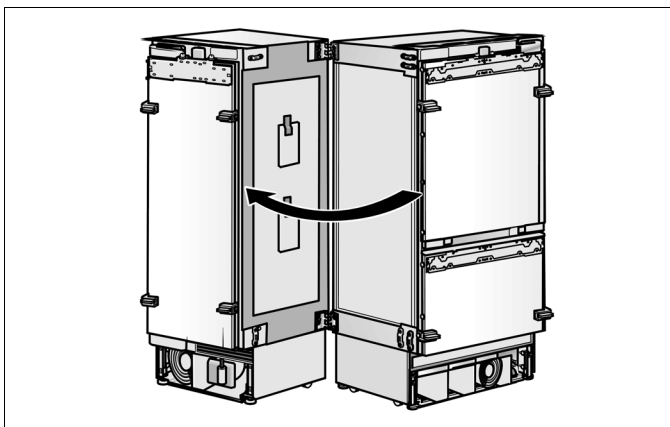
8. Junte los electrodomésticos empujándolos, hasta que las mitades de las bisagras penetren una en otra.

9. Coloque los pernos en las bisagras.

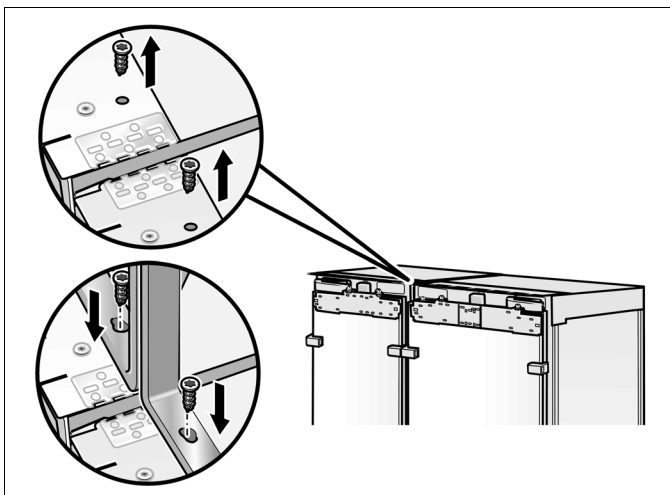




10. Junte la parte anterior de los electrodomésticos, empujándolos hasta donde sea posible.

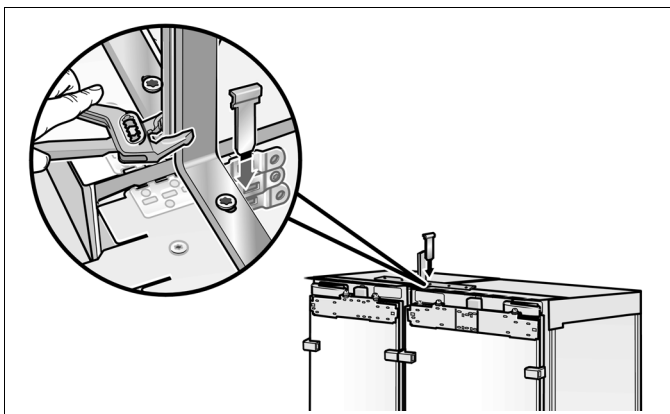


11. Afloje los tornillos en la parte superior del electrodoméstico y atornille los ángulos antivuelco como elementos auxiliares de instalación en el lado superior de ambos electrodomésticos.



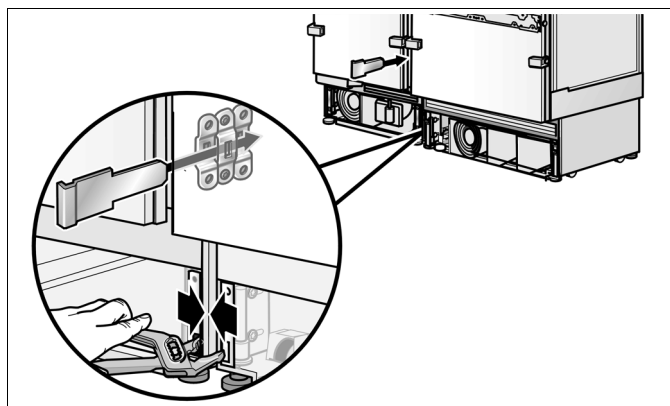
12. Junte la parte superior de los electrodomésticos mediante al pinza corrediza cocodrilo.

13. Una vez completamente juntados los electrodomésticos, inserte la barra en las placas superiores.

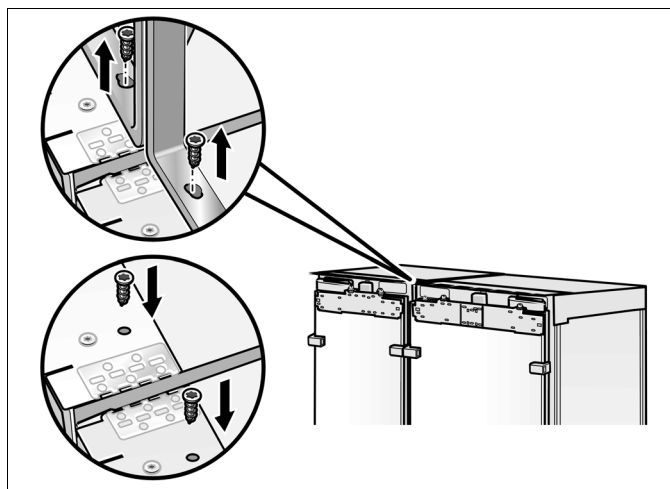


14. Junte la parte inferior de los electrodomésticos mediante una pinza corrediza cocodrilo.

15. Una vez completamente juntas las partes inferiores de los electrodomésticos, inserte la barra en las placas inferiores. Utilice una herramienta para empujar la barra en toda su longitud.



16. Quite los elementos auxiliares de instalación.



Preparación para conectar el agua

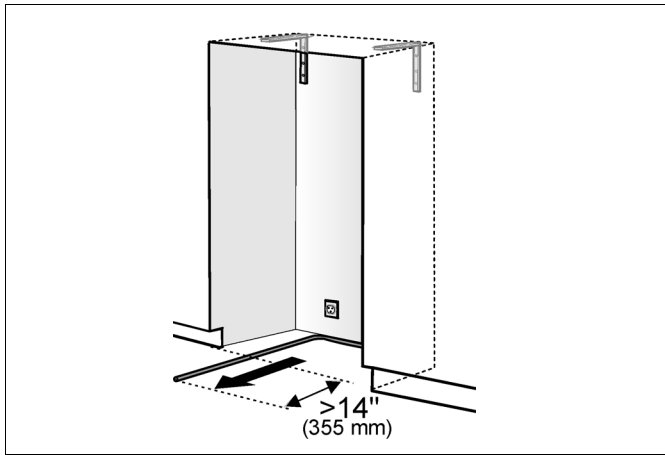
(solamente si el electrodoméstico requiere de una conexión de agua)

Nota:

Cierre la llave principal de agua, a fin de evitar daños debidos a la pérdida de agua.

1. Monte la tubería de conexión a la válvula de cierre, según las instrucciones suministradas por el fabricante de la instalación generadora de hielo.
2. Instale la tubería de conexión.

Observe siempre las medidas de separación indicadas, a fin de evitar daños en la tubería de conexión, cuando coloca el electrodoméstico en su sitio.

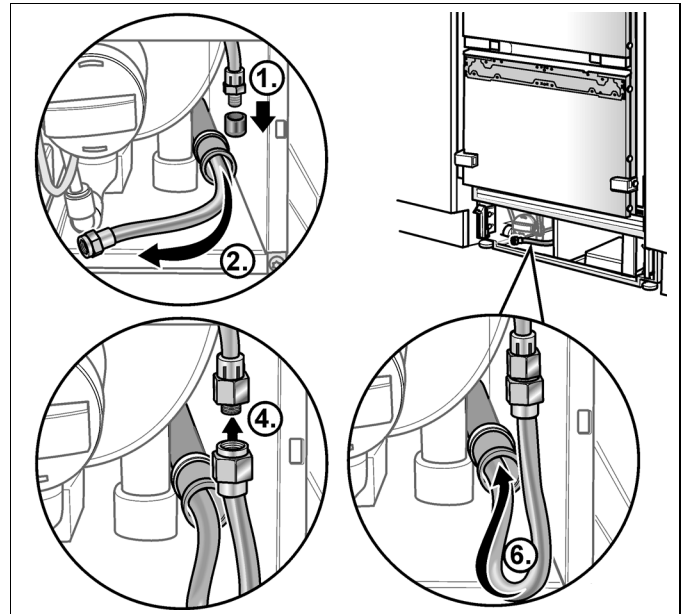


Conexión del agua al electrodoméstico

Nota:

Quando conecte la tubería de agua, no la retuerza. De lo contrario existe **el riesgo que se produzcan pérdidas de agua.**

1. Quite la capa de la conexión del electrodoméstico.
2. Doble la tubería de agua de acuerdo con la ubicación de la conexión del electrodoméstico.
3. Empuje la tuerca de unión, sellando la unión sobre la tubería de agua.
4. Empuje el extremo de la tubería de agua, hasta que penetre en la conexión del electrodoméstico y enrosque la tuerca de unión.
5. Ajuste la tuerca de unión mediante la llave de boca. ¡No fuerce la rosca!
6. Volver a conectar la línea de conexión de agua en el tubo correspondiente tan rápido como sea posible.



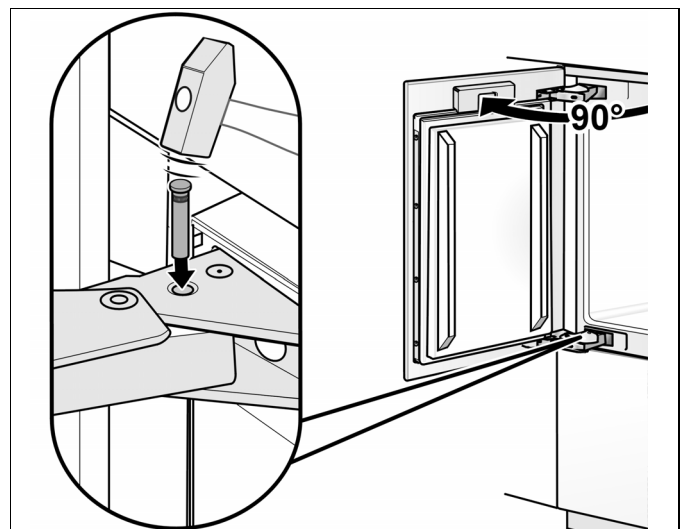
7. Abra la válvula de cierre y la llave general.
8. Controle la válvula de cierre y la conexión en el electrodoméstico, para localizar eventuales pérdidas.
9. Cierre la llave general de agua.

Ajuste del ángulo de apertura de la puerta

Dependiendo de las condiciones de instalación, puede ser necesario ajustar el ángulo de apertura de la puerta. En fábrica se ha ajustado un ángulo de apertura de 115°.

A fin de ajustar el ángulo de apertura a 90°:

1. Abrir la puerta a 90°.
2. Introducir el perno limitador a través de las dos perforaciones ahora enfrentadas, golpeando con un martillo.



Gaggenau Hausgeräte GmbH

Carl-Wery-Straße 34

D-81739 München

www.gaggenau.com

Subject to alterations.
Sous réserve de modifications.
Se reserva el derecho a efectuar modificaciones.

GAGGENAU

9000881702 (9303)
en-us, fr-ca, es-mex